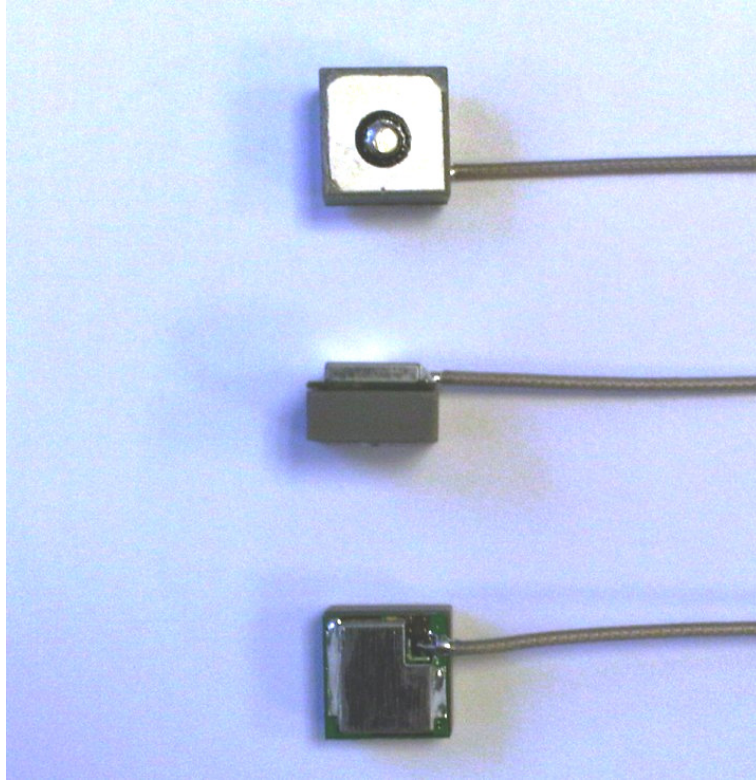




**GPS\_MOD/CH/10X4**     *Miniature GPS Module*



<b>1.1 Antenna</b>		
1	Antenna model	DAS1575R(10*10*4)
2	Frequency Range	1575.42MHz±1.02 MHz
3	V.S.W.R	1.5:1
4	Band Width	> 3 MHz
5	Impedence	50 ohm
6	Gain	-2dBic Based on 2×2cm ground plane
7	Polarization	RHCP
<b>1.2 LNA</b>		

	1	Frequency Range	1575.42MHz±1.02 MHz
	2	DC Voltage	3.0±0.3V
	3	Gain ( Typical )	18dB (Without cable +25°C±10°C)
	4	Output VSWR ( Typical )	2.0
	5	Noise Figure ( Typical )	2.0(+25°C±10°C)
	6	DC current ( Typical )	3.5mA(At3.0V) 
	<b>Material</b>		
	<b>No</b>	<b>Part Name</b>	<b>SPEC</b>
	1	Antenna	Dielectric Ceramics
	2	PCB	FR4
	3	Shielding	Tinplate
	4	RF Cable	φ0.81±0.1mm
			( L=120±10mm )
	5	RF Connector	I-PEX
	6	Thickness	MAX 7.0mm

### Testing Conditions

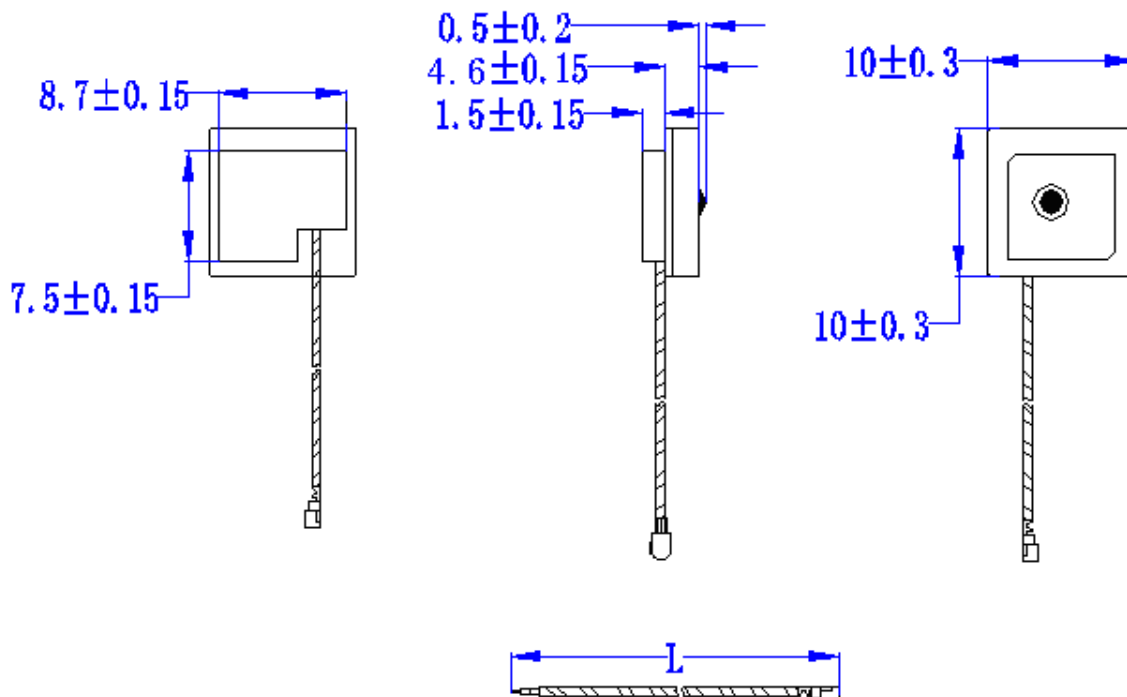
1	Working Temp	-25°C~+65°C
2	Storage Temp	-45°C~+85°C
3	Vibration	Sine sweep 1g(0-p)
		10~55~10Hz each axis
4	DC Voltage	DC=3.0±0.3V

### Notes

Electrostatic sensitive device, Observe precautions for handling.



### Structure [mm]



### radiation pattern

Far-field amplitude of 10X10X4-S @ 10X10.nsi

