

Product datasheet

Specifications



Photoelectric sensors XU, photo electric sensor, miniature, thru beam, Sn=15 m, NPN, cable 2 m

XUM2ANSBL2

⚠ To be discontinued on: 30 December 2022

⚠ To be discontinued

Main

Range of product	Telemecanique Photoelectric sensors XU
Series name	General purpose single mode
Electronic sensor type	Photo-electric sensor
Sensor name	XUM
Sensor design	Miniature
Detection system	Thru beam
Material	Plastic
Type of output signal	Discrete
Supply circuit type	DC
Wiring technique	3-wire
Discrete output type	NPN
Discrete output function	1 NO or 1 NC programmable
Electrical connection	Cable
Cable length	2 m
Emission	Infrared thru beam
[Sn] nominal sensing distance	20 m

Complementary

Enclosure material	PBT
Lens material	PMMA
Output type	Solid state
Wire insulation material	PVC
Status LED	Transmitter/supply on: 1 LED (green) Receiver/output: 1 LED (yellow) Receiver/stability: 1 LED (green)
[Us] rated supply voltage	12...24 V DC with reverse polarity protection
Supply voltage limits	10...30 V DC
Switching capacity in mA	<= 100 mA with short-circuit protection
Switching frequency	<= 500 Hz

Maximum voltage drop	<2 V
Current consumption	30 mA no-load
Maximum delay first up	300 ms
Maximum delay response	1 ms
Setting-up	Sensitivity by potentiometer
Depth	19.5 mm
Height	31.5 mm
Width	10.8 mm
Net weight	0.100 kg
Kit composition	Transmitter + receiver

Environment

Product certifications	UL 508 CSA C22-2 No 14 RCM EAC CE
Ambient air temperature for operation	-25...55 °C
Ambient air temperature for storage	-40...70 °C
Vibration resistance	+/-0.5 mm (f = 10...55 Hz)for every axis conforming to IEC 60068-2-6
Shock resistance	30 gn for for every axis conforming to IEC 60068-2-27
IP degree of protection	IP67 conforming to IEC 60529 IP54 conforming to IEC 60529

Packing Units

Unit Type of Package 1	PCE
Number of Units in Package 1	1
Package 1 Weight	110.0 g
Package 1 Height	1.488 cm
Package 1 width	12.859 cm
Package 1 Length	13.239 cm
Unit Type of Package 2	CAR
Number of Units in Package 2	15
Package 2 Weight	2.08 kg
Package 2 Height	15.2 cm
Package 2 width	14.7 cm
Package 2 Length	40.6 cm

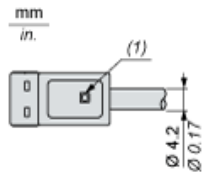
Offer Sustainability

REACH Regulation	REACH Declaration
REACH free of SVHC	Yes
EU RoHS Directive	Pro-active compliance (Product out of EU RoHS legal scope) EU RoHS Declaration
Toxic heavy metal free	Yes
Mercury free	Yes
RoHS exemption information	Yes

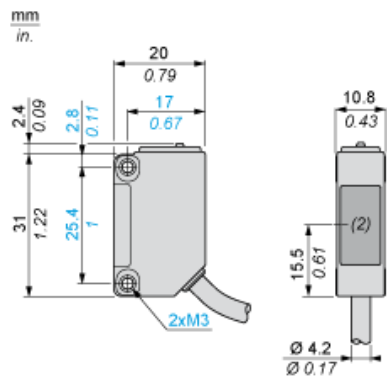
Dimensions

Transmitter. Pre-cable Version

Description



Dimensions



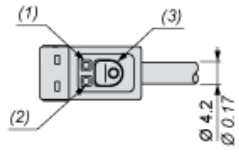
- (1) Power supply indicator (orange)
- (2) Transmission

Dimensions

Receiver. Pre-cable Version

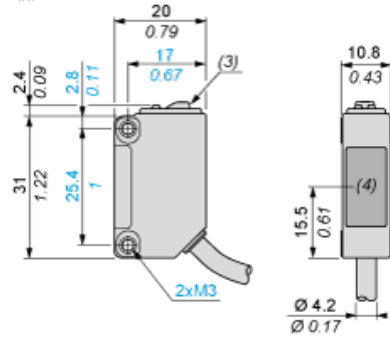
Description

mm
in.



Dimensions

mm
in.



- (1) Output indicator (orange)
- (2) Stability indicator (green)
- (3) Setting pushbutton
- (4) Reception

Connections and Schema

Pre-cabled

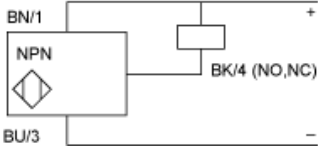
(-) : BU (Blue)

(+) : BN (Brown)

OUT/Output : BK (Black)

Connections and Schema

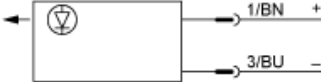
NPN



- BN :** Brown
- BU :** Blue
- BK :** Black

Connections and Schema

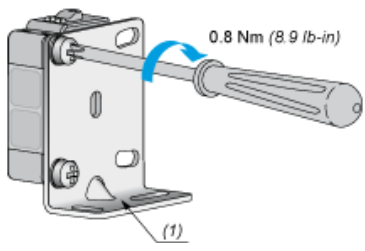
DC Transmitter



BN : Brown
BU : Blue

Mounting and Clearance

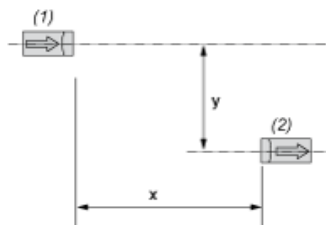
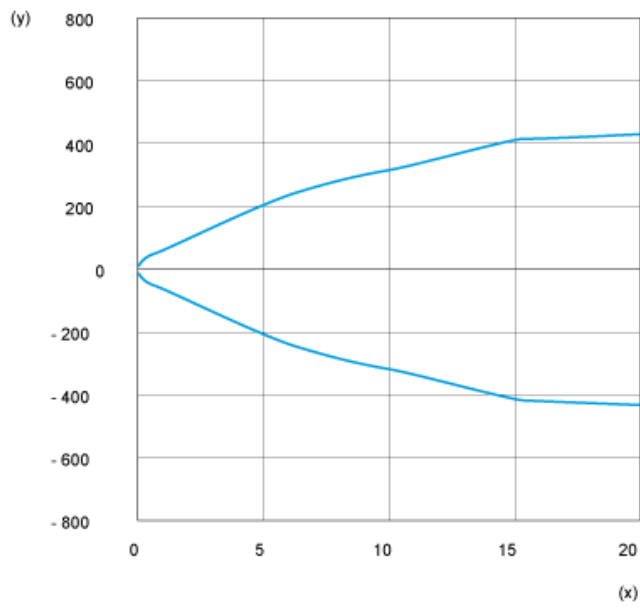
Tightening Torque



(1) Base mounting fixing bracket

Performance Curves

Thru-beam System



- (1) Transmitter
- (2) Receiver
- (y) Parallel movement in mm
- (x) Distance in m

Recommended replacement(s)