

CSE-SBRM-152-SBRM ✓ ACTIVE



SMB

TE Internal #: CSE-SBRM-152-SBRM

SMB to SMB Cable Assembly, .15 m [.5 ft], Red Cable, 4 GHz, 50 ohm, FEP Jacket, 25 AWG, 2.49 mm [.098 in] Diameter, SMB Plug End A, SMB Plug End B

[View on TE.com >](#)

Cable Assemblies > RF Cable Assemblies



Cable Assembly Type: **SMB to SMB**

Cable Assembly (End A): **SMB Plug**

Cable Assembly (End B): **SMB Plug**

Cable Assembly Length: **.15 m [.5 ft]**

Coax Cable Type: **RG 316**

Features

Product Type Features

Cable Assembly Type	SMB to SMB
Cable Assembly (End A)	SMB Plug
Cable Assembly (End B)	SMB Plug
Coax Cable Type	RG 316

Configuration Features

Number of Connectorized Ends	2
------------------------------	---

Electrical Characteristics

Impedance	50 Ω
-----------	-------------

Body Features

Body Plating Material	Gold
Jacket Material	FEP
Cable Color	Red

Contact Features

Center Contact Plating Material	Gold
---------------------------------	------

Dimensions

Outside Cable Diameter	2.49 mm [.098 in]
Wire Size	25 AWG



Usage Conditions

Operating Temperature Range	-50 – 200 °C[-58 – 392 °F]
-----------------------------	----------------------------

Operation/Application

Shielded	Yes
Operating Frequency Range	4 GHz

Other

Dielectric Material	Polytetrafluoroethylene (PTFE)
Cable Assembly Length	.15 m [.5 ft]

Product Compliance

[For compliance documentation, visit the product page on TE.com>](#)

EU RoHS Directive 2011/65/EU	Compliant
EU ELV Directive 2000/53/EC	Not Yet Reviewed
China RoHS 2 Directive MIIT Order No 32, 2016	有害物质含量符合标准要求 No Restricted Substance(s) Above Threshold
EU REACH Regulation (EC) No. 1907/2006	Current ECHA Candidate List: JUNE 2025 (250) Candidate List Declared Against: JUNE 2025 (250) Does not contain REACH SVHC
Halogen Content	Low Halogen - Br, Cl, F < 900 ppm per homogenous material. Also BFR/CFR/PVC Free
Solder Process Capability	Not reviewed for solder process capability

Product Compliance Disclaimer

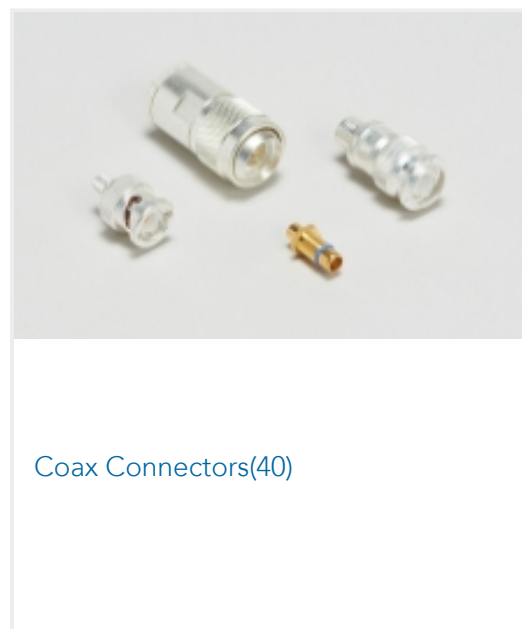
This information is provided based on reasonable inquiry of our suppliers and represents our current actual knowledge based on the information they provided. This information is subject to change. The part numbers that TE has identified as EU RoHS compliant have a maximum concentration of 0.1% by weight in homogenous materials for lead, hexavalent chromium, mercury, PBB, PBDE, DBP, BBP, DEHP, DIBP, and 0.01% for cadmium, or qualify for an exemption to these limits as defined in the Annexes of Directive 2011/65/EU (RoHS2). Finished electrical and electronic equipment products will be CE marked as required by Directive 2011/65/EU. Components may not be CE marked. Additionally, the part numbers that TE has identified as EU ELV compliant have a maximum concentration of 0.1% by weight in homogenous materials for lead, hexavalent chromium, and mercury, and 0.01% for cadmium, or qualify for an exemption to these limits as defined in the Annexes of Directive 2000/53/EC (ELV). Regarding the REACH Regulations, TE's information on SVHC in articles for this part number is still based on the European Chemical Agency (ECHA) 'Guidance on requirements for substances in articles'(Version: 2, April 2011), applying the 0.1% weight on weight concentration threshold at the finished product level. TE is aware of the European Court of Justice ruling of September 10th, 2015 also known as O5A (Once An Article Always An Article) stating that, in case of 'complex object', the threshold for a SVHC must be applied to both the product as a whole and simultaneously to each of the articles forming part of its composition. TE has evaluated this ruling based on the new ECHA "Guidance on requirements for substances in articles" (June 2017, version 4.0) and will be updating its statements accordingly.



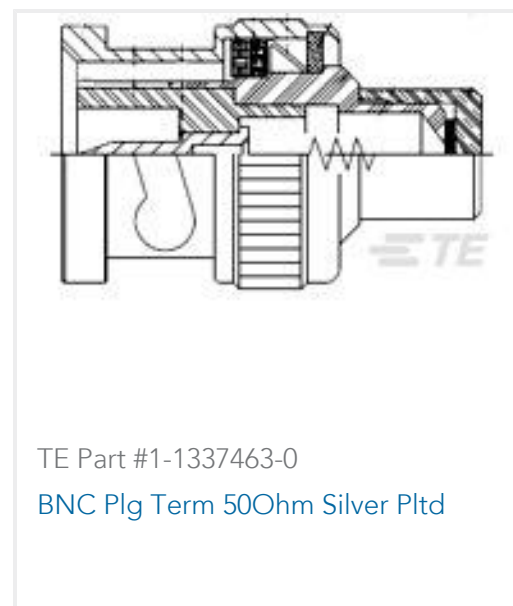
Compatible Parts



Also in the Series | SMB



Customers Also Bought





Documents

Product Drawings

[SMB to SMB 152mm RG316](#)

English

CAD Files

Customer View Model

[ENG_CVM_CVM_CSE-SBRM-152-SBRM_A.2d_dxf.zip](#)

English

Customer View Model

[ENG_CVM_CVM_CSE-SBRM-152-SBRM_A.3d_igs.zip](#)

English

Customer View Model

[ENG_CVM_CVM_CSE-SBRM-152-SBRM_A.3d_stp.zip](#)

English

3D PDF

3D

By downloading the CAD file I accept and agree to the [Terms and Conditions](#) of use.

Datasheets & Catalog Pages

[SMB Plug to SMB Plug Cable Assembly](#)

English