

PRODUCT INSTRUCTIONS  
**ELECTRONIC DIGITAL INDICATORS**  
EDI 25 & EDI 37

## SPECIFICATIONS

<b>Feature</b>	<b>EDI-25 (RS 841-2564)</b>	<b>EDI-37 (RS 724-4030)</b>
Dial Face:	57mm/2-1/4"	57mm/2-1/4"
Digit Size:	12.5mm	12.5mm
Clamping method:	8mm stem & central lug back	8mm stem & central lug back
Contact point:	Ball type, M2.5mm thread	Ball type, M2.5mm thread
Measuring range:	25mm/1"	25mm/1"
Resolution:	0.01mm/0.001"	0.001mm/0.00005"
Accuracy:	±0.03mm	±0.005mm
Response speed:	<0.5m/s	<0.5m/s
Power:	1 x SR44	1 x SR44
Operating temperature:	0-40°C	0-40°C
Storage temperature:	minus 20-70°C	minus 20-70°C
Relative humidity:	<80%	<80%

## PRODUCT USE

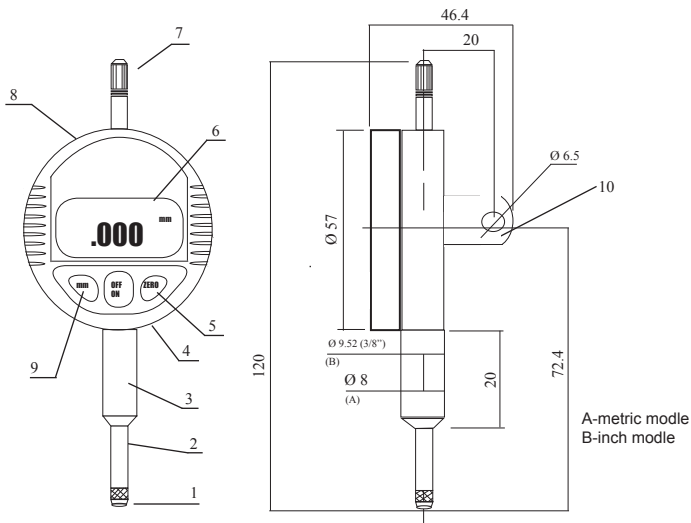
Clean spindle and contact point with a soft cloth before using.  
Press On / Off switch to power up Indicator.  
Select Metric or Inch measurement.  
Press Zero Button when Contact Point is touching datum surface.  
Instrument is now ready for use.

## PRODUCT CARE

Indicator face and spindle should be kept clean and dry.  
Do not connect any part of indicator to a voltage supply.  
Avoid shocks and impact to spindle and dial face.  
Remove battery if not being used for a long period.

## NOMENCLATURE

- 1: Contact Point
- 2: Spindle
- 3: Stem
- 4: On / Off Switch
- 5: Zero Setting
- 6: LCD Display
- 7: Spindle Top
- 8: Battery Compartment
- 9: Metric / Inch Selection
- 10: Central Backlug



## BATTERY REPLACEMENT

Remove battery compartment cover and remove old battery from holder.  
Fit new battery into holder with positive side facing upwards. Replace holder and battery into Indicator.

## TROUBLESHOOTING

Fault	Cause	Action
5 digits appear & change rapidly	Low battery power	Replace battery
Display not working when battery is changed	Circuit locked when changing battery due to faulty contact	Remove battery & replace after 30 seconds
Reading error over full travel greater than 0.1mm	Ingress of dirt has damaged or covered sensor	Remove cover & slider assembly, clean with an industrial non-chlorinated solvent
Nothing appears on display	Battery contact is poor or voltage below 1.1v	Replace battery ensuring contacts are in good condition