



Datasheet

RS PRO Hermetically Sealed Enclosures

Stock number: 1862271

EN



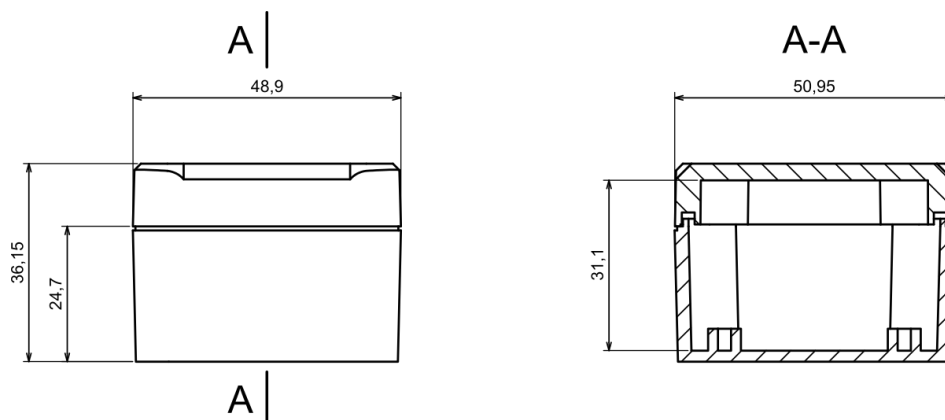
Product Details

Hermetic enclosure ideal for applications requiring protection against water ingress. Supplied with silicon gasket that provides IP65 rating.

Features and Benefits

- Made of ABS
- Available in light gray color
- Protection against liquids and solid objects: IP65 rating
- Protection against mechanical impacts: IK09 rating
- Supplied with silicon gasket and four screws

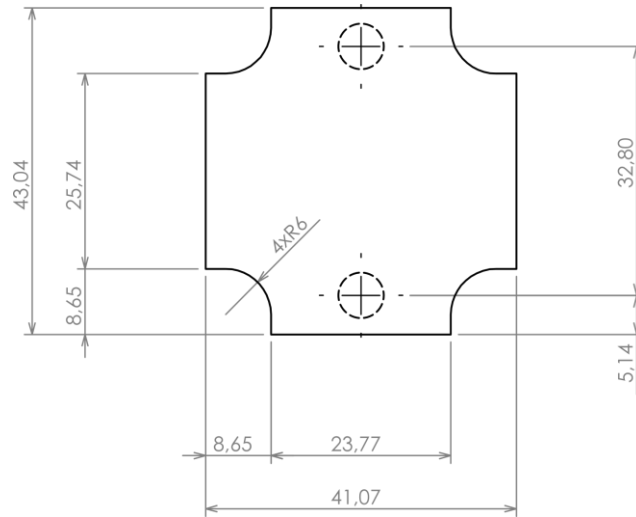
rspro.com



Category	Hermetically sealed Enclosures
Type	Full
Material	ABS
Variant	Hermetic (with silicon gasket) (H)
Height	36.2 mm
Width	48.9 mm
Length	51.0 mm
Color	Lightgray (J)
Protection level	IP65
Shock protection level	IK09
Standard Met	RoHS Compliant
Accessories	Screw 3.5/20: 2 pcs
Certificate number	CE/032/18



Max PCB size



Dashed line shows outline of the mounting boss under PCB board
Recommended mounting holes diameter $\varnothing 3,5$ mm