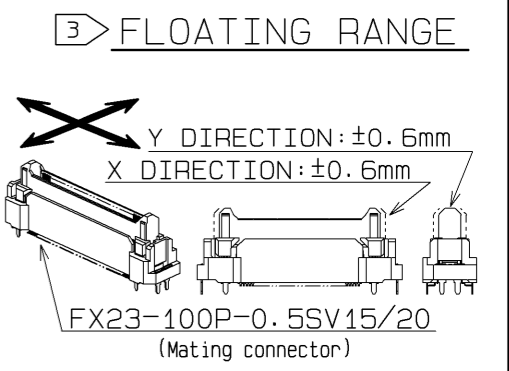
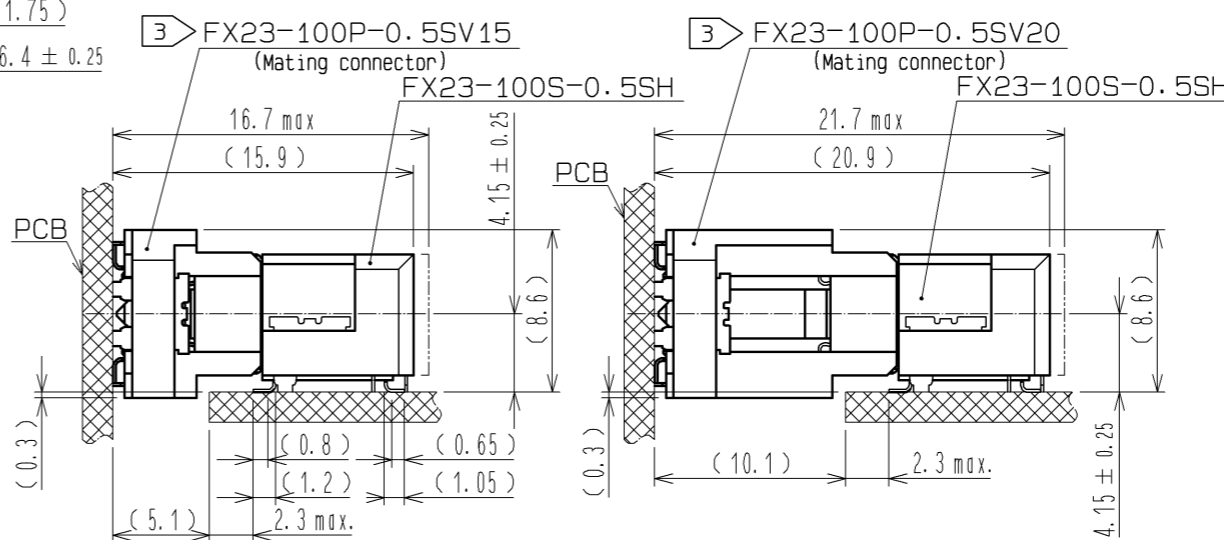
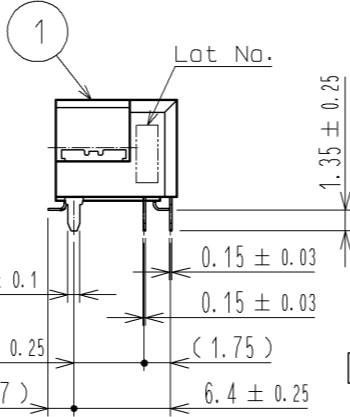
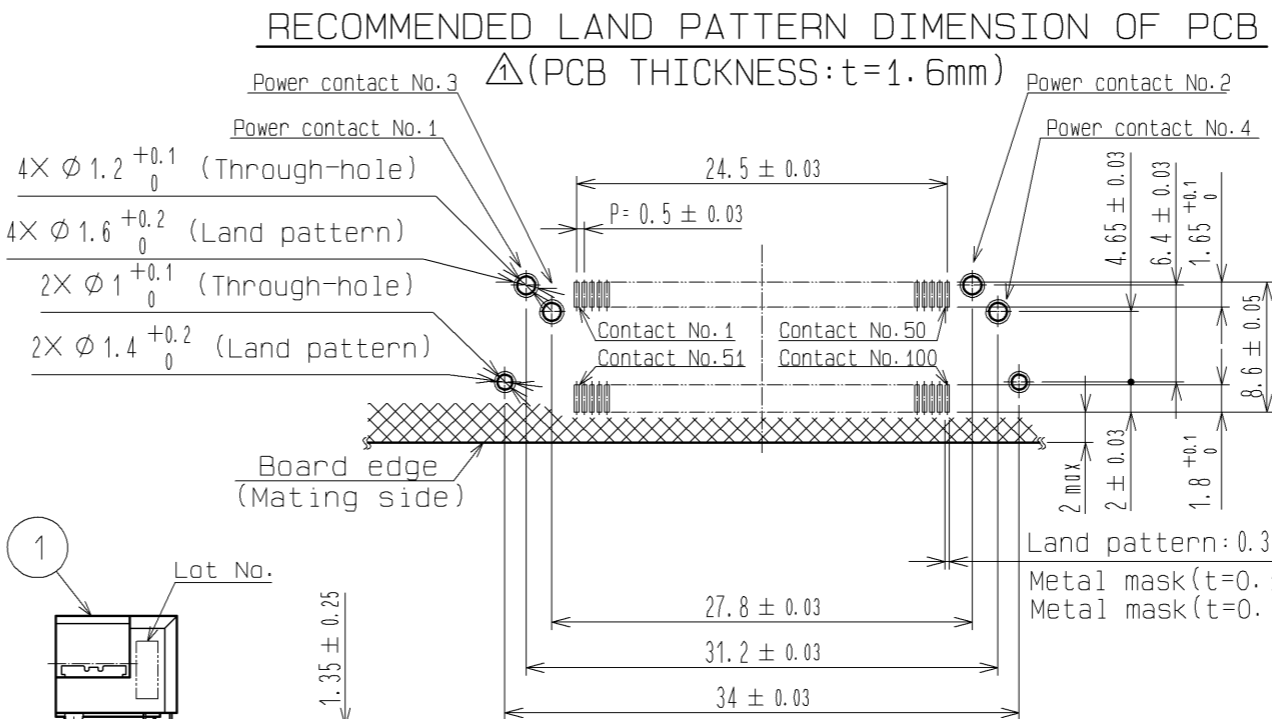
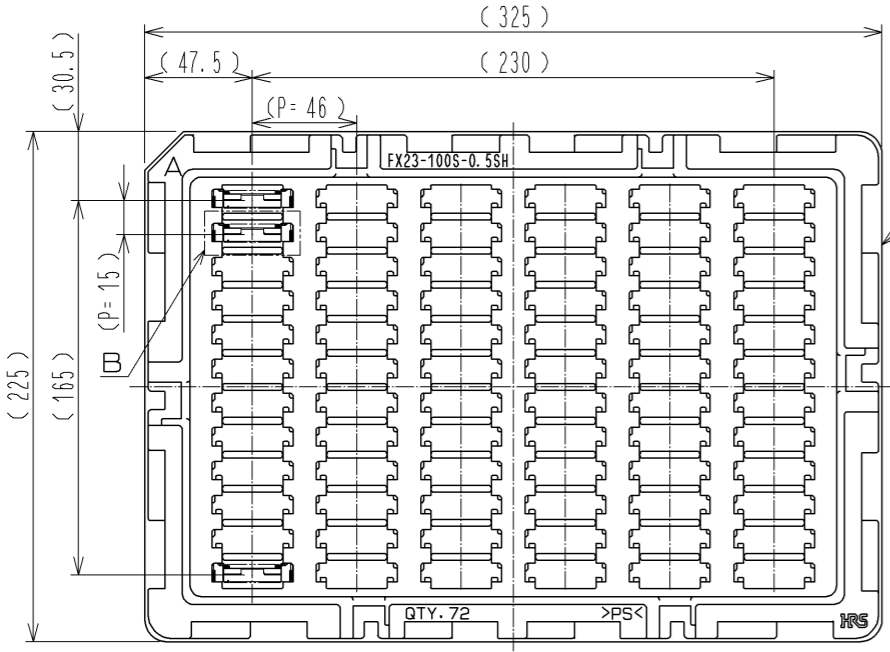
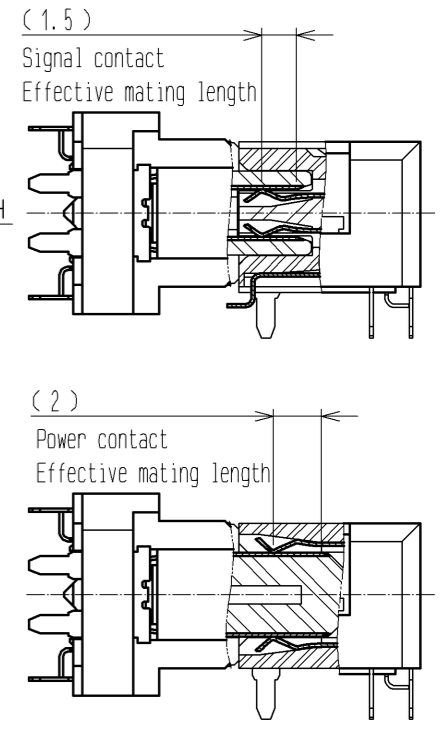


2 DRAWING FOR PACKING (No scale)



CROSS SECTION OF MATING (No scale)



- Lead CO-Planarity is 0.1mm MAX.
- This is packaged in tray. (72pcs/tray)
- Floating range of this connector is ±0.6mm MAX.
- It shows the vacuum pickup area.
- Blemish and hit mark can be occurred through out the manufacturing process which doesn't affect quality level.
- The dimensions in parentheses are for references.

NO.	MATERIAL	FINISH	REMARKS	NO.	MATERIAL	FINISH	REMARKS
2, 3	COPPER ALLOY		CONTACT AREA: GOLD 0.1 μm LEAD AREA: GOLD 0.03 μm UNDER PLATING: NICKEL 1.3 μm	7	POLYSTYRENE		(TRAY)
1	LCP		BLACK UL94V-0	6	BRASS		LEAD AREA: TIN-PLATING 3 μm UNDER PLATING: NICKEL 1 μm
				4, 5	COPPER ALLOY		CONTACT AREA: GOLD 0.1 μm LEAD AREA: TIN-PLATING 1 μm UNDER PLATING: NICKEL 1.3 μm

UNITS	SCALE	COUNT	DESCRIPTION OF REVISIONS	DESIGNED	CHECKED	DATE
mm	2 : 1	1	DIS-F-007547	TS.00NO	HS.OKAWA	14.09.04
APPROVED : HS. OKAWA			14.07.22	DRAWING NO. EDC3-353569-00		
CHECKED : KN. SHIBUYA			14.07.22	PART NO. FX23-100S-0.5SH		
DESIGNED : TS.00NO			14.07.22	CODE NO. CL573-3405-0-00		
DRAWN : TS.00NO			14.07.22			

