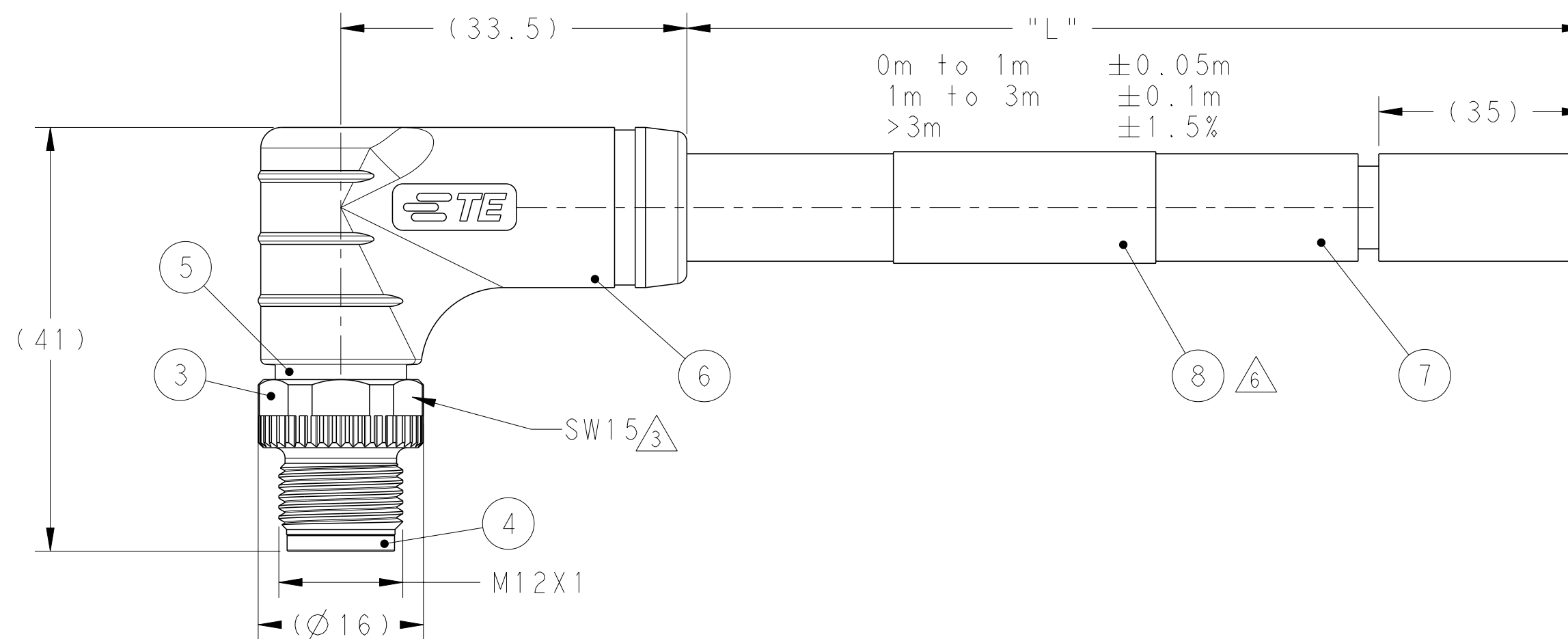


THIS DRAWING IS UNPUBLISHED. RELEASED FOR PUBLICATION
 © COPYRIGHT copyright.d8te ALL RIGHTS RESERVED.

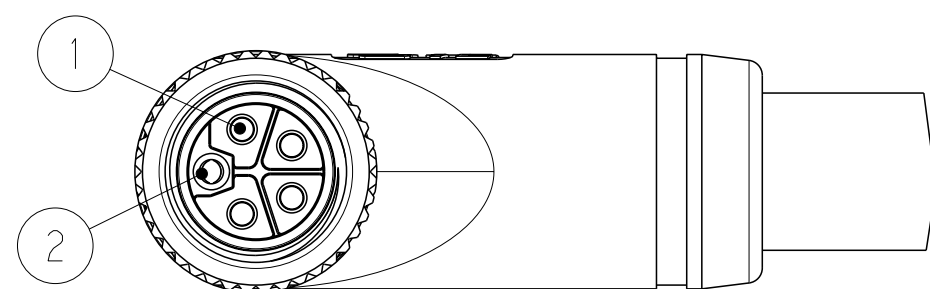
ITEM	DESCRIPTION	MATERIAL	OTHERS
1	MALE CONTACT	COPPER ALLOY	GOLD PLATED
2	FE FEMALE CONTACT	COPPER ALLOY	GOLD PLATED
3	MALE NUT	COPPER ALLOY	NICKEL PLATED
4	MALE HOUSING	NYLON	BLACK 4P GRAY 5P
5	METAL SHELL	COPPER ALLOY	NICKEL PLATED
6	CONNECTOR GRIP	TPU	BLACK
7	CABLE	PVC/PUR JACKET	BLACK OR GRAY
8	LABEL	-	-

REVISIONS				
P	LTR	DESCRIPTION	DATE	APVD
	A	NEW RELEASE	01FEB2021	AZ CW

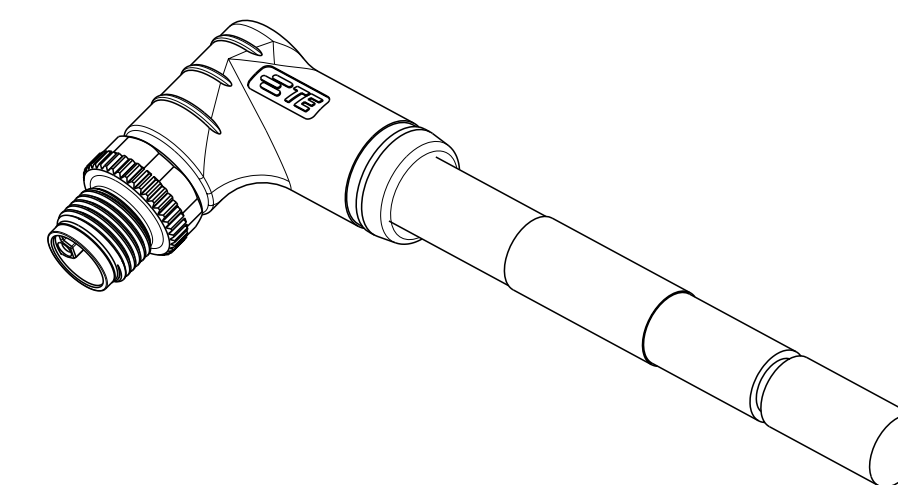
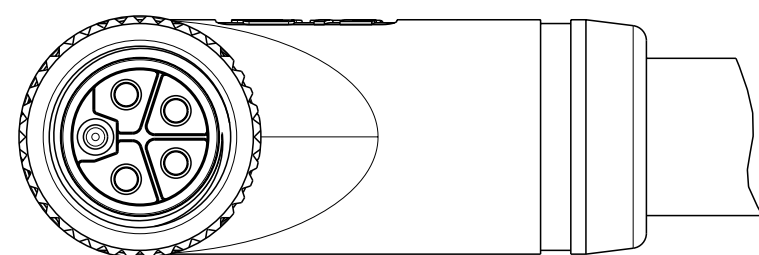
- NOTE:
- △1. TECHNICAL DATA SEE TABLE1
 - △2. CODE POSITION INDICATOR
 - △3. RECOMMENDED TORQUE 0.6 Nm
 - △4. -**:CABLE LENGTH, FOR EXAMPLE: -0.5M
 - 5. CABLE ASSEMBLY TO BE PACKAGED IN POLYBAGS
 - △6. LABEL CONTAINS: PN, DATE CODE...



5 POLE AS SHOWN △2



4 POLE AS SHOWN △2



SCALE 1:1

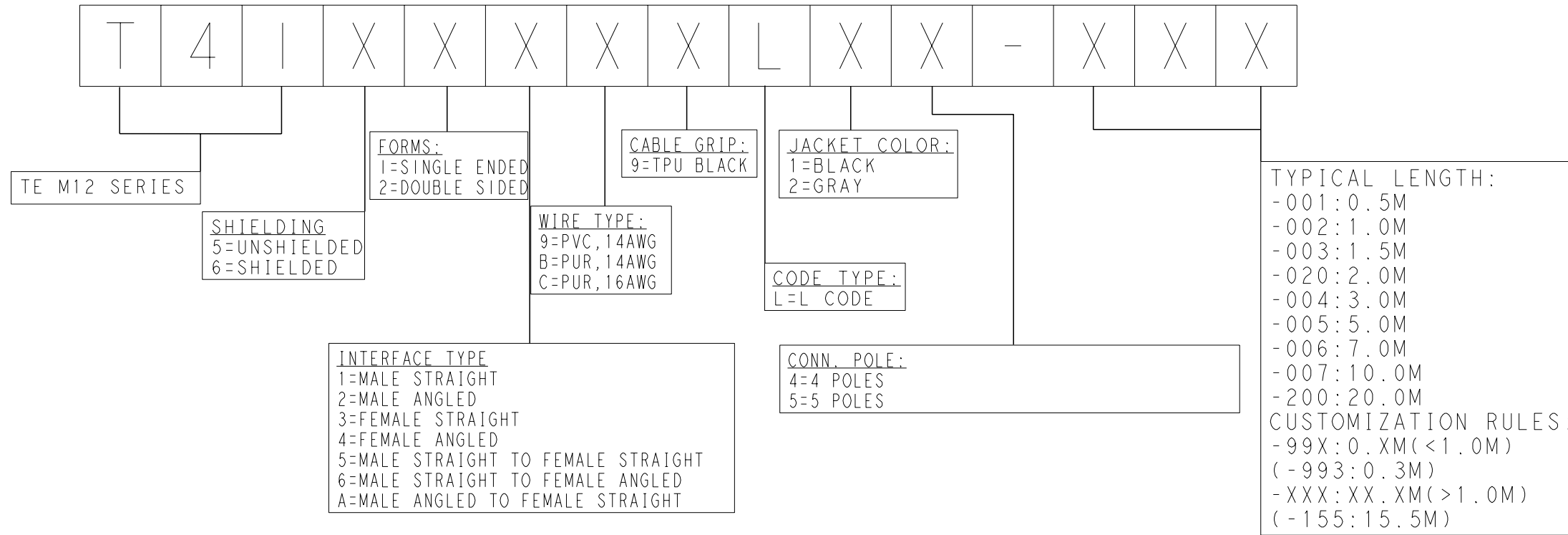
TABLE 1	
TECHNICAL DATA	
RATED VOLTAGE	63V
RATED IMPULSE VOLTAGE	1500V
RATED CURRENT	16A/14AWG 12A/16AWG
POLLUTION DEGREE	3
OVERVOLTAGE CATEGORY	III
DEGREE OF PROTECTION	IP67

THIS DRAWING IS A CONTROLLED DOCUMENT.		DWN	04NOV2020	STE TE Connectivity	
DIMENSIONS:		CHK	ALEX ZHANG	NAME M12 L CODE CORDSETS MALE ANGLED	
mm		CHK	HART HE		
TOLERANCES UNLESS OTHERWISE SPECIFIED:		APVD	CHRIS WANG		
0 PLC ±1		PRODUCT SPEC	108-137350		
1 PLC ±0.5		APPLICATION SPEC	114-137144	SIZE	A2
2 PLC ±0.30		WEIGHT	-	CAGE CODE	-
3 PLC ±-		CUSTOMER DRAWING	-	DRAWING NO	G-T41X12XXLXXXX
4 PLC ±-		SCALE	2:1	SHEET	1 OF 2
ANGLES ±-		RESTRICTED TO	-	REV	A
FINISH ±-					

THIS DRAWING IS UNPUBLISHED. RELEASED FOR PUBLICATION
 © COPYRIGHT copyright.d8Te- ALL RIGHTS RESERVED.

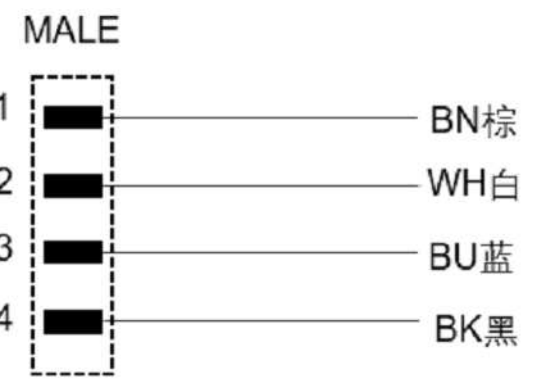
REVISIONS				
P	LTR	DESCRIPTION	DATE	APVD
-		SEE SHEET 1	-	-

TE PN CODING:

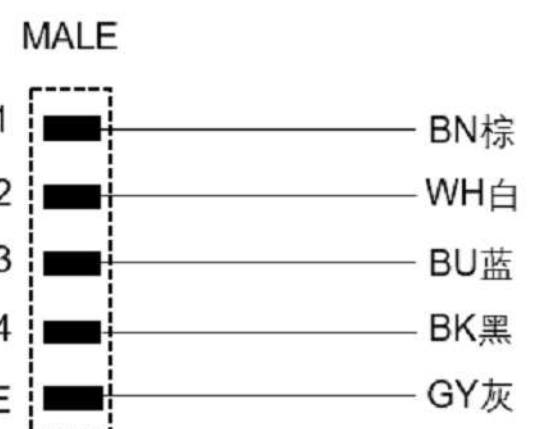


CIRCUIT DIAGRAM L CODE

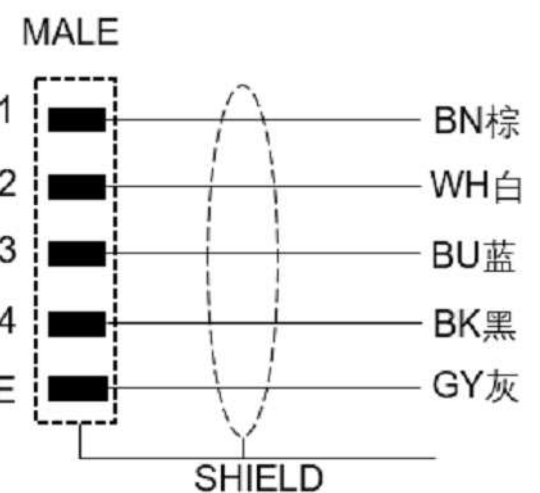
CIRCUIT DIAGRAM UNSHIELDED 4P



CIRCUIT DIAGRAM UNSHIELDED 5P



CIRCUIT DIAGRAM SHIELDED 5P



<p>WIRES: 5X14AWG JACKET: PUR GRAY WIRE COLOR: BROWN/WHITE/BLUE/BLACK/GRAY OD: APPROX. 10.40mm TEMPERATURE RATING: 80°C UL TEMP RATING: -50°C TO +80°C FIXED -30°C TO +80°C MOVED SUITABLE FOR DRAG CHAIN APPLICATIONS</p>	<p>WIRES: 5X16AWG JACKET: PUR GRAY WIRE COLOR: BROWN/WHITE/BLUE/BLACK/GRAY OD: APPROX. 9.10mm TEMPERATURE RATING: 80°C UL TEMP RATING: -50°C TO +80°C FIXED -30°C TO +80°C MOVED SUITABLE FOR DRAG CHAIN APPLICATIONS</p>
<p>WIRES: 5X14AWG JACKET: PUR GRAY WIRE COLOR: BROWN/WHITE/BLUE/BLACK/GRAY OD: APPROX. 9.65mm TEMPERATURE RATING: 80°C UL TEMP RATING: -50°C TO +80°C FIXED -30°C TO +80°C MOVED SUITABLE FOR DRAG CHAIN APPLICATIONS</p>	<p>WIRES: 5X14AWG JACKET: PVC GRAY WIRE COLOR: BROWN/WHITE/BLUE/BLACK/GRAY OD: APPROX. 10.1mm TEMPERATURE RATING: 80°C UL TEMP RATING: -40°C TO +80°C FIXED -20°C TO +80°C MOVED</p>
<p>WIRES: 4X16AWG JACKET: PUR BLACK WIRE COLOR: BROWN/WHITE/BLUE/BLACK OD: APPROX. 8.4mm TEMPERATURE RATING: 80°C UL TEMP RATING: -50°C TO +80°C FIXED -30°C TO +80°C MOVED SUITABLE FOR DRAG CHAIN APPLICATIONS</p>	<p>WIRES: 4X14AWG JACKET: PVC BLACK WIRE COLOR: BROWN/WHITE/BLUE/BLACK OD: APPROX. 9.5mm TEMPERATURE RATING: 80°C UL TEMP RATING: -40°C TO +80°C FIXED -20°C TO +80°C MOVED</p>

TYPICAL LENGTH:
-001: 0.5M
-002: 1.0M
-003: 1.5M
-020: 2.0M
-004: 3.0M
-005: 5.0M
-006: 7.0M
-007: 10.0M
-200: 20.0M
CUSTOMIZATION RULES:
-99X: 0.XM (<1.0M)
(-993: 0.3M)
-XXX: XX.XM (>1.0M)
(-155: 15.5M)

CABLE CHARACTERISTIC	LENGTH "L"	TYPE	POS.	HSG COLOR	SHIELDING	TABLE 2 TE PN
----------------------	------------	------	------	-----------	-----------	---------------

RPC-M12L-5MR-**-SH PUR 14AWG GY	4	5	GRAY	Y	T41612B9L25-XXX	17
RPC-M12L-5MR-**-PUR 16AWG GY	4	5	GRAY	N	T41512C9L25-XXX	16
RPC-M12L-5MR-**-PUR 14AWG GY	4	5	GRAY	N	T41512B9L25-XXX	16
RPC-M12L-5MR-**-PVC 14AWG GY	4	5	GRAY	N	T4151299L25-XXX	16
RPC-M12L-4MR-**-PUR 16AWG BK	4	4	BLACK	N	T41512C9L14-XXX	15
RPC-M12L-4MR-**-PVC 14AWG BK	4	4	BLACK	N	T4151299L14-XXX	15

THIS DRAWING IS A CONTROLLED DOCUMENT.

DWN: ALEX ZHANG 04NOV2020
 CHK: HART HE 04NOV2020
 APVD: CHRIS WANG 04NOV2020

STE TE Connectivity

NAME: M12 L CODE CORDSETS MALE ANGLED

PRODUCT SPEC: 108-137350
 APPLICATION SPEC: 114-137144

SIZE: A2 CAGE CODE: - DRAWING NO: G-T41X12XXLXXXXX RESTRICTED TO: -

MATERIAL: - DIMENSIONS: mm TOLERANCES UNLESS OTHERWISE SPECIFIED: 0 PLC ±1, 1 PLC ±0.5, 2 PLC ±0.30, 3 PLC ±, 4 PLC ±, ANGLES ±, FINISH -

CUSTOMER DRAWING SCALE: 1:1 SHEET: 2 OF 2 REV: A