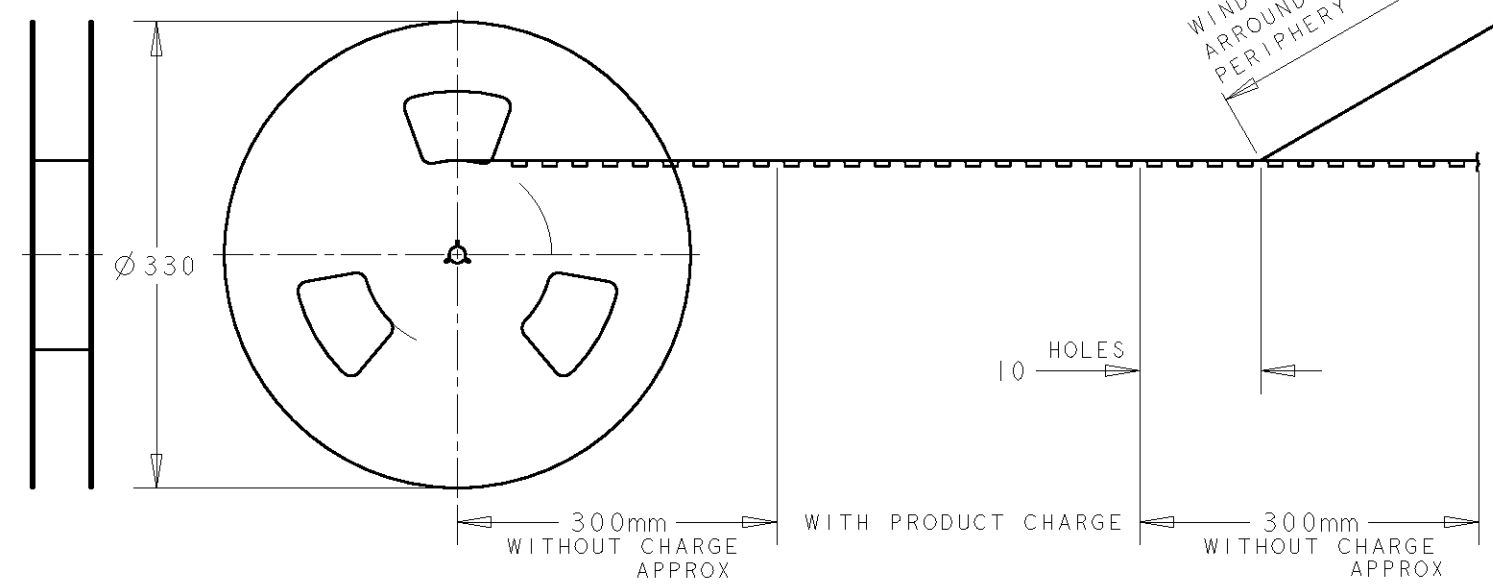
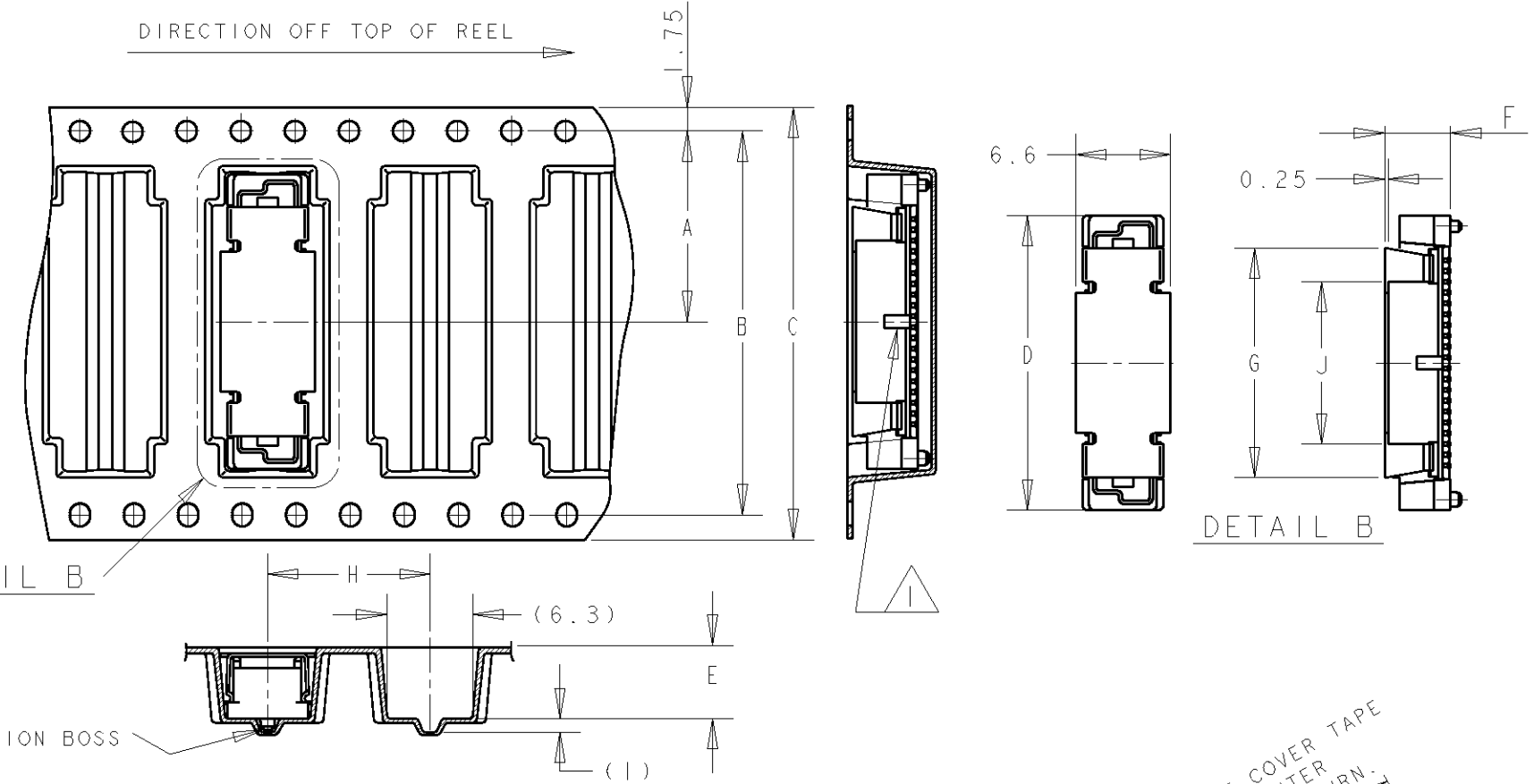


THIS DRAWING IS UNPUBLISHED. RELEASED FOR PUBLICATION
 © COPYRIGHT BY ALL RIGHTS RESERVED.

LOC		DIST		REVISIONS					
DY		-		P	LTR	DESCRIPTION	DATE	DWN	APVD
				E1		REVISED PER ECO-11-005139	19MAR11	RK	HMR

- Notes:
- 1 CUTOUT FEATURE AVAILABLE ONLY ON 5H ASSY P/N -1 (40P) AND -2 (60P).
 - 2 0.00038 MIN GOLD PLATING (15u INCHES GOLD PLATING)

0.00076 MIN GOLD PLATING (30u INCHES GOLD PLATING)	450									61.8	88	84.4	42.2	140	1-	-6	7-	-6	
										53.8				120	1-	-5	7-	-5	
										45.8	72	68.4	34.2	100	1-	-4	7-	-4	
										37.8	56	52.4	26.2	80	1-	-3	7-	-3	
	700	7H	12			6.85	7.25			29.8	44	40.4	20.2	60	1-	-2	7-	-2	
										21.8	32	28.4	14.2	40	1-5179030-1				7-5177986-1
										69.8				160		-8	6-	-8	
										61.8	88	84.4	42.2	140		-6	6-	-6	
										53.8				120		-5	6-	-5	
										45.8	72	68.4	34.2	100		-4	6-	-4	
									37.8	56	52.4	26.2	80		-3	6-	-3		
									29.8	44	40.4	20.2	60		-2	6-	-2		
									69.8				160		-8	5-	-8		
									61.8	88	84.4	42.2	140		-6	5-	-6		
									53.8				120		-5	5-	-5		
									45.8	72	68.4	34.2	100		-4	5-	-4		
									37.8	56	52.4	26.2	80		-3	5-	-3		
									29.8	44	40.4	20.2	60		-2	5-	-2		
	900	5H	12	12	17	4.85	5.25		21.8	32	28.4	14.2	40	5084614-1				5-5177986-1	
0.00002 MIN GOLD PLATING (7.8u INCHES GOLD PLATING)	450	7H	12	16	17	6.85	7.25		53.8	72	68.4	34.2	120	3-5179030-5				4-5177986-5	
									85.8				200	1-	-0	4-	-0		
									77.8	104	100.4	50.2	180		-9	3-	-9		
									69.8				160		-8	3-	-8		
									61.8	88	84.4	42.2	140		-6	3-	-6		
									53.8				120		-5	3-	-5		
									45.8	72	68.4	34.2	100		-4	3-	-4		
									37.8	56	52.4	26.2	80		-3	3-	-3		
									29.8	44	40.4	20.2	60		-2	3-	-2		
		600	8H	12			7.85	8.25		21.8	32	28.4	14.2	40	5179031-1				3-5177986-1
									85.8				200	1-	-0	3-	-0		
									77.8	104	100.4	50.2	180		-9	2-	-9		
									69.8				160		-8	2-	-8		
									61.8	88	84.4	42.2	140		-6	2-	-6		
									53.8				120		-5	2-	-5		
									45.8	72	68.4	34.2	100		-4	2-	-4		
									37.8	56	52.4	26.2	80		-3	2-	-3		
									29.8	44	40.4	20.2	60		-2	2-	-2		
	700	7H	12			6.85	7.25		21.8	32	28.4	14.2	40	5179030-1				2-5177986-1	
									61.8	88	84.4	42.2	140		-6	1-	-6		
									53.8				120		-5	1-	-5		
									45.8	72	68.4	34.2	100		-4	1-	-4		
									37.8	56	52.4	26.2	80		-3	1-	-3		
									29.8	44	40.4	20.2	60		-2	1-	-2		
									69.8				160		-8		-8		
									61.8	88	84.4	42.2	140		-6		-6		
									53.8				120		-5		-5		
									45.8	72	68.4	34.2	100		-4		-4		
									37.8	56	52.4	26.2	80		-3		-3		
									29.8	44	40.4	20.2	60		-2		-2		
	800	6H	12			5.85	6.25		21.8	32	28.4	14.2	40	5179029-1				1-5177986-1	
									69.8				160		-8		-8		
									61.8	88	84.4	42.2	140		-6		-6		
									53.8				120		-5		-5		
									45.8	72	68.4	34.2	100		-4		-4		
									37.8	56	52.4	26.2	80		-3		-3		
									29.8	44	40.4	20.2	60		-2		-2		
	900	5H	12	12	17	4.85	5.25		21.8	32	28.4	14.2	40	5177984-1				5177986-1	



REMARKS	QTY	HEIGHT TYPE	J	H	G	F	E	D	C	B	A	POS	CONN P/N	PART NO.
---------	-----	-------------	---	---	---	---	---	---	---	---	---	-----	----------	----------

DOWNSHIP: FLORENCE TAN 30AUG04		STE TE Connectivity	
CHECKED: ERIC TNG		NAME: PLUG ASSEMBLY (0.5 BOSS LENGTH) FOR FH 0.8 B-T-B CONN. ON TAPING	
APPROVED: SEI FONG		SIZE: A3	
PRODUCT SPEC: 108-5390		CAGE CODE: 00779	
APPLICATION SPEC: 114-5254		DRAWING NO: C-5177986	
MATERIAL: -		WEIGHT: -	
FINISH: -		SCALE: 2:1	
CUSTOMER DRAWING		SHEET 1 OF 1	
		REV: E1	