

Overview



The load cell is suitable for small platform scales with one load cell (max. platform size 400 x 400 mm (15.75 x 15.75 inch)) as well as for use in medium accuracy weighing machines of Class III with a max. scale verification intervals $n_{\max} = 3000d$.

Design

The load cell is hermetically sealed.

Technical specifications

SIWAREX WL260 SP-S AA	
Possible applications	<ul style="list-style-type: none"> Platform scales Small belt scales
Model	Single point load cell
Loads	
Rated load E_{\max}	<ul style="list-style-type: none"> 3 kg (6.61 lb) 5 kg (11.02 lb) 10 kg (22.05 lb) 20 kg (44.09 lb) 50 kg (110.23 lb) 100 kg (220.46 lb)
Minimum initial loading E_{\min}	0% E_{\max}
Maximum working load L_U	150% E_{\max}
Break load L_D	300% E_{\max}
Maximum lateral load L_{lq}	100% E_{\max}
Measurement characteristic values	
Rated measuring path h_n at E_{\max}	< 0.6 mm (0.05 in)
Rated characteristic value C_n	2.0 ± 0.2 mV/V
Tolerance D_0 of zero signal	< $\pm 2\%$ C_n
Maximum scale interval n_{lc}	3 000
Min. load cell verification interval V_{\min}	$E_{\max}/12$ 000
Combined error F_{comb}	$\pm 0.02\%$ C_n
Repeatability F_v	$\pm 0.017\%$ C_n
Creep error F_{cr}	$\pm 0.02\%$ C_n
• 30 min	
Temperature coefficient	
• Zero signal T_{K0}	0.017% $C_n/5$ K
• Characteristic value T_{Kc}	0.014% $C_n/5$ K
Electrical characteristic values	
Recommended reference voltage U_{ref}	5 ... 12 V DC
Input resistance R_e	$409 \Omega \pm 6 \Omega$
Output resistance R_a	$350 \Omega \pm 3 \Omega$
Insulation resistance R_{is}	5 000 M Ω at 50 V DC

SIWAREX WL260 SP-S AA

Connection and environmental conditions

Rated temperature range B_{Tn}	-10 ... +40 °C (14 ... 104 °F)
Operating temperature range B_{Tu}	-35 ... +65 °C (-31 ... 149 °F)
Storage temperature range B_{Ts}	-35 ... +65 °C (-31 ... 149 °F)
Sensor material (DIN)	Aluminum
Maximum tightening torque of the fixing screws	15 ... 20 Nm
Degree of protection to EN 60529; IEC 60529	IP65

Cable connection

Function	Color
• EXC + (supply +)	red
• EXC - (supply -)	black
• SIG + (measured signal +)	green
• SIG - (measured signal -)	white
• Sense + (sensor line +)	blue
• Sense - (sensor line -)	brown
• Shield	transparent

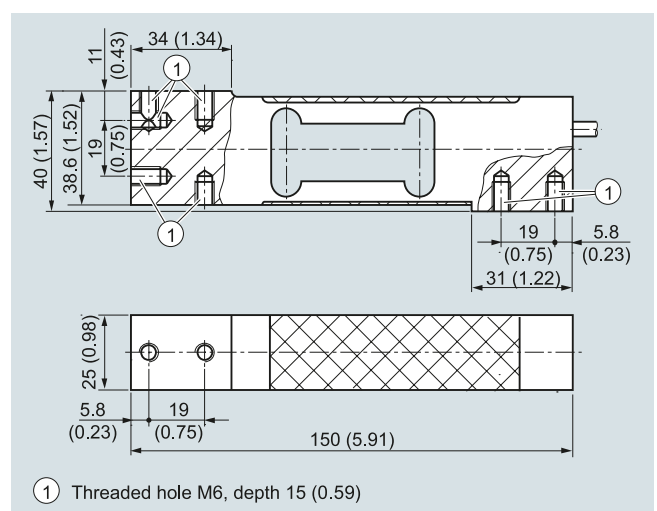
Certificates and approvals

Accuracy class according to OIML R60	C3
--------------------------------------	----

Selection and ordering data

Load cell type WL 260 SP-S AA	Article No.
Legal-for-trade according to OIML R60 to 3000d, 3 m connection cable	7MH5102-
Click on the Article No. for the online configuration in the PIA Life Cycle Portal.	D 0 0
Rated load	
• 3 kg (6.61 lb)	1 K
• 5 kg (11.02 lb)	1 P
• 10 kg (22.05 lb)	2 A
• 20 kg (44.09 lb)	2 G
• 50 kg (110.23 lb)	2 P
• 100 kg (220.46 lb)	3 A

Dimensional drawings



SIWAREX WL 260 SP-S AA load cell, dimensions in mm (inch)