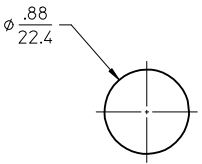
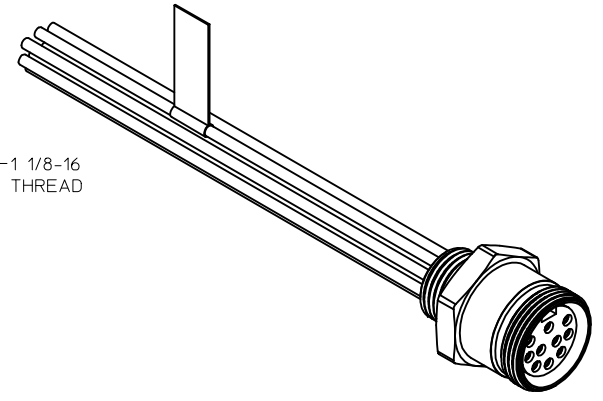
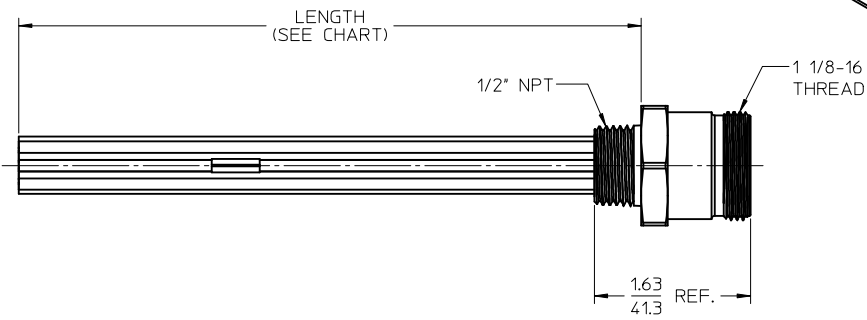


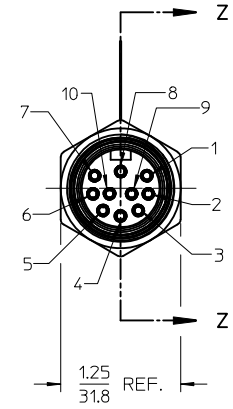
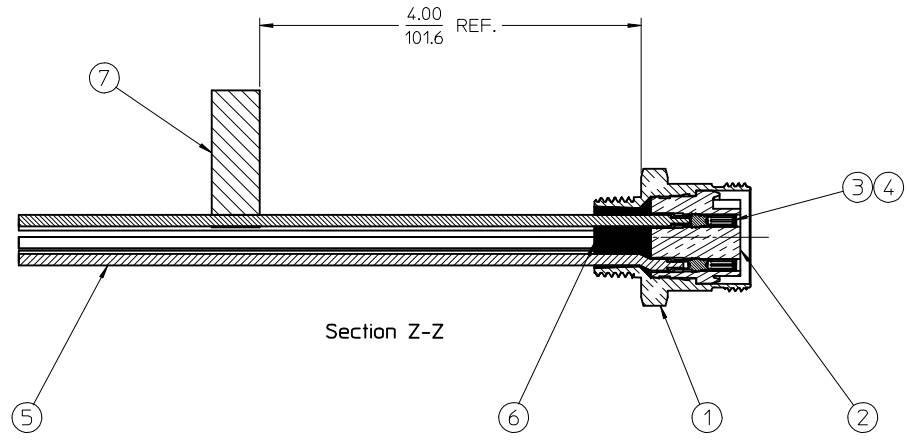
MATERIAL NO.	ENGINEERING NO.	LENGTH
1300150024	3R1004A20A120	12' +.75-0 [305mm +19.0-0]
1300150033	3R1004A20F060	6'0' +2.19-0 [1.8M +55.6-0]



REF. KNOCK-OUT HOLE



- NOTES:
1. MATERIAL: SEE TABLE
 2. FINISHES: SEE TABLE
 3. MATES WITH: NONE
 4. ELECTRICAL SPECIFICATIONS:
VOLTAGE RATING: 600V AC/DC
CURRENT RATING: 7 AMPS
 5. RoHS COMPLIANT



1	ORANGE
2	BLUE
3	WHITE-BLACK
4	RED-BLACK
5	GREEN-BLACK
6	ORANGE-BLACK
7	RED
8	GREEN-YELLOW
9	BLACK
10	WHITE

WIRING DIAGRAM

ITEM	QTY.	DESCRIPTION	MATERIAL	FINISH
7	1	LABEL	PLASTIC FILM	BLACK/YELLOW
6	1	POTTING	EPOXY	
5	10	WIRE, 16 AWG (UL 1015)	PVC INSULATED	SEE WIRE DIAGRAM
4	10	SOCKET SLEEVE	ST. STEEL	
3	10	CONTACT SOCKET	BRASS	GOLD PLATED
2	1	INSERT	PVC	YELLOW
1	1	RECEPTACLE SHELL	ZINC ALLOY	BLACK

RELEASED
EC NO: MNA2010-0101
DRAWN BY: R. STONE 2009/08/17
CHKD BY: WOODMAN
APPR: J. MURPHY 2009/08/21

QUALITY SYMBOLS	GENERAL TOLERANCES (UNLESS SPECIFIED)	
	mm	INCH
▽=0	4 PLACES ± .005	± .005
▽=0	3 PLACES ± .005	± .005
	2 PLACES ± .005	± .01
	1 PLACE ± 0.3	± .005
	ANGULAR ± 1/2°	

DIMENSION STYLE		SCALE	DESIGN UNITS	THIRD ANGLE PROJECTION
IN/MM		1:1	INCH	
DRAWN BY	DATE	TITLE		
R. STONE	2009/08/17	MC RECEPTACLE, FEMALE 10 POLE, 1/2" NPT		
CHECKED BY	DATE	DRAWN BY		
B. WOODMAN	2009/08/17	R. STONE		
APPROVED BY	DATE	TITLE		
J. MURPHY	2009/08/20	MC RECEPTACLE, FEMALE 10 POLE, 1/2" NPT		

MATERIAL NO.		DOCUMENT NO.		SHEET NO.
SEE CHART		SD-130015-005		1 OF 1
THIS DRAWING CONTAINS INFORMATION THAT IS PROPRIETARY TO MOLEX INCORPORATED AND SHOULD NOT BE USED WITHOUT WRITTEN PERMISSION				