



Current inputs

| | | |
|-------------------------------|-------|-------|
| Primary current I_{pn} (/5) | A | 250 |
| Operational frequency | min | Hz 50 |
| | max | Hz 60 |
| Secondary output current | A | 5 |
| Overload withstand I_{pn} | % | 120 |
| Burden | cl. 1 | VA 1 |

Insulations

| | | |
|---|----------------|---------|
| Rated insulation voltage U_i IEC/EN | V | 720 |
| IEC rated short-time thermal current I_{th} | I_{th} for s | 40...60 |
| IEC rated dynamic current I_{dyn} | I_{th} for s | 2.5 |
| Insulation dry type | | Class E |

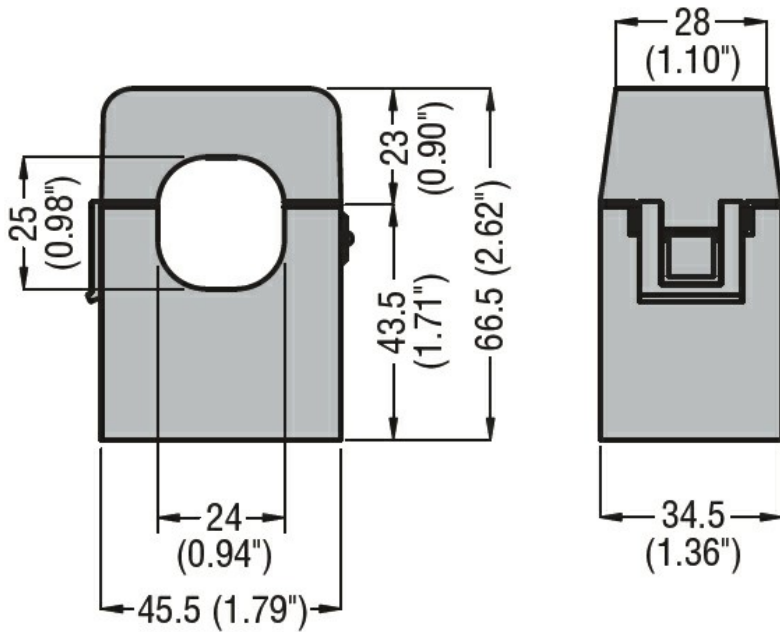
Mechanical features

| | | |
|----------------|---|--------------|
| Terminals type | | 2m pre-wired |
| Weight | g | 200 |

Ambient conditions

| | | | |
|-------------------|-----------------------|----|-----|
| Temperature | Operating temperature | | |
| | min | °C | -25 |
| | max | °C | +50 |
| | Storage temperature | | |
| | min | °C | -40 |
| | max | °C | +80 |
| Relative humidity | % | | 90 |

Dimensions



Certifications and compliance

Certifications

IEC/EN/BS 61869-1

IEC/EN/BS 61869-2

Compliance

EAC

ETIM classification

EC000066 - Power contactor, AC switching