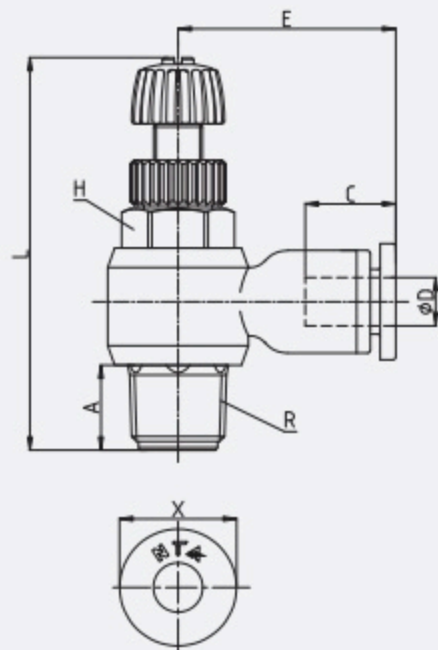


# SL-R

## 公制直接安装L型节流阀

### Elbow



型号/ MODEL		ΦD	R	A	H	E	C	X	L	
限出型/Control Out	限入型/Control In								min	max
SL4-M5	SL4-M5B	4	M5	3.5	8	20	14.9	9.9	29	31.9
SL4-01	SL4-01B	4	R1/8	7.5	10	22.3	14.9	9.9	37.5	44.3
SL4-02	SL4-02B	4	R1/4	11.2	14	24	14.9	9.9	43.7	51.3
SL6-M5	SL6-M5B	6	M5	3.5	8	21.7	15.4	11.8	29	31.9
SL6-01	SL6-01B	6	R1/8	7.5	10	22.9	15.4	11.8	37.5	44.3
SL6-02	SL6-02B	6	R1/4	11.2	14	24.9	15.4	11.8	43.7	51.3
SL6-03	SL6-03B	6	R3/8	12.3	19	26.6	15.4	11.8	48.4	55.3
SL6-04	SL6-04B	6	R1/2	15	24	29.6	15.4	11.8	52.7	59.5
SL8-01	SL8-01B	8	R1/8	7.5	10	25.3	17.3	13.8	37.5	44.3
SL8-02	SL8-02B	8	R1/4	11.2	14	28.4	18.3	13.8	43.7	51.3
SL8-03	SL8-03B	8	R3/8	12.3	19	29.3	18.3	13.8	48.4	55.3
SL8-04	SL8-04B	8	R1/2	15	24	32.3	18.3	13.8	52.7	59.5
SL10-02	SL10-02B	10	R1/4	11.2	14	32	20.5	16.8	43.7	51.3
SL10-03	SL10-03B	10	R3/8	12.3	19	32.5	20.5	16.8	48.4	55.3
SL10-04	SL10-04B	10	R1/2	15	24	35.5	20.5	16.8	52.7	59.5
SL12-02	SL12-02B	12	R1/4	11.2	14	32	21.6	19.8	43.7	51.3
SL12-03	SL12-03B	12	R3/8	12.3	19	35.3	21.8	19.8	48.4	55.3
SL12-04	SL12-04B	12	R1/2	15	24	36.3	22.3	19.8	52.7	59.5