

# DOUBLE POLE ROCKER SWITCH



## LR Series

### Features

- Single-pole and double-pole configurations
- Lighted and non-lighted options
- Available in a wide variety of colors
- High current switching in a compact package
- Variety of terminal styles available
- Self-locking tabs to fit industrystandard panel cut-outs
- Mechanical life: min. 100,000 operations

### Specifications

#### Electrical

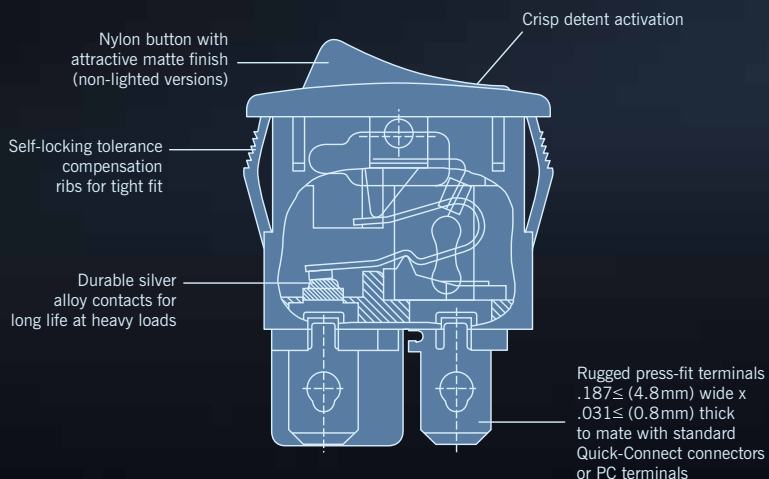
Dielectric Strength:	1000VAC for 1 minute
Insulation Resistance:	10 <sup>8</sup> ohms min at 500VDC
Initial Contact Resistance:	0.020 ohms max
Temperature Range:	-20°C to +65°C

#### Materials

Actuator (non-lighted):	Nylon 66 94V-2
Actuator (lighted):	Polycarbonate
Case:	Nylon 66 94V-2
Contacts:	Silver Alloy
Movable Arm:	Copper Alloy
Terminals:	Tin-Plated Copper Alloy

### Electrical Ratings

Switch Series	EN61058 Rating	UL1054 Rating	Electrical Life at Rated Load	
			According to VDE (Min. Operations)	According to UL (Min. Operations)
LR	10(4)A, 250V~, T125/55	10A, 125VAC; 8A, 250VAC; 1/4HP, 125/250VAC	10,000	6,000





## Examples of Common Part Numbers and Descriptions inches (mm)

Part Number	Circuitry	Switch Function	Terminal Type	Actuator/Housing Color	Legend Marking
LRA22H2FBBNN		On – Off	0.187 (4.80) Quick-Connect	Black/Black	
LRA32H2FBBNN		On – Off	0.187 (4.80) Quick-Connect	Black/Black	
LRA22H2BBBNN		On – Off	0.187 (4.80) Quick-Connect	Black/Black	
LRA32H2BBBNN		On – Off	0.187 (4.80) Quick-Connect	Black/Black	
LRA22H2BBRLN		On – Off/Lighted	0.187 (4.80) Quick-Connect	Red/Black	
LRA32H2BBRLN		On – Off/Lighted	0.187 (4.80) Quick-Connect	Red/Black	

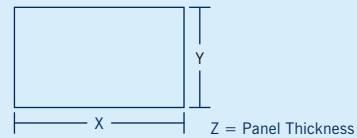
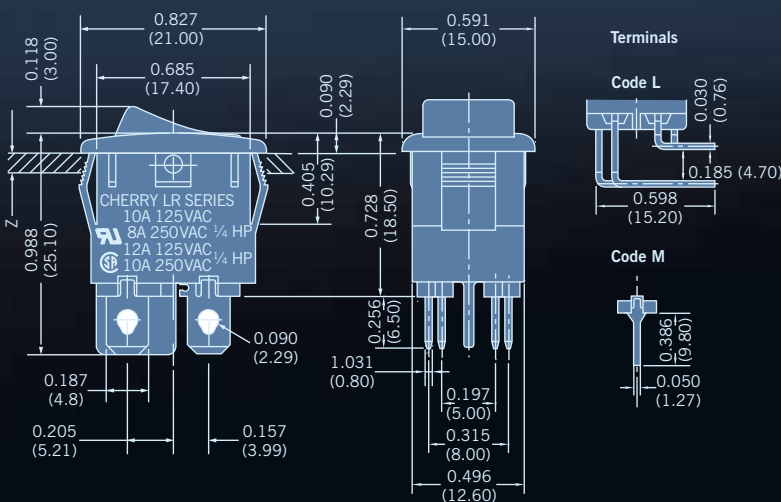
Boot #0015-0644

## Ordering Information

<b>LR</b>	<b>A</b>	<b>2</b>	<b>2</b>	<b>H</b>	<b>2</b>	<b>F</b>	<b>B</b>	<b>B</b>	<b>N</b>	<b>N</b>
<b>Series</b>	<b>Code</b> <b>Circuitry</b>	<b>Code</b> <b>Switch Function</b>	<b>Code</b> <b>Actuator Type</b>	<b>Code</b> <b>Actuator Marking</b>	<b>Code</b> <b>Housing Color</b>	<b>Code</b> <b>Lighted</b>	<b>Code</b> <b>Splashproof</b>			
	2 Single-Pole 3 Double-Pole	2 On – Off	2 Curve	B Blank D OFF NO E O I F O – G •	E Charcoal Grey B Black W White Y Grey C Brown	N Non-Lighted L Lighted (Bulb 125VAC) E Lighted (Bulb 250VAC) F Lighted 5VDC Incandescent G Lighted 6VDC Incandescent H Lighted 12VDC Incandescent	N No Rocker Boot S Waterproof Boot			
<b>Code</b> <b>Contact Rating</b>										
A 10A, 125VAC; 8A, 250VAC; 1/4HP, 125/250VAC (UL) 12A, 125VAC; 10A, 250VAC; 1/4HP, 125/250VAC (CSA) 10(4)A 250 V~, T125/55 (VDE)										
<b>Code</b> <b>Terminal Type inches (mm)</b>										
H 0.187 (4.8) QC L PC Thru-Hole Right Angle M PC Thru-Hole Straight										
<b>Code</b> <b>Actuator Color</b>										
E Charcoal Grey B Black G Green A Amber R Red W White Y Grey S Semi-transparent Nylon Red C Brown										

Specifications subject to change without notice.

## Dimensions inches (mm)



## Recommended Panel Cut-Out Dimensions

inches (mm)

Dim. Z	Dim. X	Dim. Y
0.030 to 0.049 (0.75 to 1.25)	0.752 (19.10)	0.508 (12.90)
0.049 to 0.079 (1.25 to 2.00)	0.760 (19.30)	0.508 (12.90)
0.079 to 0.118 (2.00 to 3.00)	0.775 (19.69)	0.508 (12.90)