

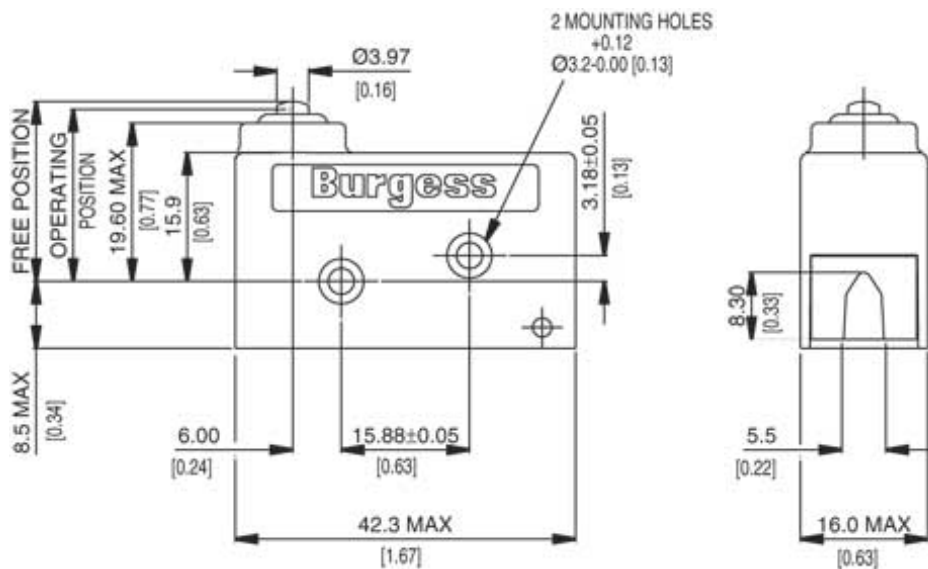


## V9N

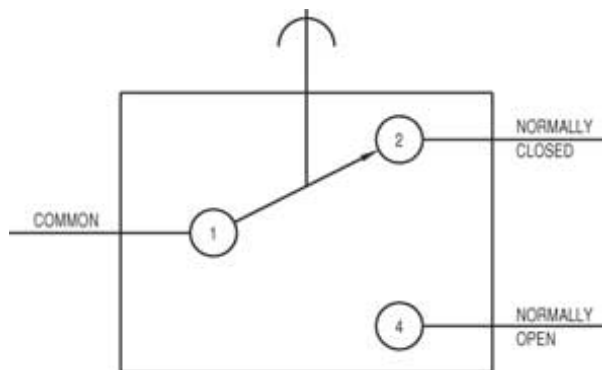
<b>Type</b>	<ul style="list-style-type: none"> <li>• Switches</li> </ul>
<b>Product type</b>	<ul style="list-style-type: none"> <li>• Burgess Sealed Miniature Limit switch</li> </ul>
<b>Typical markets</b>	<ul style="list-style-type: none"> <li>• business machines</li> <li>• material handling</li> <li>• transportation</li> <li>• distribution</li> </ul>
<b>Typical applications</b>	<ul style="list-style-type: none"> <li>• postal equipments</li> <li>• forklifts</li> <li>• specialist vehicles</li> <li>• local catalog distributors</li> </ul>
<b>Dimensions</b>	<ul style="list-style-type: none"> <li>• 42 x 24.5 x 15.5 mm</li> </ul>
<b>Characteristics</b>	<ul style="list-style-type: none"> <li>• sealed IP67</li> <li>• metal housed</li> <li>• screw terminals or flying leads</li> </ul>
<b>Rating</b>	<ul style="list-style-type: none"> <li>• 250 VAC, 10 A max.</li> </ul>
<b>Actuators</b>	<ul style="list-style-type: none"> <li>• plunger</li> <li>• plain lever</li> <li>• roller lever</li> <li>• reverse action lever</li> </ul>
<b>Approvals/Quality</b>	<ul style="list-style-type: none"> <li>• UL</li> <li>• CSA</li> </ul>



## Dimensions



## Circuits



## Performance

### Preferred range

Partnumber	Terminal	Actuator	Electrical rating @	
			ENEC	UL/CSA
<u>V9N</u>	screw	plunger	VAC A	250 VAC 10 A
<u>V9NL</u>	screw	plain lever 44.5 mm	VAC A	250 VAC 10 A
<u>V9NLR</u>	screw	roller lever 22.2 mm	VAC A	250 VAC 10 A

<u>V9NLR1</u>	screw	roller lever 32.3 mm	VAC A	250 VAC 10 A
---------------	-------	-------------------------	----------	-----------------

---





## V9NLR

<b>Dimensions</b>	42 mm
<b>Dimensions</b>	24.5 mm
<b>Dimensions</b>	16 mm
<b>Terminal</b>	screw
<b>Circuit</b>	CO
<b>Protection</b>	IP67
<b>Actuator</b>	roller lever 22.2 mm
<b>Contacts</b>	Ag
<b>Electrical rating UL/CSA</b>	250 VAC
<b>Actuating force</b>	6 Nm
<b>Release force</b>	1.3 N
<b>Free position (FP)</b>	31 mm
<b>Operating position (OP)</b>	27.5 mm
<b>Movement differential</b>	0.35 mm
<b>Overtravel</b>	depress to case