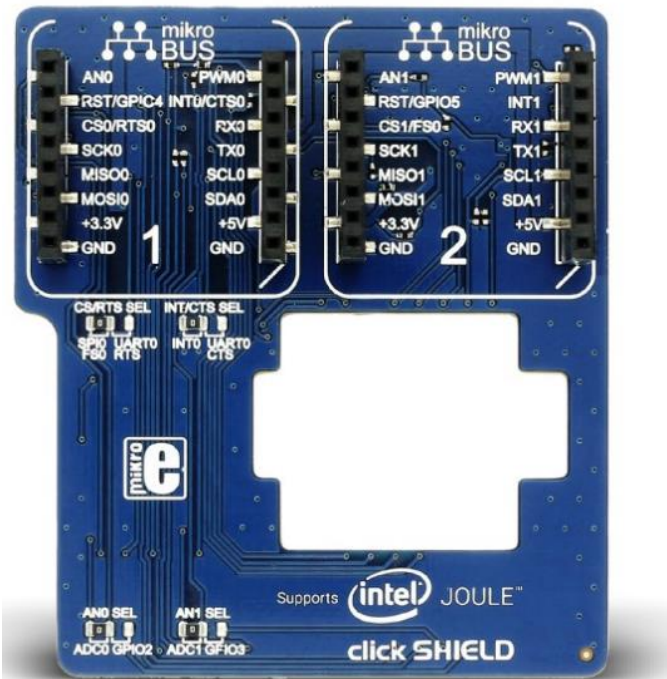


Intel® Joule™ click SHIELD



PID: MIKROE-2546

RS Product Code: [136-0878](#)

Intel® Joule™ click SHIELD is an extension for Intel® Joule™ Expansion Board. This click shield allows you to add more than 270 click boards™ to your project. Add displays, WiFi, ZigBee or Bluetooth transceivers, Ethernet modules, sensors, MP3 codec circuit and other features to your prototype with ease.

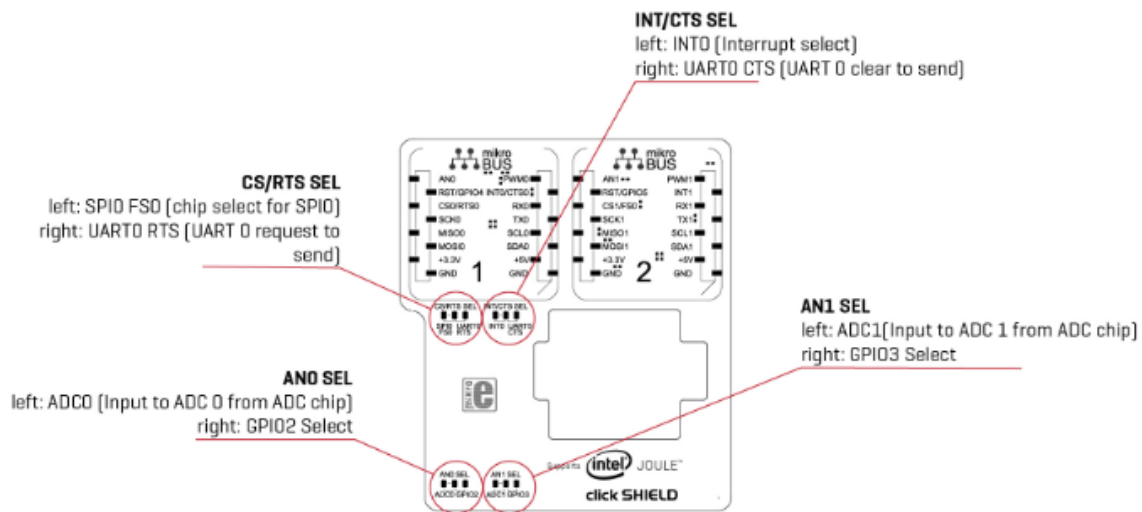
Click boards™ come with examples written in MikroElektronika compilers, so you will have a great base for your future projects.

The Intel® Joule™ click SHIELD board includes the MCP3204 ADC - 2.7V 4-Channel/8-Channel 12-Bit A/D Converters with SPI™ Serial Interface. The on board ADC has a 2.048V reference.

The board also features 2x40 pin connectors.

Note: In case you don't want to use the 5V power supply on the Intel® Joule™ click SHIELD you should remove the jumper on the lower side of the board - marked as 5V EN.

Jumpers and settings



Intel® Joule™ Expansion Board

The expansion board is intended to breakout all I/O interfaces from the Intel® Joule™ module into easily accessible connectors.

Intel® Joule™ module

This powerful system on module (SoM) was designed to help inventors and IoT developers contribute to a new generation of robots, drones, and IoT devices that are equipped with Intel® HD Graphics, 3D modelling, object recognition, and interactive capabilities.

Key features

- Two mikroBUS™ sockets
- MCP3204 ADC
- 2x40 connector pins
- 3.3V and 5V power supply

Specification

Product Type	Shield
Applications	Add click board™ connectivity to the Intel® Joule™ Expansion Board
On-board modules	Two mikroBUS™ sockets, MCP3204 ADC
Power Supply	3.3V and 5V
Compatibility	Intel® Joule™

Downloads

[mikroBUS™ Standard specification](#)

[Intel® Joule™ click SHIELD schematic](#)

[Grid-EYE click and Intel® Joule™ click SHIELD demo](#)