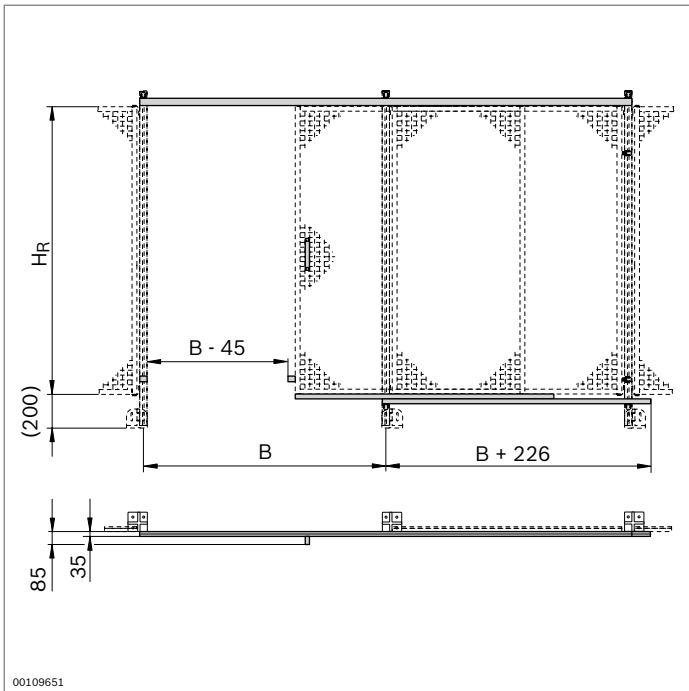


EcoSafe assembly kit for sliding door with superstructure

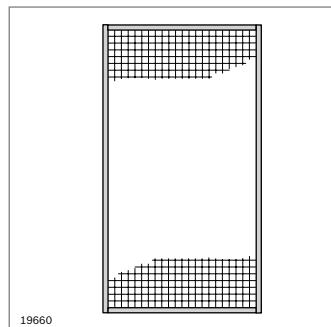
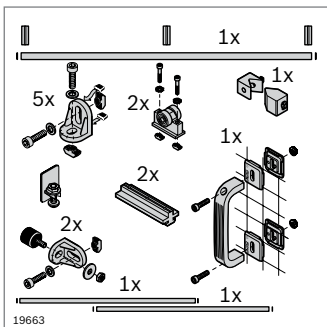
- ▶ Assembly kit for constructing an EcoSafe sliding door with superstructure in the modular dimension system
- ▶ Use of finished protective frame as a door
- ▶ Easy subsequent installation in a protective fence
- ▶ Rollers with ball bearings for smooth running
- ▶ For doors that open to the left or right
- ▶ Required components:
 - assembly kit for sliding door with superstructure
 - protective frame (p. 10-6)

Optional accessories:
door lock (p. 8-11/8-13)



Assembly kit for sliding door with superstructure	H _R (mm)	B (mm)	No.
	1800	1000	3 842 524 163
	1800	1500	3 842 524 164

Scope of delivery: 2 x bump stop, 2 x slider, 2 x trolley, profile for door superstructure, 7 x mounting bracket, stop kit, 2 x profile for sliding door



Selection of suitable protective frames

Protective frame	H _R (mm)	B (mm)	No.
	1800	1000	3 842 554 284
	1800	1500	3 842 554 285

Material: aluminum, anodized; woven wire grille and fastening material: steel; galvanized

Scope of delivery: fully assembled