

Patch cable - VS-04-2X2X26C7/7-SDA/SDB/2,0 - 1653935


Please be informed that the data shown in this PDF Document is generated from our Online Catalog. Please find the complete data in the user's documentation. Our General Terms of Use for Downloads are valid (<http://phoenixcontact.com/download>)



Assembled USB cable, shielded, color: RAL 5021 (water blue), PUR outer sheath, USB type A/standard on USB type B/standard, length: 2 m



Key Commercial Data

Packing unit	1 pc
GTIN	 4 017918 970260
GTIN	4017918970260
Weight per Piece (excluding packing)	128.000 g
Custom tariff number	85444290
Country of origin	Germany

Technical data

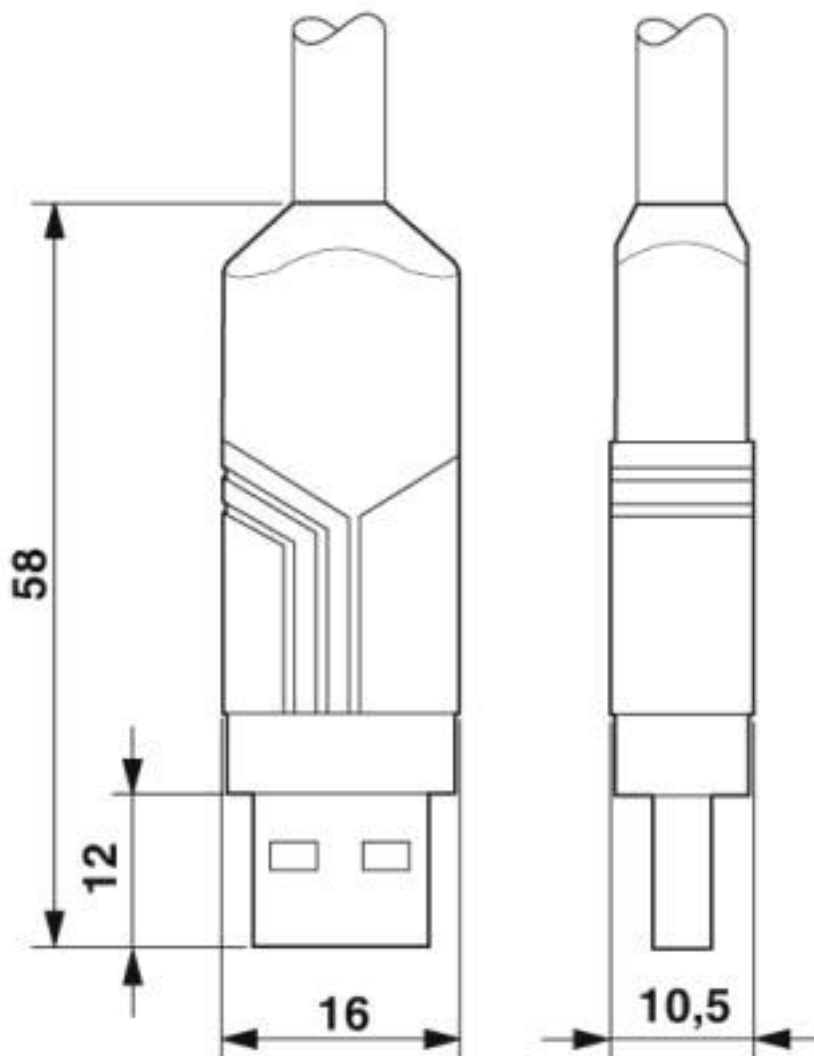
Environmental Product Compliance

China RoHS	Environmentally friendly use period: unlimited = EFUP-e
	No hazardous substances above threshold values

Drawings

Patch cable - VS-04-2X2X26C7/7-SDA/SDB/2,0 - 1653935

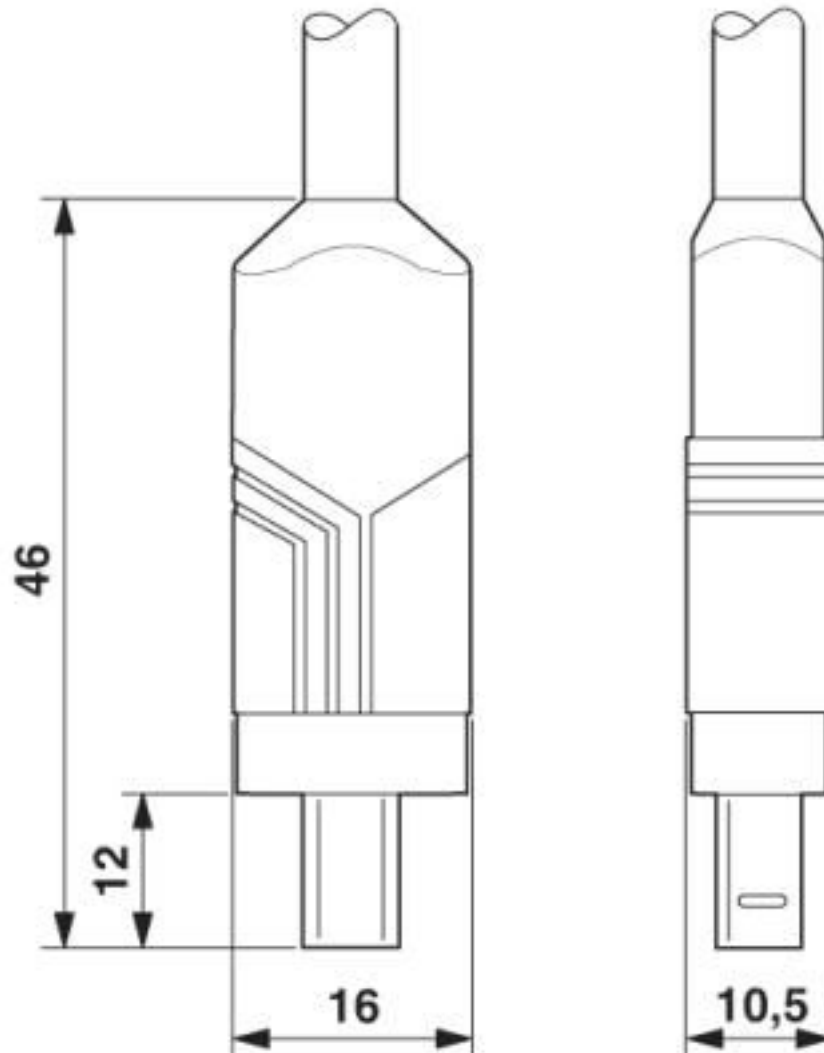
Dimensional drawing



USB connector, type A, Standard

Patch cable - VS-04-2X2X26C7/7-SDA/SDB/2,0 - 1653935

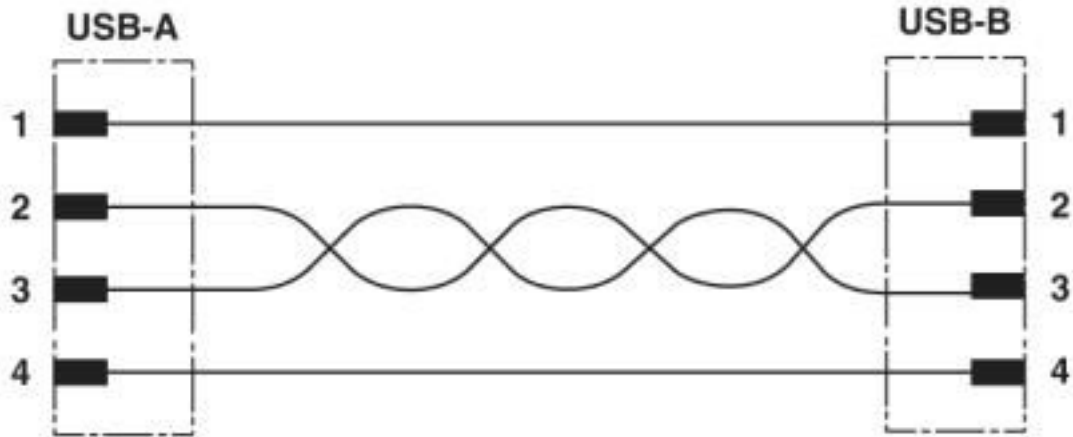
Dimensional drawing



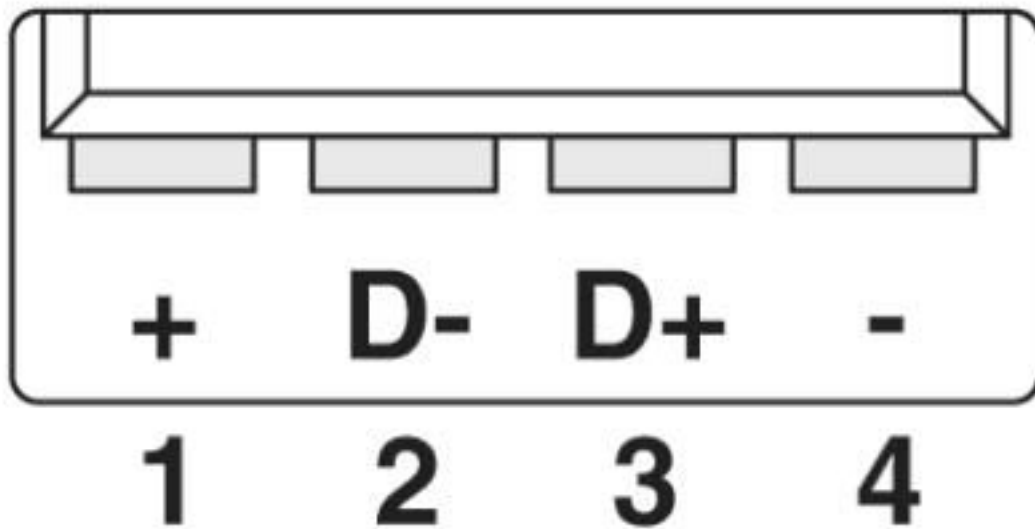
USB connector, type B, standard

Patch cable - VS-04-2X2X26C7/7-SDA/SDB/2,0 - 1653935

Circuit diagram



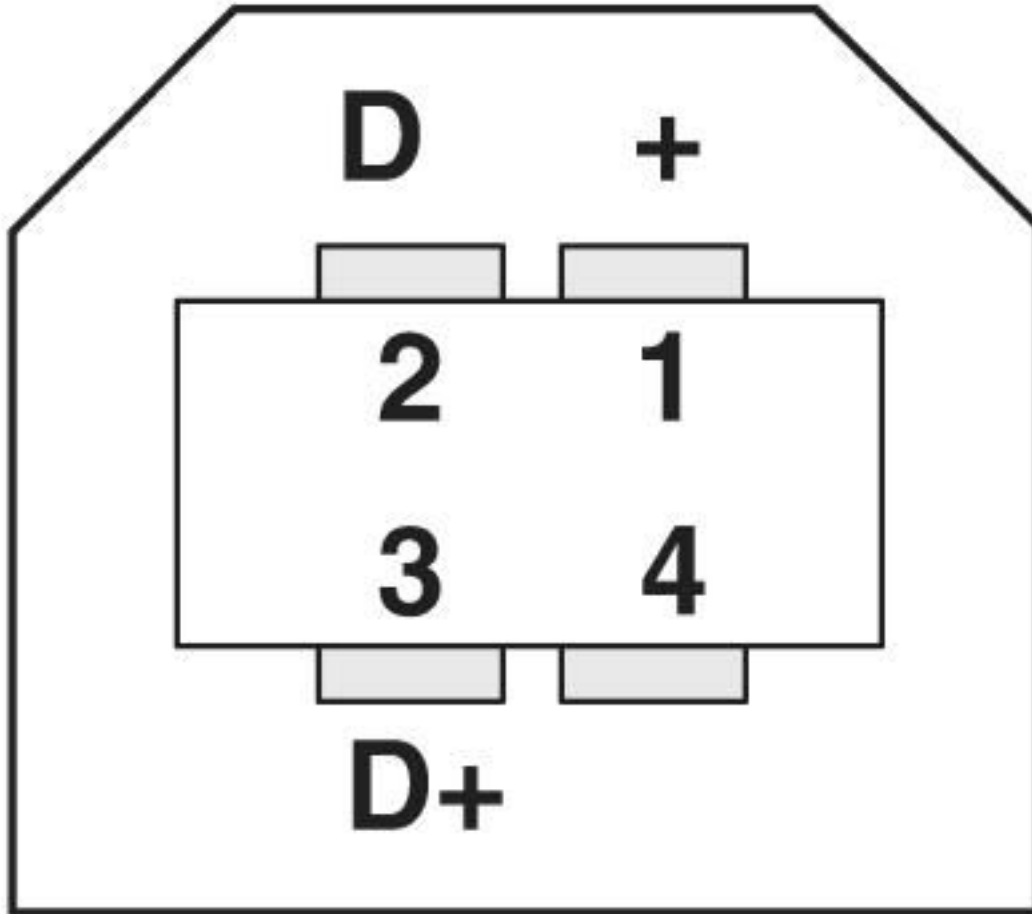
Schematic diagram



Pin assignment plug USB, type A

Patch cable - VS-04-2X2X26C7/7-SDA/SDB/2,0 - 1653935

Schematic diagram



Plug pin assignment plug USB, type B

Classifications

eCl@ss

eCl@ss 10.0.1	27060390
eCl@ss 4.0	24010400
eCl@ss 4.1	24010400
eCl@ss 5.0	19030300
eCl@ss 5.1	19030300
eCl@ss 6.0	27060300
eCl@ss 7.0	27060390
eCl@ss 8.0	27060390
eCl@ss 9.0	27060390

ETIM

ETIM 2.0	EC000830
----------	----------

Patch cable - VS-04-2X2X26C7/7-SDA/SDB/2,0 - 1653935

Classifications

ETIM

ETIM 3.0	EC001855
ETIM 4.0	EC001855
ETIM 5.0	EC001408
ETIM 6.0	EC000748
ETIM 7.0	EC000748

UNSPSC

UNSPSC 6.01	31261501
UNSPSC 7.0901	31261501
UNSPSC 11	31261501
UNSPSC 12.01	31261501
UNSPSC 13.2	26121604
UNSPSC 18.0	26121604
UNSPSC 19.0	26121604
UNSPSC 20.0	26121604
UNSPSC 21.0	26121604

Approvals

Approvals

Approvals

EAC

Ex Approvals

Approval details

EAC		19060508
-----	---	----------
