



Modular Shelving System Accessories **GB**

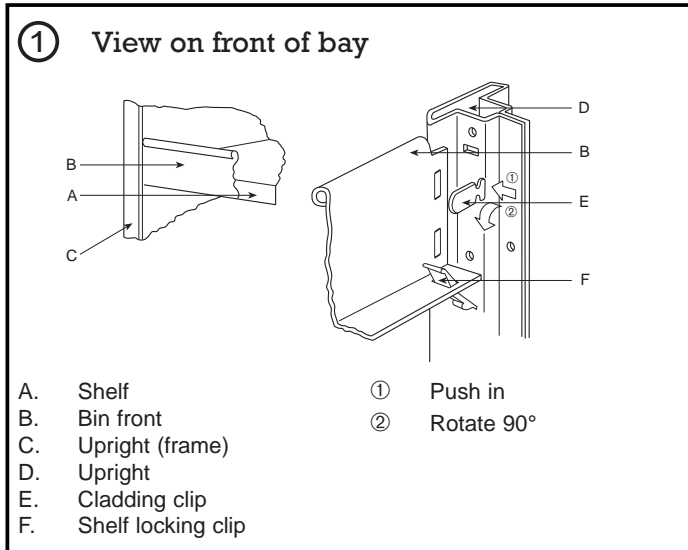
Instruction Leaflet



519-510, 519-532, 519-554,
519-576, 519-582, 519-598, 519-605

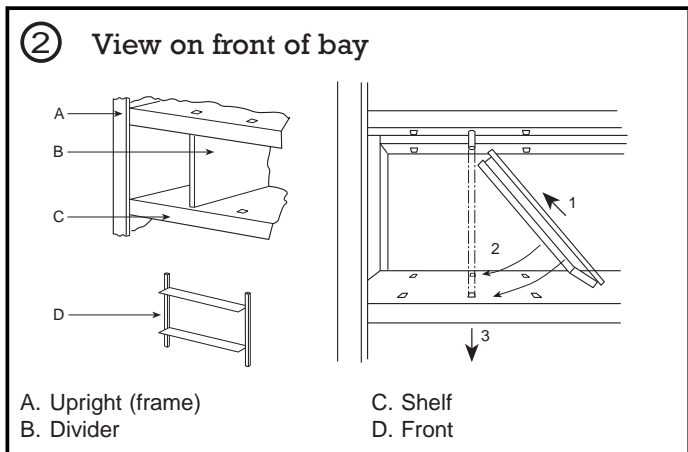
Bin front (flat)

- Bin front must be fitted before associated shelf.
- Insert 4 shelf locking clips.
- Place bin front over clips as shown.
- Locate shelf.
- Retain using cladding clips.



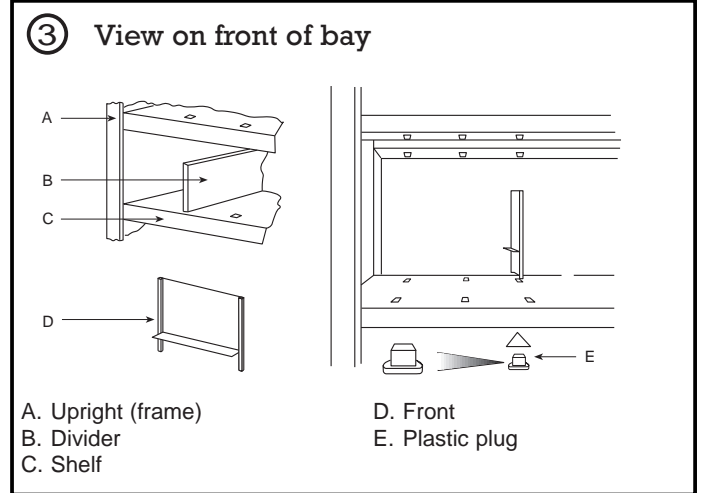
Dividers (full height)

- Note correct way round - see sketch.
- Locate top tabs in shelf underside (shelves must be located at the correct pitch).
- Swing into position and locate bottom tabs in shelf slots.



Dividers (part height)

- Note correct way round - see sketch.
- Locate tabs in shelf slot.
- Push in plastic plug as shown.



Louvered panel kits

Note: Positions for fitting retainer brackets to frames (figure 4). The retainer brackets can be fitted either way up, this alters the position of the captive nuts (figure 5).

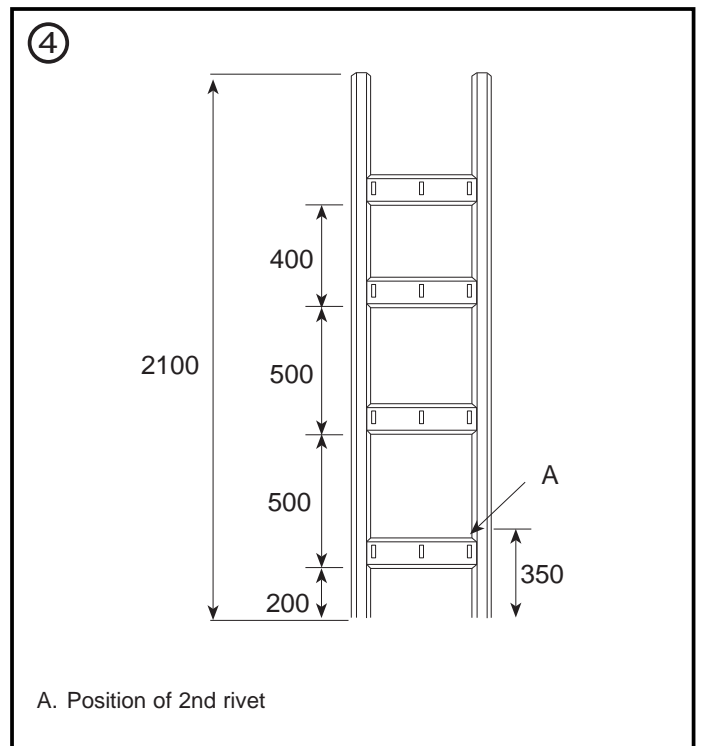
Assemble retainer brackets to frame (figure 6).

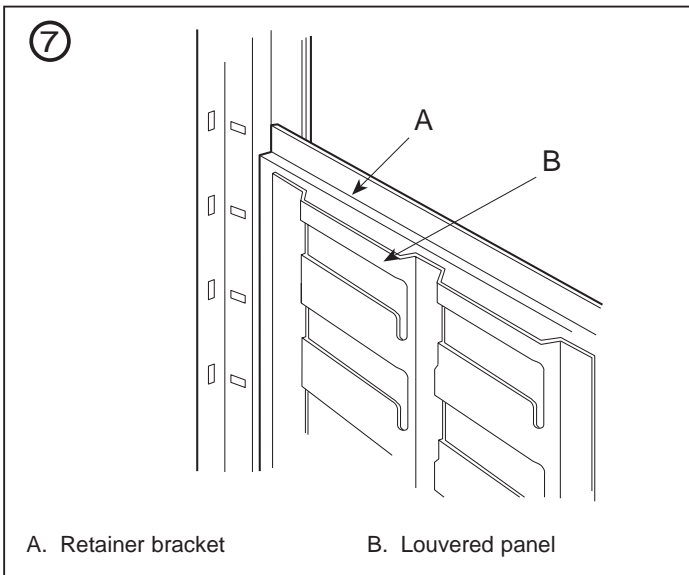
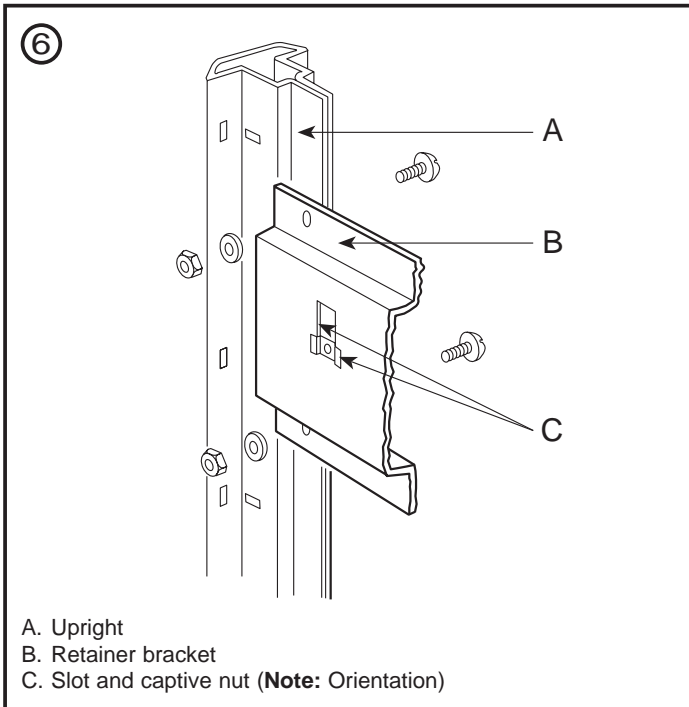
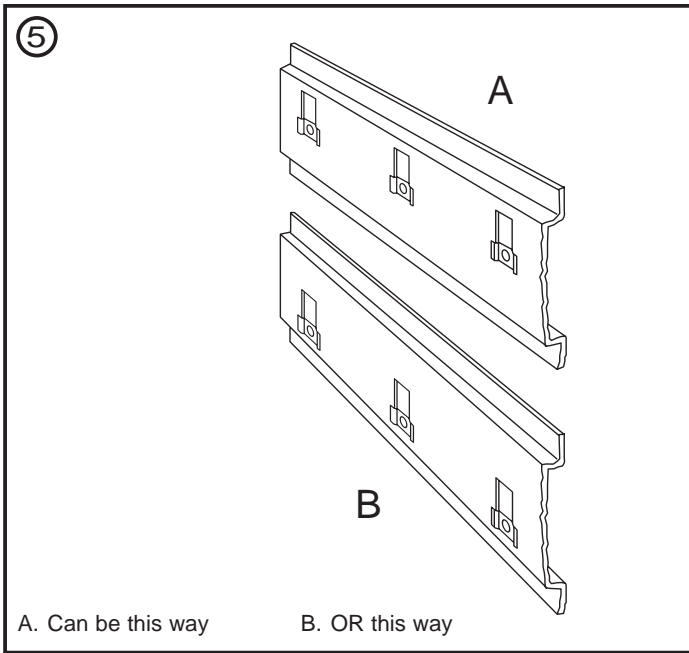
Attach louvered panel to retainer brackets, assemble all bolts loosely then fully tighten.

Important note:

Before fitting a louvered panel kit to a 2100mm high, fully clad frame, check for correct orientation.

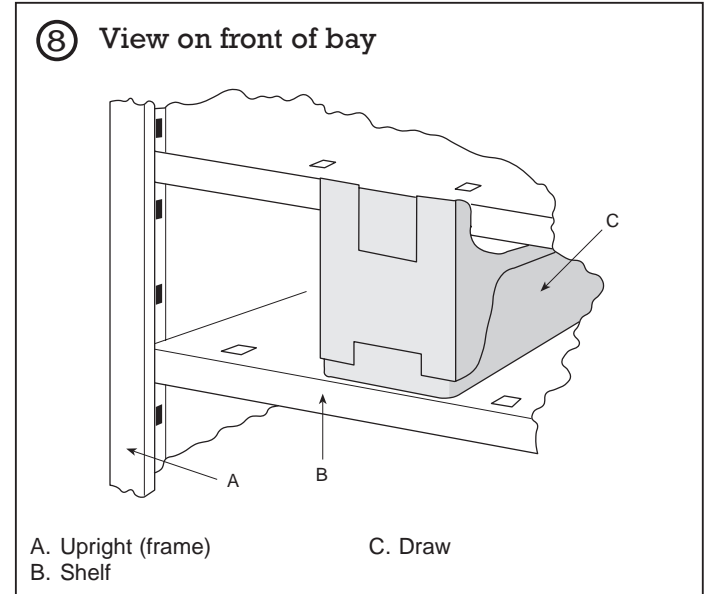
i.e. The position of the 2nd rivet used to retain the cladding **MUST** be 350mm above the floor (see figure 4).





Drawer units

- Locate shelf locking clips in frame upright 150mm apart.
- Fit shelves, distance between shelves will be 115mm.
- Fit drawer units on shelf.



RS Components shall not be liable for any liability or loss of any nature (howsoever caused and whether or not due to RS Components' negligence) which may result from the use of any information provided in **RS** technical literature.