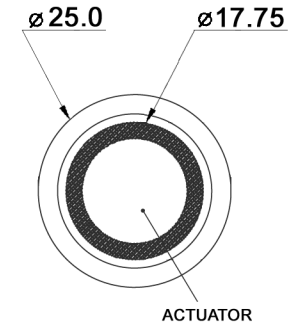
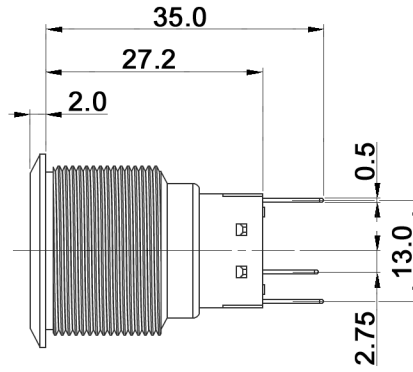
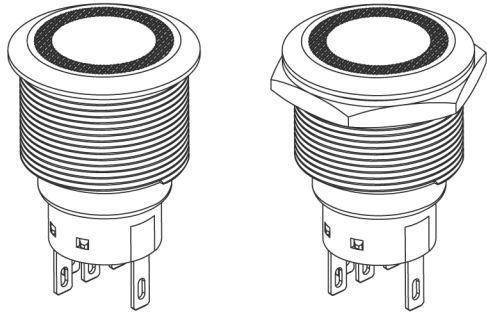
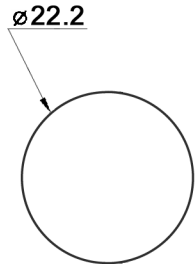


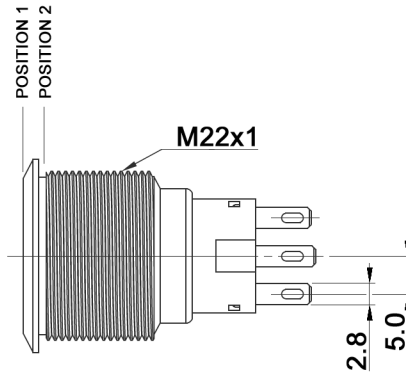
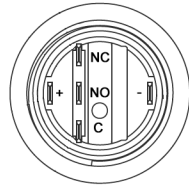
ASSEMBLED VIEW



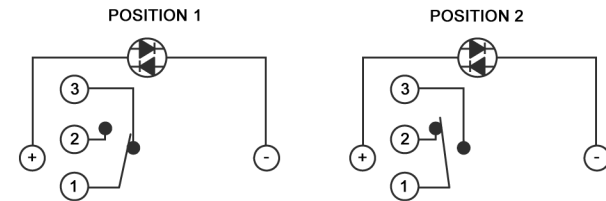
PANEL CUT-OUT



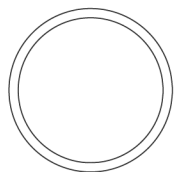
MAX. PANEL THICKNESS: 10mm



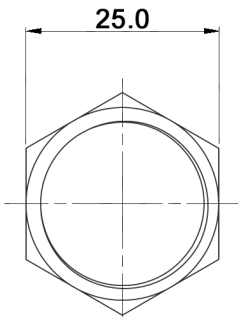
SCHEMATIC



HARDWARE:



O-RING



HEX NUT

Compliance: RohS II (2011/65/EU)

Tolerances: 0.00: ±0.25mm 0.0: ±0.40mm		Date	Name
		07/15	dr
LED	06/16	dr	
Modifications	Date	Name	

MAV22A0F10E-xy-JQ

knitter-switch

30 33 93

Page

1/2

Specifications:

Contact rating: 3A, 250V AC; 3A, 28V DC
Contact resistance: 50mOhm max. at 1A, 12V DC
Insulation resistance: 1000MOhm min. at 500V DC
Dielectric strength: 2000V RMS
Operating temperature: -20°C to +55°C
Mechanical life: 1 000 000 cycles
Electrical life: 50 000 cycles (make and break cycles at full load); 6 000 cycles DC
Operating force: 2.5 +/-1N
Soldering conditions: manual soldering: max. 290°C, 3sec.
Timing: momentary
Travel: 3.2mm +/-0.3
Torque: 5-14Nm
IP protection: IP67
IK class: IK10
Illumination ring moveable
Material: Bushing: stainless steel
 Base: PBT (UL94V-0)
 Actuator: PC, stainless steel
 Inner assembly: POM, PA66
 Spring: steel
 O-ring: silicone
 Contact: copper, silver plated
 Terminal: copper, silver plated
 Hex nut: nickel plated brass

x	LED color	y	LED voltage
0	without LED	0	without LED
1	white	3	3 V AC
3	red	6	6 V AC
5	yellow	12	12 V AC
6	green	24	24 V AC
7	blue	110	110 V AC
		220	220 V AC

Compliance: RohS II (2011/65/EU)

Tolerances: 0.00: ±0.25mm 0.0: ±0.40mm		Date 07/15	Name dr	MAV22A0F10E-xy-JQ
		knitter-switch		30 33 93
				Page 2/2
Modifications	Date	Name		