

# PRODUCT DATASHEET

## L 15 W/830

LUMILUX T8 | Tubular fluorescent lamps 26 mm, with G13 bases



---

### AREAS OF APPLICATION

- Public buildings
- Office lighting
- Industry
- Shops
- Supermarkets and department stores
- Street lighting
- Outdoor applications only in suitable luminaires

---

### PRODUCT BENEFITS

- Proven lamp technology
- Good economy thanks to high efficiency
- Available in many different light colors (2,700...8,000 K) for various applications

---

### PRODUCT FEATURES

- Very good lumen maintenance: 90 % throughout the service lifetime of the lamp
- Good color rendering group: 1B ( $R_a$ : 80...89)
- Dimmable
- Top-quality three-band phosphor: LUMILUX



**TECHNICAL DATA**

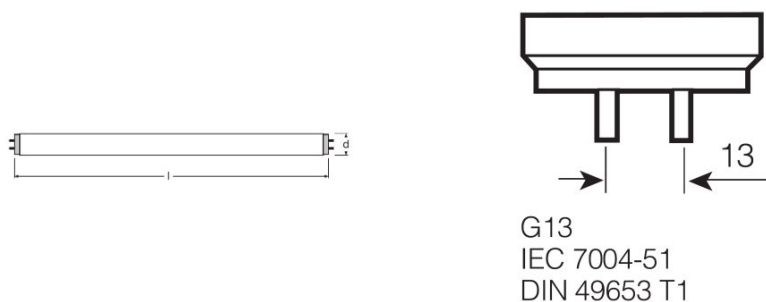
Electrical data

Rated lamp efficacy (HF data 25 °C)	Under clarification by authority and standardization body
Rated wattage	15.00 W
Nominal wattage	15.00 W
Lamp current	0.31 A

Photometrical data

Rated lamp efficacy (standard condition)	63 lm/W
Rated luminous flux	950 lm
Luminous flux at 25 °C	950 lm
Light color	830
Nominal luminous flux	950 lm
Light color (designation)	LUMILUX Warm White
Rated LLMF at 2,000 h	0.96
Rated LLMF at 4,000 h	0.94
Rated LLMF at 6,000 h	0.92
Rated LLMF at 8,000 h	0.91
Rated LLMF at 12,000 h	0.91
Rated LLMF at 16,000 h	0.90
Rated LLMF at 20,000 h	0.89
Color temperature	3000 K
Luminous flux	950 lm
Color rendering index Ra	80...89

Dimensions & weight



Tube diameter	26 mm
Length	438.0 mm
Length with base excl. base pins/connection	438.00 mm

<b>Diameter</b>	26.0 mm
<b>Maximum diameter</b>	26.0 mm

### Temperatures & operating conditions

<b>Rated ambient temp.w.max.luminous flux</b>	25.0 °C
---	---------

### Lifespan

<b>Service life</b>	16000 h <sup>1)</sup>
<b>Lifespan</b>	20000 h <sup>1)</sup>
<b>Rated lamp survival factor at 2,000 h</b>	0.99
<b>Rated lamp survival factor at 4,000 h</b>	0.99
<b>Rated lamp survival factor at 6,000 h</b>	0.99
<b>Rated lamp survival factor at 8,000 h</b>	0.99
<b>Rated lamp survival factor at 12,000 h</b>	0.99
<b>Rated lamp survival factor at 16,000 h</b>	0.90
<b>Rated lamp survival factor at 20,000 h</b>	0.50
<b>Operation mode LLMF/LSF</b>	HF
<b>Rated lamp life time</b>	20000 h
<b>Nominal lamp life time</b>	20000 h

<sup>1)</sup> With preheat ECG

### Additional product data

<b>Base (standard designation)</b>	G13
<b>Mercury content</b>	2.5 mg
<b>Show WEEE picto</b>	Yes

### Capabilities

<b>Dimmable</b>	Yes
<b>Suitable for indoor</b>	Yes

### Certificates & standards

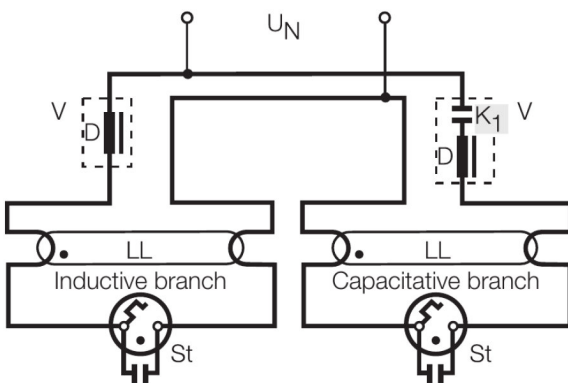
<b>Energy efficiency class</b>	B
<b>Energy consumption</b>	19 kWh/1000h

### Light Distribution



Spectral power distribution

### Wiring Diagram



Wiring diagram

---

**SYSTEM GUARANTEE**

OSRAM System+ Guarantee in combination with OSRAM ECGs

---

**SAFETY ADVICE**

In case of lamp breakage: [www.ledvance.com/brokenlamp](http://www.ledvance.com/brokenlamp)

---

**LOGISTICAL DATA**

Product code	Packaging unit (Pieces/Unit)	Dimensions (length x width x height)	Gross weight	Volume
4050300446028	Sleeves 1	452 mm x 27 mm x 27 mm	73.00 g	0.33 dm <sup>3</sup>
4050300446035	Shipping carton box 25	396 mm x 230 mm x 145 mm	2158.00 g	13.21 dm <sup>3</sup>

The mentioned product code describes the smallest quantity unit which can be ordered. One shipping unit can contain one or more single products. When placing an order, for the quantity please enter single or multiples of a shipping unit.

---

**REFERENCES / LINKS**

For more information on the system guarantee and the terms and conditions of the guarantee visit

▶ [www.ledvance.com/system-guarantee](http://www.ledvance.com/system-guarantee)

---

**DISCLAIMER**

Subject to change without notice. Errors and omission excepted. Always make sure to use the most recent release.

## LUMILUX T8 | Tubular fluorescent lamps 26 mm, with G13 bases

Product name	Product name ECG	EAN	Nominal current	Nominal wattage + Power loss	Luminous flux at 35 °C	Number of lighting outlets
L 15 W/830	QT-ECO 1x18-24/220-240 L	4050300660417	0.13 A	17.00 W	950 lm	1
	QT-ECO 1x18-24/220-240 S	4050300638560	0.13 A	17.00 W	950 lm	1
	QTP-DL 1x18-24	4008321117861	0.08 A	17.00 W	950 lm	1
	QTP-DL 2x18-24		0.15 A	32.00 W	950 lm	2
	QTP-OPTIMAL 1x18-40	4008321873743	0.08 A	17.00 W	950 lm	1
	QTP-OPTIMAL 2x18-40	4008321873767	0.15 A	31.00 W	950 lm	2

Product name	Product name ECG	EAN	EEI – Energy Label
L 15 W/830	QT-ECO 1x18-24/220-240 L	4050300660417	
	QT-ECO 1x18-24/220-240 S	4050300638560	A3
	QTP-DL 1x18-24	4008321117861	
	QTP-DL 2x18-24		
	QTP-OPTIMAL 1x18-40	4008321873743	
	QTP-OPTIMAL 2x18-40	4008321873767	