



Brand of NTN Group

Technical data

UCF213

Bearing units

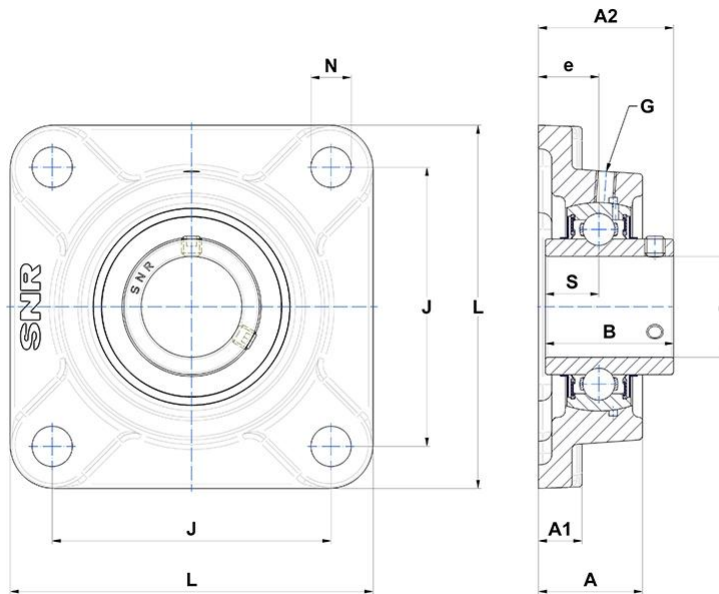


Grey cast housing, radial insert ball bearing with socket set screws, seal with slinger

KIT CONTENT

UC213G2, F213

VISUAL (S)



PRODUCT DEFINITION

Brand	SNR
A - Housing height	50 mm
A1 - Housing foot height / flange height	22 mm
A2 - Total height from mounting surface	69,7 mm
B - Width of Inner Ring	65,1 mm
d - Shaft diameter	65 mm



NTN Europe

1 rue des Usines · BP 2017 · 74010 Annecy Cedex · France · Tel. +33 (0)4 50 65 30 00
 S.A. au capital de 322 639 919 € · RCS ANNECY B 325 821 072 · Id. Fiscale : FR 48 325 821 072
 SIRET 325 821 072 00015 · Code APE 2815 Z · Code NACE 28.15

PRODUCT DEFINITION

e - Distance mounting surface to bearing center	30 mm
G - Grease fitting	M6x1
J - Mounting holes distance	149 mm
L - Housing width / diameter	187 mm
N - Mounting hole dimension	19 mm
S - Distance front side/bearing centre	25,4 mm

PRODUCT PERFORMANCE

C - Dynamic load rating	57200000 mN
C0 - Static load rating	40000000 mN
Operating temperature min.	253,15 °K
Operating temperature max.	373,15 °K

OTHER FEATURES

Mass	5,48 kg
Recommended tightening torque for set screw	33 N-m

