

AMP AMP Connect

MAIN MENU HELP
FAMILIES REGISTRATION

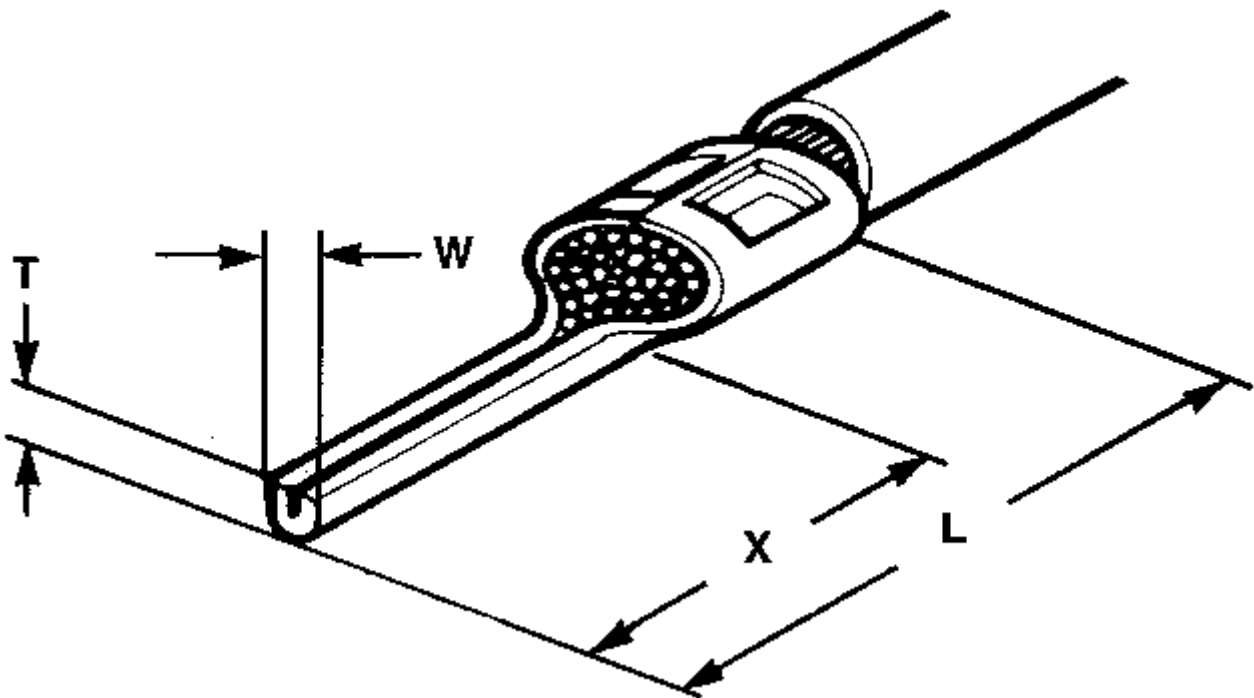
Alphabetical Picture Part Number
SEARCH SEARCH SEARCH

Go To Step Search™ Screen

165140 -- 1 of 1 products

Terminals and Splices
Miscellaneous Terminals

- General **INFO**
- Sales **INFO**
- Customer Drawings **SPECIFICATIONS**



Line art represents typical product only.

<i>Searchable Features:</i>	
Product Type	Wire Pin
Insulation Support	No
Wire Range	22-16 [0.25-1.60 ²] AWG [mm]
Double Wire	No
<i>Other Properties:</i>	
Dim. L	.559 [14.20] in. [mm]
Dim. T	.071 [1.80] in. [mm]
Dim. W	.071 [1.80] in. [mm]
Dim. X	.264 [6.70] in. [mm]
Shape	WIRE PIN-001
Body Style	AMPLI-BOND, 90° Bent
Barrel Type	Closed Barrel
Receptacle Style	Straight
Insulation	No
Finish	Tin
Material	Copper
DIN Wire Size	[0.50-1.00 ²] in. [mm]
Wire/Cable Type	Regular Wire
AMP Proprietary Name	SOLISTRAND
CERTI-CRIMP Hand Tool	49935, 525693-0 (Great Britain Tool)
CERTI-LOK Hand Tool Frame Assembly	169400
CERTI-LOK Die Assembly	169409