

RJ45 connection: 22 mm, plastic with metal front ring, sand gray



Product brand name	SIRIUS ACT
Product designation	RJ45 connection
Design of the product	RJ-45 Cat. 6
Product type designation	3SU1

Actuator	
Outer diameter of the actuating element	29.45 mm

General technical data	
Protection class IP	IP65





Ambient conditions	
Ambient temperature	
• during operation	-25 ... +70 °C
• during storage	-40 ... +80 °C






Installation/ mounting/ dimensions	
Shape of the installation opening	round
Mounting diameter	22.3 mm
Mounting height	11.7 mm
Installation width	29.45 mm
Installation depth	28.35 mm

Accessories

Material of accessory	Metal
Color of accessory	sand gray

Certificates/approvals

General Product Approval	Declaration of Conformity	Test Certificates	Marine / Shipping
 UR	 EAC	 EG-Konf.	 ABS
	Miscellaneous	Type Test Certificates/Test Report	

Marine / Shipping	other				
 LRS	 PRS	 RINA	 RMRS	 DNV-GL	Confirmation

Further information

Information- and Downloadcenter (Catalogs, Brochures,...)

<http://www.siemens.com/industrial-controls/catalogs>

Industry Mall (Online ordering system)

<https://mall.industry.siemens.com/mall/en/en/Catalog/product?mlfb=3SU1930-0GB80-0AA0>

Cax online generator

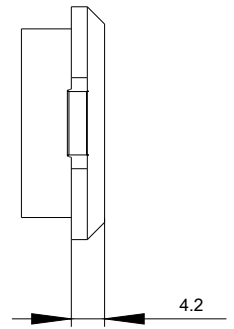
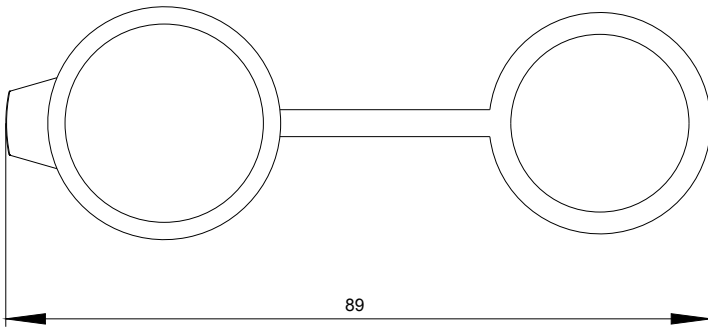
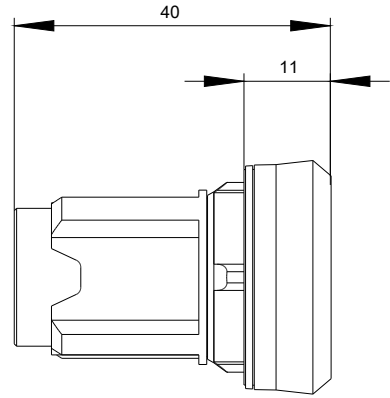
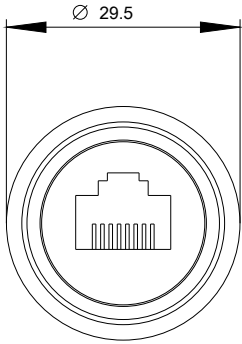
<http://support.automation.siemens.com/WW/CAXorder/default.aspx?lang=en&mlfb=3SU1930-0GB80-0AA0>

Service&Support (Manuals, Certificates, Characteristics, FAQs,...)

<https://support.industry.siemens.com/cs/ww/en/ps/3SU1930-0GB80-0AA0>

Image database (product images, 2D dimension drawings, 3D models, device circuit diagrams, EPLAN macros, ...)

http://www.automation.siemens.com/bilddb/cax_de.aspx?mlfb=3SU1930-0GB80-0AA0&lang=en



last modified:

09/05/2019