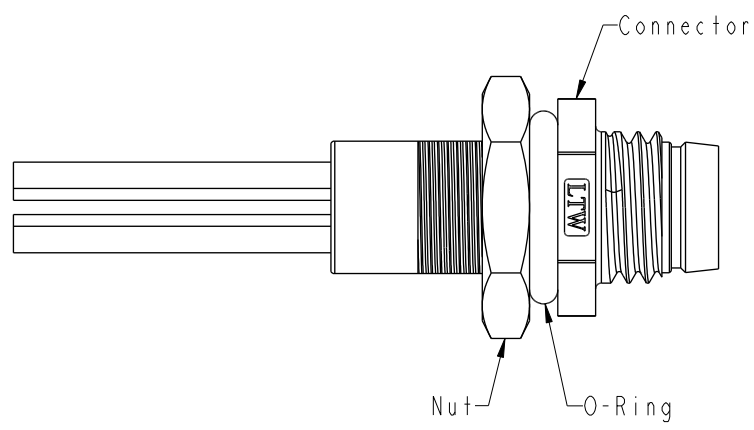
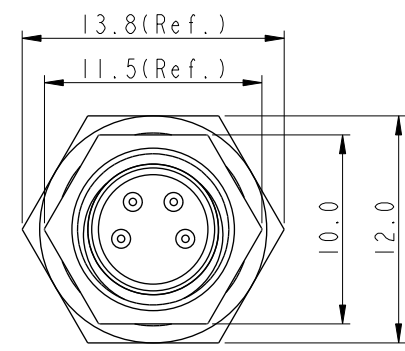
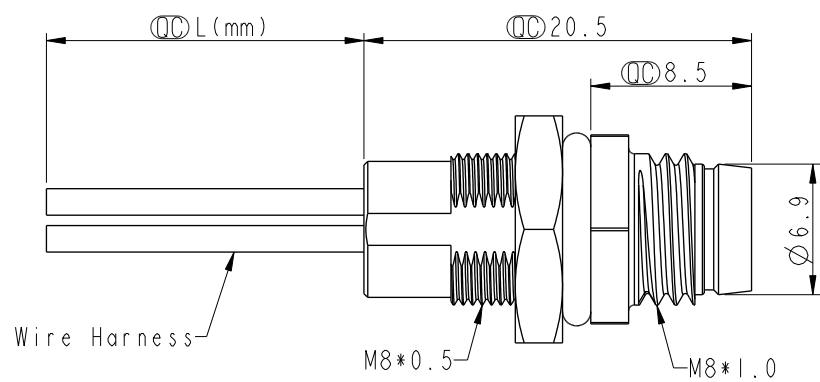
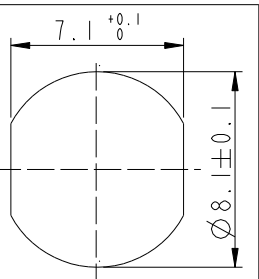


THIS DOCUMENT IS SUBJECT TO CHANGE WITHOUT NOTICE. IT IS CONFIDENTIAL AND A PROPERTY OF Amphenol LTW. DISCLOSURE TO THIRD PARTY HAS TO BE AUTHORIZED BY Amphenol LTW.

REV.	ECN NO.	DATE	SIGN	DESCRIPTION
B	LE31410397~99	2014/01/09	Tony_leng	Change Ball No. & Wire Length
C	E191630	2019/09/18	Ruru	Update Wire Tolerance
D	C210686	2021/05/17	Vicky	$\triangle D$ X8



- $\triangle D$
Note:
- * RoHS Compliant
 - * CC Important dimension
 - * Waterproof rate: IPX7, unmated
 - * Connector
Housing: Thermoplastic, Black
Pin: Copper alloy, Gold plated
 - * Shield: Metal
 - * Nut: Metal
 - * O-Ring: Rubber, Black
 - * Wire harness: UL1007
 - * For panel thickness max: 4.5mm
 - * O-Ring and nut are assembled on connectors
 - * $\triangle B \triangle C$ Wire harness tolerance: 100mm: ± 10 mm
100mm < L \leq 300mm: ± 15 mm
300mm < L \leq 1000mm: ± 20 mm
1000mm < L \leq 1500mm: ± 50 mm



Recommended Panel Cut-Out

UNIT: mm		TITLE		$\triangle D$	ITEM NO	DRAWN BY	DATE
		O SEN, M8 RECEPTACLE, M, M, SOLDER					
TOLERANCE		SCALE	SIZE	SHEET	DWG NO	CHECKED BY	DATE
.X ± 0.25		1:1	A4	1 OF 2	$\triangle D$ 8-XXPMS-SH7AXX	Rita	2019-09-18
.XX ± 0.1		REV.	WC-REV.	CC : Inspection item	CUSTOMER	APPROVED BY	DATE
.XXX ± 0.05		D	B.2		ALTW	Max	2019-09-18
ANGLES $\pm 1^\circ$							

Amphenol LTW
安費諾亮泰企業股份有限公司

THIS DOCUMENT IS SUBJECT TO CHANGE WITHOUT NOTICE. IT IS CONFIDENTIAL AND A PROPERTY OF Amphenol LTW. DISCLOSURE TO THIRD PARTY HAS TO BE AUTHORIZED BY Amphenol LTW.

7		8
4P	24	8-04PMMS-SH7AXX
3P		8-03PMMS-SH7AXX
Contacts	AWG	Item No.



XX: No. Of Pin

10: 100mm
 15: 150mm
 20: 200mm
 ↓
 95: 950mm
 Cable Pitch Unit=50mm

A0: 1000mm
 ↓
 A5: 1500mm
 Cable Pitch Unit=100mm
 Wire Length (L): 150~1500 mm

Pin Out	4	Black	黑	4	Black	黑
	3	Blue	藍	3	Blue	藍
	1	Brown	棕	2	White	白
				1	Brown	棕
	Pin #	Wire		Pin #	Wire	
Conn.	<p>3P</p>			<p>4P</p>		

△ Pin Assignments Front View

UNIT: mm		TITLE	O SEN, M8 RECEPTACLE, M, M, SOLDER	
TOLERANCE	.X ±0.25 .XX ±0.1 .XXX ±0.05 ANGLES ±1°	SCALE	1:1	SIZE A4
		REV.	D	WC-REV. B.2
			SHEET 2 OF 2 ◎: Inspection item	

Amphenol LTW
 安費諾亮泰企業股份有限公司

ITEM NO	8-XXPMMS-SH7AXX	DWG NO	8-XXPMMS-SH7AXX	CUSTOMER	ALTW	DRAWN BY	Ruru	DATE	2019-09-18
		CHECKED BY	Rita	APPROVED BY	Max			DATE	2019-09-18
								DATE	2019-09-18