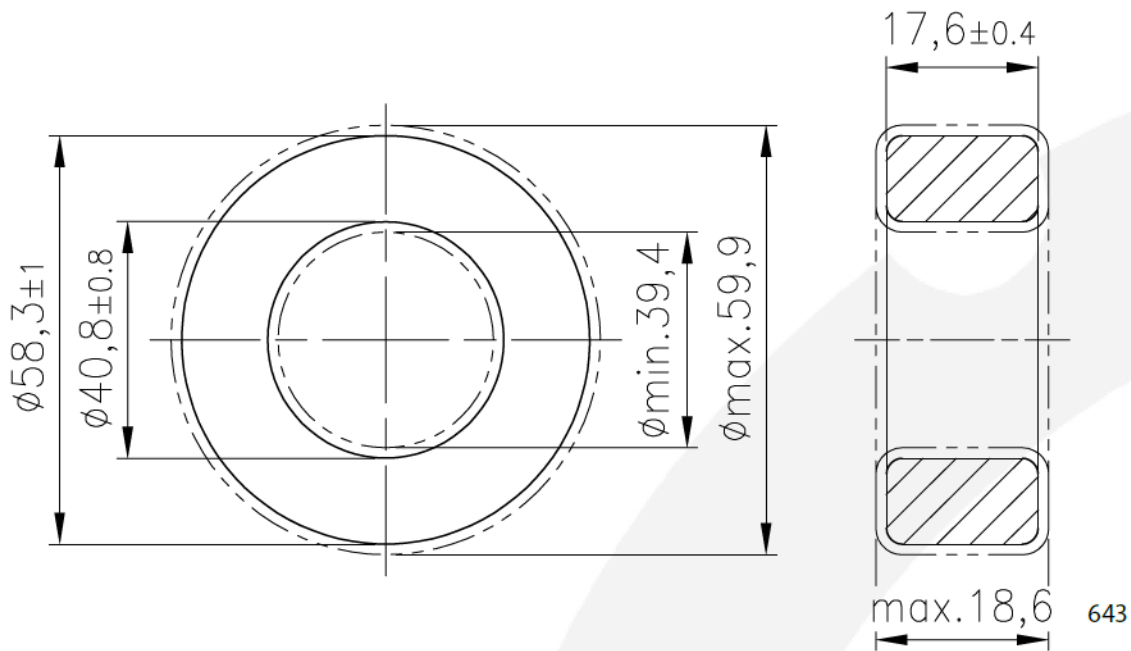


RS Pro Ferrite Ring (39.2mm Max Cable Diameter)

Stock No: 136-9022



core factors	
core factor	$C_1 = 1,00 \text{ mm}^{-1}$
eff. magn. path length	$l_e = 152,4 \text{ mm}$
eff. magn. cross section	$A_e = 152,0 \text{ mm}^2$
eff. magn. volume	$V_e = 23160 \text{ mm}^3$
weight	$G \approx 111,0 \text{ g}$

material	A_L value		coated	order number*
K 4000	5000 nH		$\pm 25 \%$	317 584017 004