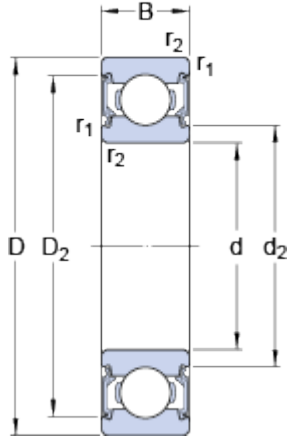


6202-2RSL

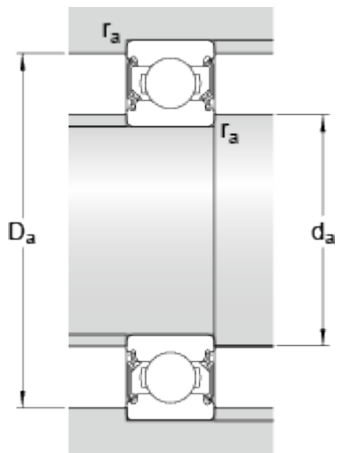
SKF Explorer

Dimensions



d	15	mm
D	35	mm
B	11	mm
d ₂	18.6	mm
D ₂	30.35	mm
r _{1,2} min.	0.6	mm

Abutment dimensions



d _a min.	19.2	mm
d _a max.	19.4	mm
D _a max.	30.8	mm
r _a max.	0.6	mm

Calculation data

Basic dynamic load rating	C	8.1	kN
Basic static load rating	C ₀	3.8	kN
Fatigue load limit	P _u	0.16	kN
Reference speed		43000	r/min
Limiting speed		22000	r/min
Calculation factor	k _r	0.025	
Calculation factor	f ₀	13	

Mass

