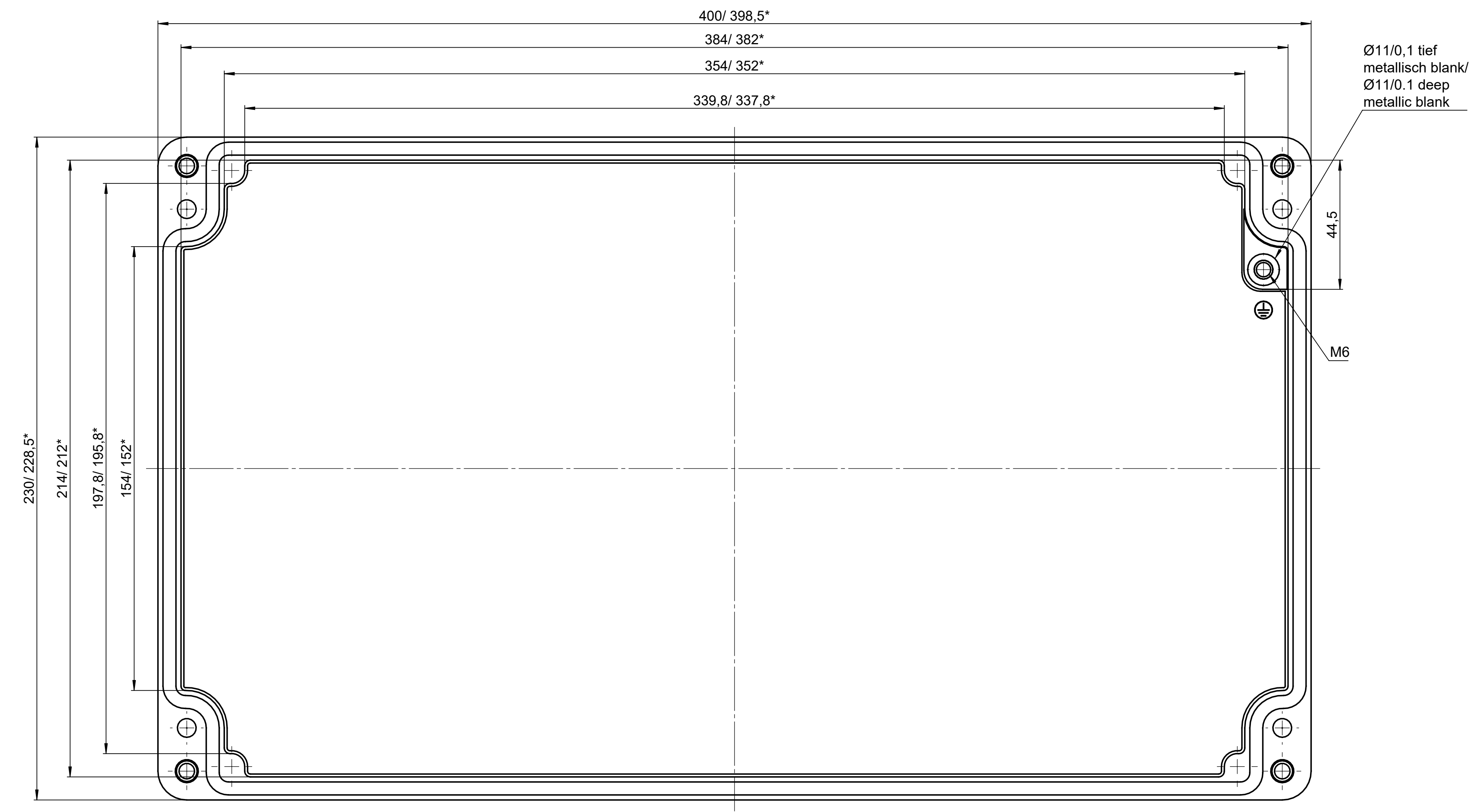
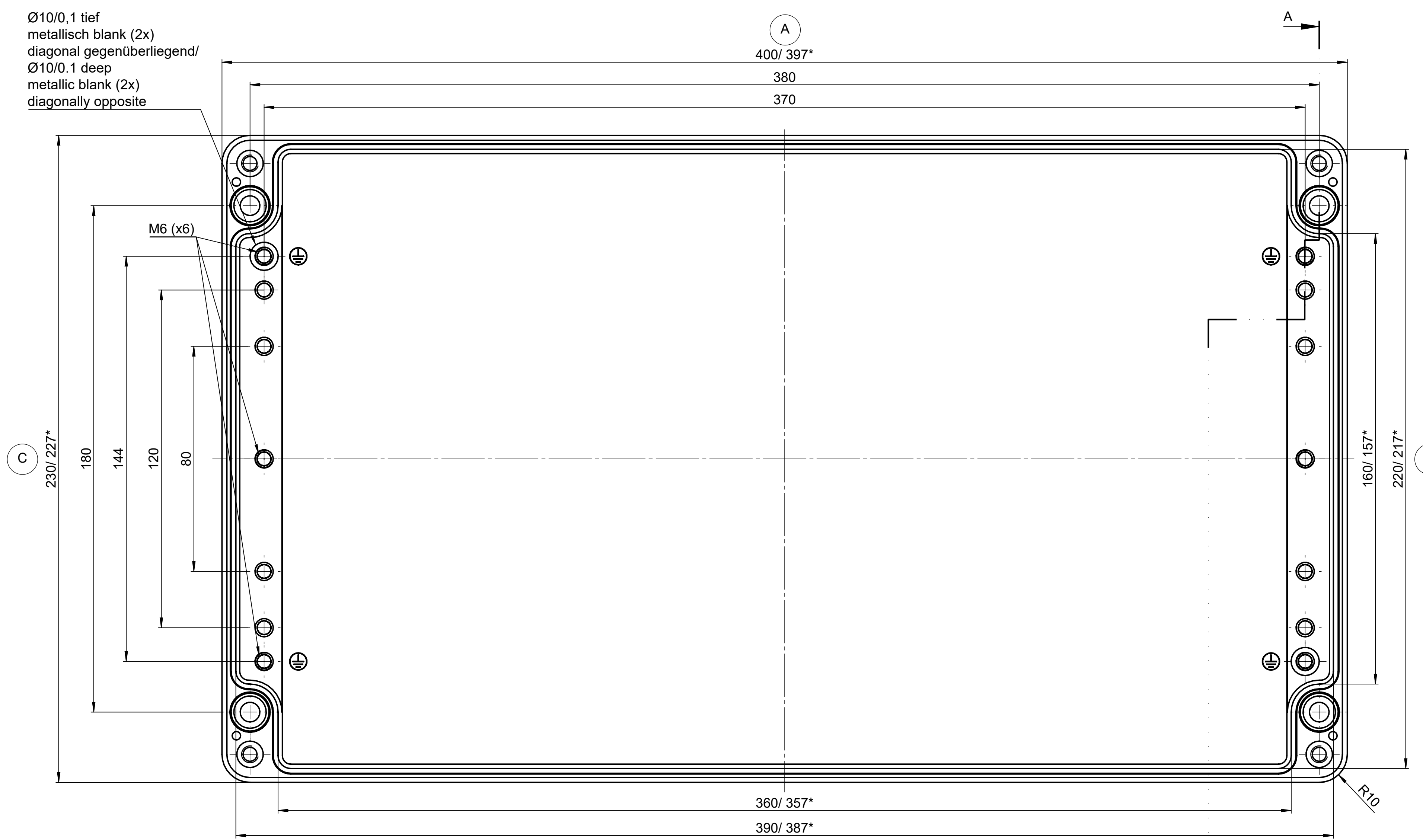


All rights reserved. No copies
 without written permission from ROSE Systemtechnik GmbH
 or its subsidiaries. All dimensions
 in millimeters unless otherwise stated.

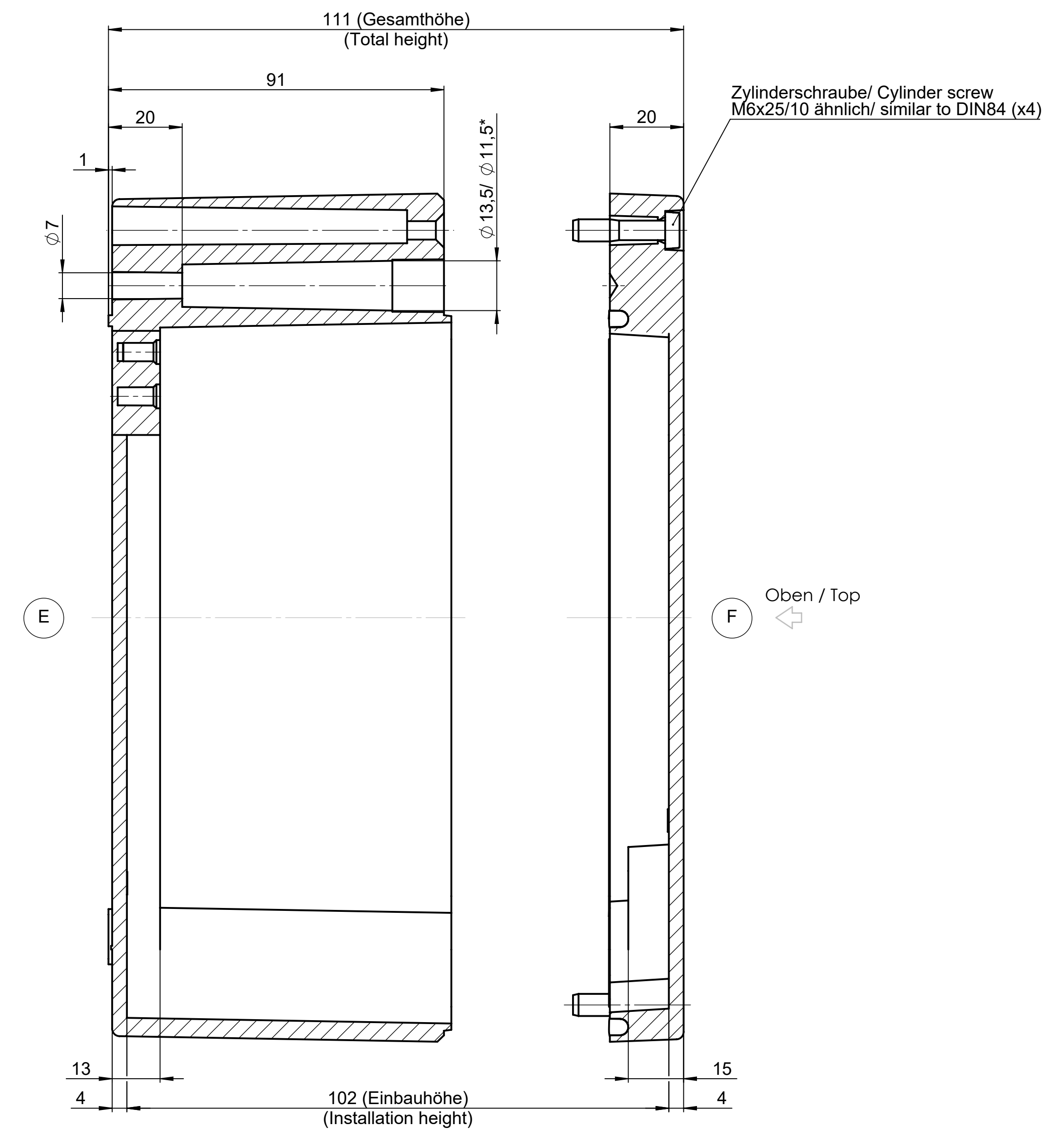


Deckel / Lid

* = Mass durch Formkonizität nach unten verringert.
 Freimass - Toleranz nach GTA 13/5 - DIN 1688
 * = Dimensions reduced in the lower part by mould incline
 General tolerances according to GTA 13/5 - DIN 1688



Unterteil / Base



Oben / Top

Index		Änderung/Modification		Datum/Date		Name		Projekt-Nr./Project-no.	
ROSE		Systemtechnik GmbH		10.11.16		D.Mac		KAT01.234011	
1:1		Benennung/Description		27.01.21		A.Hel		Gewicht/Weight	
DIN A0		Aluminium Gehäuse						4,25kg	
		Aluminium enclosure						Werkstoff/Material	
								DIN 1688-GTA 13/5	