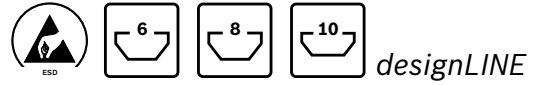
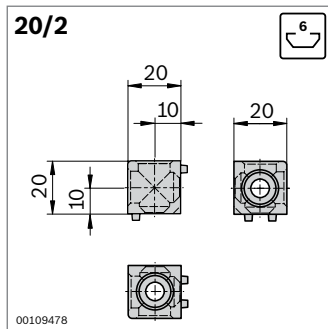


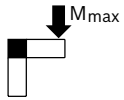
### Cubic connector

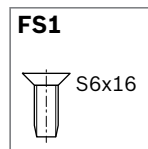








- ▶ For torsion-resistant corner connection of profiles with equal cross-sections
- ▶ *designLINE* version with special silver paint (RAL 9006) for an attractive, high-quality design
- ▶ Cover caps to cover the openings
- ▶ Screw fitting on profile with self-tapping screws
- ▶ Profile finishing: not required

Technical data (p. 19-8)



Type	 M <sub>max</sub>
20/2	18 Nm

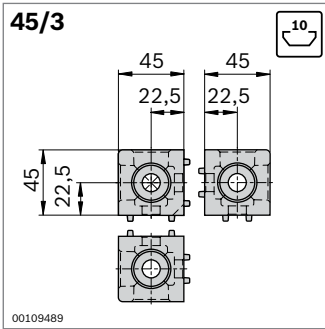


Cubic connector 20/2	Slot	ESD		No.	FS
Set (standard), signal gray	6	 *	1	<b>3 842 549 858</b>	2xFS1
Set <i>designLINE</i> , signal gray	6	 *	1	<b>3 842 549 859</b>	2xFS1
Cubic connector	6		20	<b>3 842 523 875</b>	
Cover cap	signal gray (PP)		100	<b>3 842 548 700</b>	
D12	black (PP)		100	<b>3 842 548 704</b>	
Countersunk screw S6x16	6		100	<b>3 842 517 132</b>	

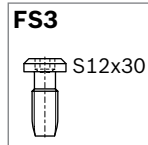
Material: Cubic connector: Die-cast aluminum  
*designLINE* cubic connector: painted (RAL 9006)  
 Fastening material: steel; galvanized

Scope of delivery: set incl. fastening material (FS), caps

Cubic connector creates conductive connection, but the cover caps included in the set are not ESD-compatible.



Type		
45/3	45x45L	170 Nm
	45x45	240 Nm

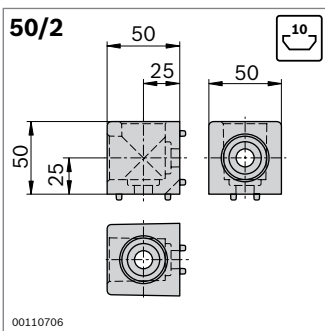


Cubic connector 45/3	Slot	ESD		No.	FS
Set (standard), signal gray	10		1	<b>3 842 549 872</b>	3xFS3
Set <i>designLINE</i> , signal gray	10		1	<b>3 842 549 873</b>	3xFS3
Cubic connector	10		20	<b>3 842 523 874</b>	
Cover cap	signal gray (PP)		100	<b>3 842 548 702</b>	
D24	black (PP)		100	<b>3 842 548 706</b>	
Screw S12x30	10		100	<b>3 842 530 236</b>	

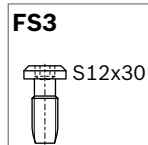
Material: Cubic connector: Die-cast aluminum  
*designLINE* cubic connector: painted (RAL 9006)  
 Fastening material: steel; galvanized

Scope of delivery: set incl. fastening material (FS), caps

Cubic connector creates conductive connection, but the cover caps included in the set are not ESD-compatible.



Type		
50/2		120 Nm

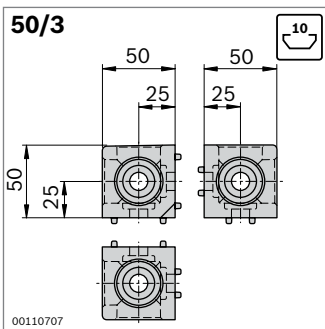


Cubic connector 50/2	Slot	ESD		No.	FS
Set (standard), signal gray	10		1	<b>3 842 549 874</b>	2xFS3
Cubic connector	10		20	<b>3 842 529 012</b>	
Cover cap	signal gray (PP)		100	<b>3 842 548 703</b>	
D30	black (PP)		100	<b>3 842 548 707</b>	
Screw S12x30	10		100	<b>3 842 530 236</b>	

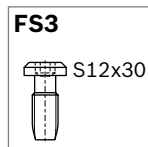
Material: Cubic connector: Die-cast aluminum  
 Fastening material: steel; galvanized

Scope of delivery: set incl. fastening material (FS), caps

Cubic connector creates conductive connection, but the cover caps included in the set are not ESD-compatible.



Type		
50/3		140 Nm



Cubic connector 50/3	Slot	ESD		No.	FS
Set (standard), signal gray	10		1	<b>3 842 549 876</b>	3xFS3
Cubic connector	10		20	<b>3 842 529 013</b>	
Cover cap	signal gray (PP)		100	<b>3 842 548 703</b>	
D30	black (PP)		100	<b>3 842 548 707</b>	
Screw S12x30	10		100	<b>3 842 530 236</b>	

Material: Cubic connector: Die-cast aluminum  
 Fastening material: steel; galvanized

Scope of delivery: set incl. fastening material (FS), caps

Cubic connector creates conductive connection, but the cover caps included in the set are not ESD-compatible.