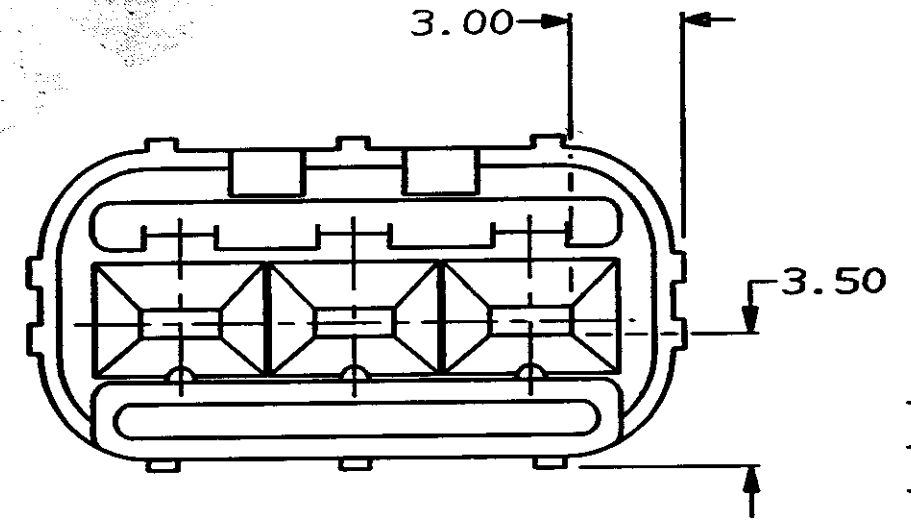
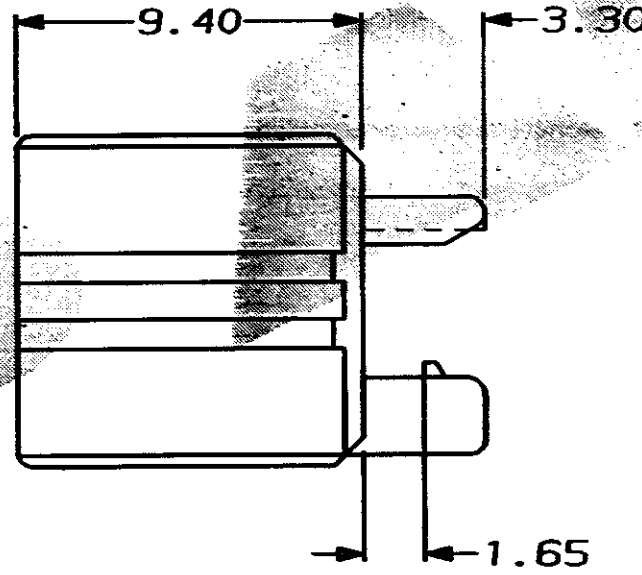
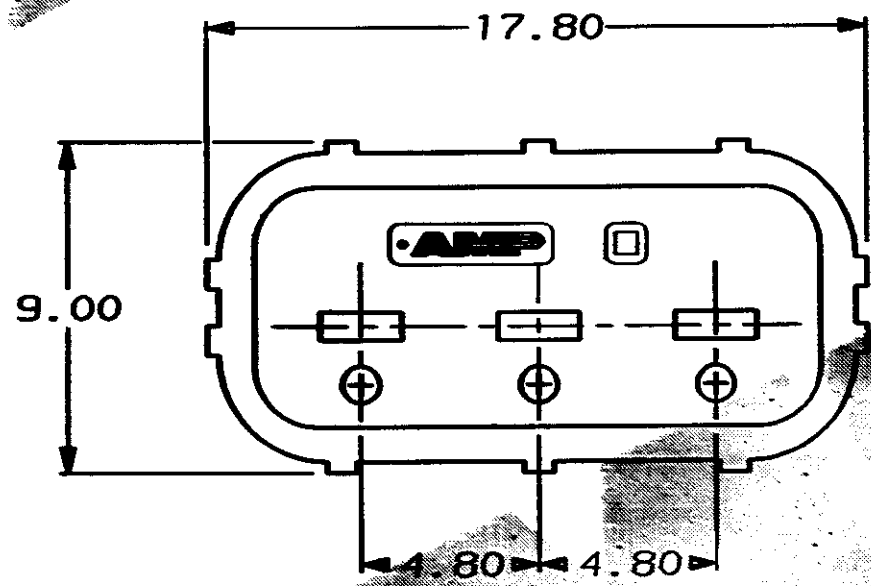
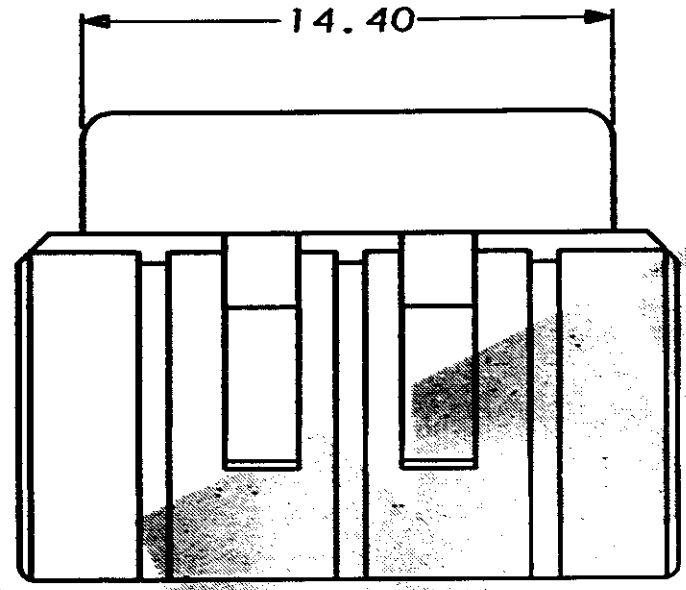
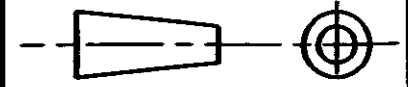


5. C345255.0

DO NOT SCALE

DIMENSIONS IN MM.



NOTE

THIS PART IS USED ON Pt.No. 344271-1

YELLOW		NYLON 66		345255-1	
COLOUR		MATERIAL		PART NUMBER	
CUSTOMER DWG FOR REFERENCE ONLY			©COPYRIGHT 1989 BY AMP OF GREAT BRITAIN LTD. ALL INTERNATIONAL RIGHTS RESERVED. ALL PRODUCTS MAY BE COVERED BY BRITISH AND FOREIGN PATENTS AND/OR PATENTS PENDING.		
TOLERANCES UNLESS OTHERWISE STATED :		DR. R. RUNGALL.		05/12/89	
DEC ± 0.5		CH. D.R. TERRY.		APP. R. SIMMONS.	
ANGLES ± 1°		AMP of Great Britain Ltd.		TERMINAL HOUSE STANMORE HDDX.	
NAME A/BACKOUT FOR 3 WAY TAB HSG. ECONOSEAL 3 LOW CURRENT					
0	REL. FOR PRODUCTION	C3500	10/08/89	SCALE	LOC
REV	APPROVED	ECN	DATE	5/1	E
				SIZE	DWG.No.
				A3	C345255
				REV	SHEET
				0	1/1