



ENGLISH

Datasheet

Stock No: 1241044

RS Pro Analogue Thermostat with Digital Display



At a glance

- 96 x 96mm, 1/4 DIN Format
- Digital display shows process temperature or setpoint
- On-Off or time proportional control
- Fe-Const thermocouple
- Output relay de-energizes on sensor failure
- Easy setting procedure
- CE marked

Overview

Analogue temperature controller for easy control of temperature from 0 to 400°C. Sensor type can either be J or K type thermocouple with a single relay output.

Application Areas

Plastic injection presses, automatic bread making ovens, nylon bag machines, shrink packing machines, furniture presses, industrial ovens, textile machines, ironing presses and other temperature control applications.



ENGLISH

Specifications

Environmental Conditions

Ambient / Storage Temperature	0 ... +50°C/-25... +70°C
Max. Relative Humidity	80% up to 31°C decreasing linearly 50% at 40°C.
Protection Class	According to EN60529; Front panel : IP65 Rear Panel : IP20
Height	Max. 2000m

Electrical Characteristics

Supply	230V AC +10% -20%, 50/60Hz
Power Consumption	Max. 5VA
Wiring	2.5mm ² screw-terminal connection.
Scale	0 ... 400°C
Sensitivity	1°C
Accuracy	For adjustment $\pm 4\%$, for display $\pm 0,5\%$ (of full scale) or ± 1 digit.
Display	3 digits, 7.6mm, 7 segment red LED
Data Retention	EEPROM (at least 10 years)
EMC	EN 61326-1 : 2013
Safety Requirements	EN 61010-1 : 2010 (Pollution degree 2, overvoltage category II)

Outputs

Control Output	Relay : 250V AC, 2A (for resistive load), NO+NC
Life Expectancy for Relay	Mechanical 30.000.000 operation; electrical 300.000 operation

Control

Control Type	Single-setpoint control.
Control Algorithm	On-Off / time proportional (optional)
A/D Converter	10 bits
Proportional Band	2% (for time proportional control)
Control Period	10 second (for time proportional control)
Hysteresis	4°C (for On-Off control)

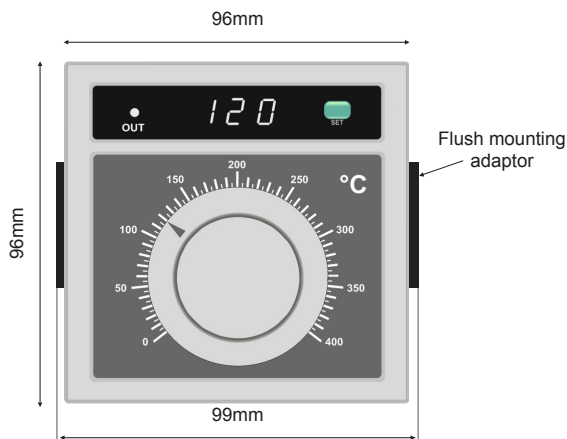
Housing

Housing Type	Suitable for flush-panel mounting
Dimensions	H96xW96xD50mm
Weight	Approx. 250g (After packing)
Enclosure Material	Self extinguishing plastics.

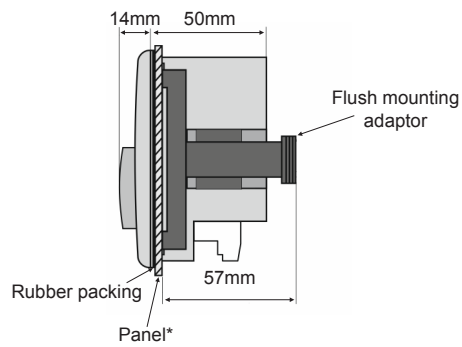
Dimensions

Front Fascia 96 x 96mm.

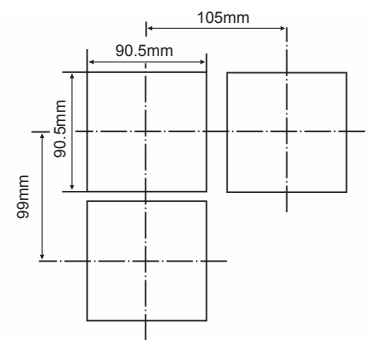
Front



Depth



Panel cut-out



**Panel thickness should be maximum 10mm.*

Ordering

Stock Number

1241044

Supply Voltage

230V ac

Number Outputs

1 x Relay