

Excerpts from the original instructions

Orion3 Extended

Safety light grids

Type 4 Active Opto-electronic Protective Device (AOPD)




- [EN] The complete instruction manual is delivered with the product in a digital format and can also be downloaded from:
- [SE] Den fullständiga bruksanvisningen levereras med produkten i digitalt format och kan även laddas ned från:
- [DE] Die vollständige Bedienungsanleitung in digitaler Form wird mit dem Produkt geliefert und steht auch unter dieser Adresse zum Download bereit:
- [IT] Il manuale di istruzioni completo viene fornito in formato digitale con il prodotto e può anche essere scaricato da:
- [FR] La notice d'instructions complète est fournie avec le produit au format numérique et peut également être téléchargée sur le site :
- [ES] El manual de instrucciones completo se entrega junto con el producto en formato digital y también puede descargarse en este enlace:

www.abb.com/jokabsafety



While every effort has been taken to ensure the accuracy of information contained in this book and any associated promotional and information material ABB Jokab Safety cannot accept responsibility for errors or omissions and reserves the right to make any improvements without notice. It is the user's responsibility to ensure that this equipment is correctly designed, specified, installed, cared for and operated to meet all applicable local, national and international codes/regulations. Technical data in our book is correct to the level of accuracy of ABB Jokab Safety's test procedures as verified by various international approved bodies. Other information (such as application examples, wiring diagrams, operation or use) is intended solely to illustrate the various uses of our products. ABB Jokab Safety does not guarantee or imply that the product when used in accordance with such examples in a particular environment will fulfil any particular safety requirement and does not assume any responsibility or liability for actual use of the product based on the examples given.

Safety information


 **Warning!** For a correct and safe use of the Orion3 Extended light grids, the following points must be observed:


- The stopping system of the machine must be electrically controlled.
- This control system must be able to stop the hazardous movement of the machine within the total machine stopping time T as per paragraph “Minimum installation distance” of the instruction manual, and during all working cycle phases.
- Mounting and connection of the AOPD must be carried out by qualified personnel only, according to the indications included in the special sections of the instruction manual and in the applicable standards.
- The AOPD must be securely placed in a particular position so that access to the hazard zone is not possible without the interruption of the beams, see paragraph “Installation” of the instruction manual.
- The personnel operating in the hazard zone must be well trained and must have adequate knowledge of all the operating procedures of the AOPD.
- The RESET button must be located outside the hazard zone because the operator must check the entire hazard zone during all the reset and override operations. It must be impossible to reach the button from the hazard zone.
- The external lamp signaling that muting is active must be visible from all operating sides.
- Please carefully respect the mounting instructions for the muting sensors, see paragraph “Muting” of the instruction manual.
- If the external device monitoring (EDM) function is to be used, it must be activated with the dip-switches.

Please carefully read the instructions for the correct functioning before powering the AOPD.

Installation

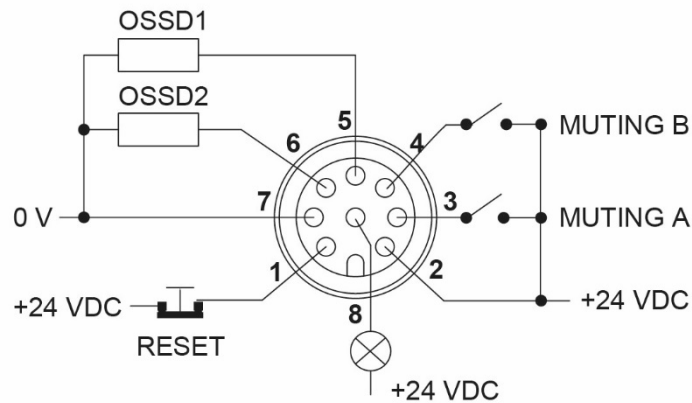
- The outputs (OSSD) of the AOPD must be used as machine stopping devices and not as command devices. The machine must have its own Start command.
- The dimension of the smallest object to be detected must be larger than the resolution of the AOPD.
- The AOPD must be installed in a room complying with the technical characteristics indicated in paragraph “Technical data” of the instruction manual.
- Do not place the AOPD near strong and/or flashing light sources or similar devices.
- Strong electromagnetic interferences can jeopardize the function of the AOPD. Please contact your ABB Jokab Safety representative for advice.
- The operating distance of the device can be reduced in presence of smog, fog or airborne dust.
- A sudden change in environment temperature, with very low minimum peaks, can generate a small condensation layer on the lenses and so jeopardize the function.
- Reflecting surfaces placed near the light beams of the AOPD (over, under or laterally) can cause passive reflections. These reflections can compromise the recognition of an object inside the detection zone.
- The Muting/Override function is signaled by a muting/override lamp. Make sure that the lamp has sufficient lighting and is visibly positioned near the hazard zone.
- Make sure to correctly use the muting sensors as described in paragraph “Muting” of the instruction manual.
- Avoid incongruent connections that cannot be controlled and thus, exclude undesired potentially dangerous activations.

 **Warning!** The minimum installation distance must be respected. For more information about its calculation, please refer to the instruction manual or EN ISO 13855:2010.

 **Warning!** Make sure to test the function and to perform the checks described in paragraph “Checks after first installation” of the instruction manual before machine start-up.

Electrical connections

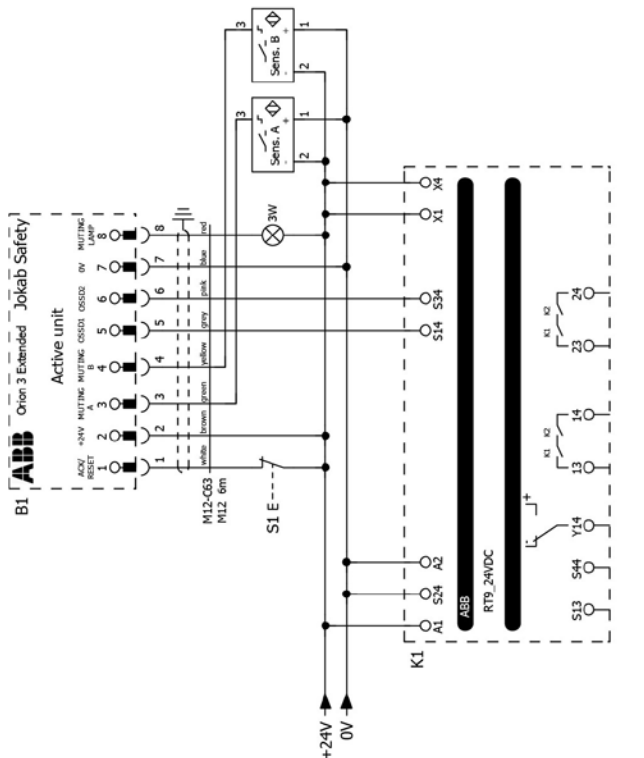
Active unit



Pin	Wire ¹	Function	Connection to
1	White		Auto. Reset with no function
		RESET	Auto. Reset with EDM
		ACKN.	Manual Reset with no function
		EDM	Manual Reset with EDM
2	Brown	Supply	+24 VDC
3	Green	MUTING A	Muting sensor A
4	Yellow	MUTING B	Muting sensor B
5	Grey	OSSD1	Safety control module for ex.
6	Pink	OSSD2	Safety control module for ex.
7	Blue	Supply	0 V
8	Red	Muting lamp	Muting lamp and +24 VDC

¹ Colors according to ABB Jokab Safety standard cables.

Connection example to a RT9 safety relay

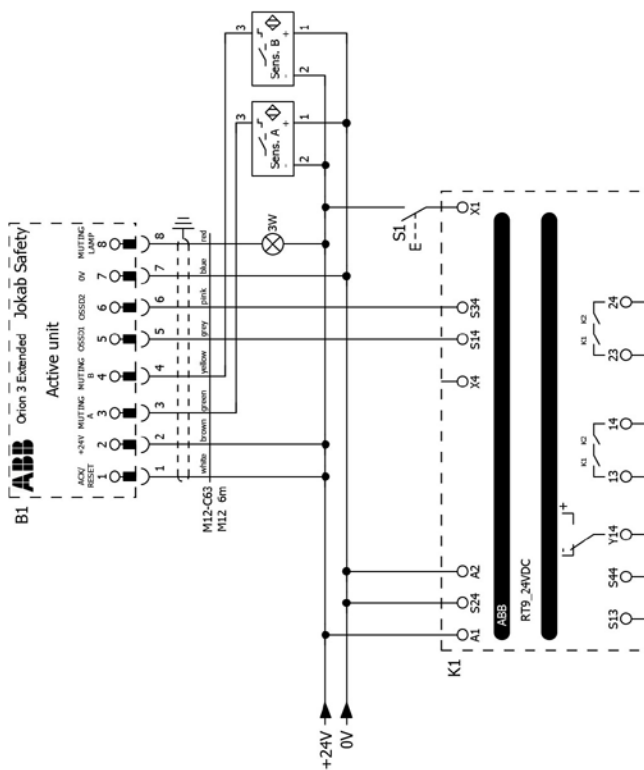


ORION3 Extended with muting sensors

Reset button connected to the light guard

Configuration of the light guard:

- Manual reset
- EDM deactivated



ORION3 Extended with muting sensors

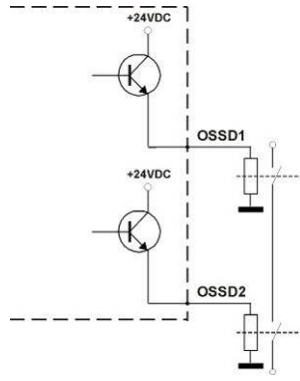
Reset button connected to the safety relay

Configuration of the light guard:

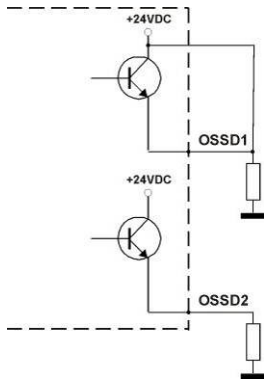
- Automatic reset
- EDM deactivated

Connection of the OSSD outputs

YES

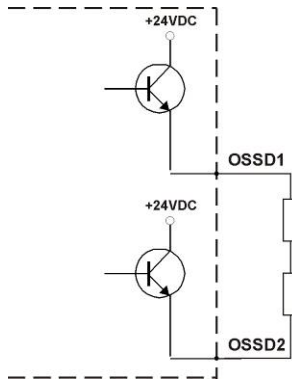


NO

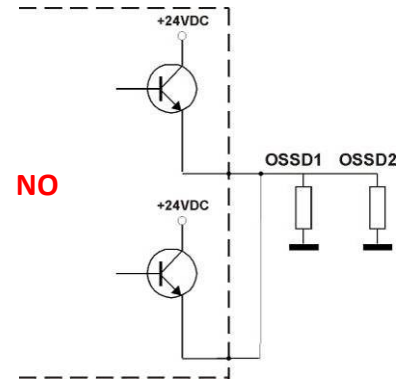


YES

NO

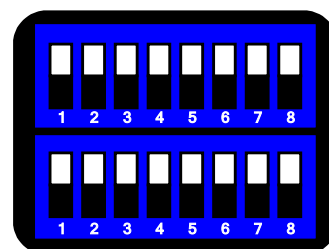
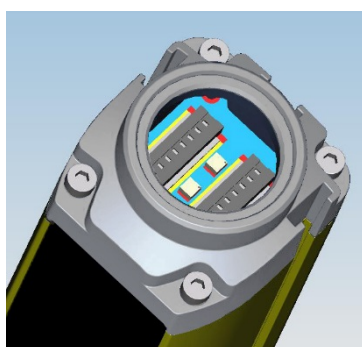
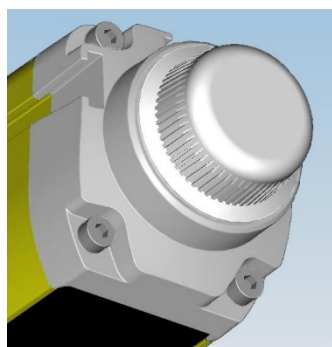


NO



Functions

Unscrew the cap on top of the active unit to access the dip-switches.



NB: Each function is associated with two different dip-switches: the top and bottom dip-switches must be configured in the same manner. The “ON” position is the position at delivery.

The dip-switches allows to set the functions as described in the following table:

Dip-switches	Function	ON*	OFF
1	Muting timeout	10 min	∞
2	T / X or L-muting	T / X-muting	L-muting
3	Muting filter	Deactivated	Activated
4	Reset of the Override	Manual	Automatic
5	Not used	-	-
6	EDM	Deactivated	Activated
7	Reset	Automatic	Manual
8	Not used	-	-

*Factory default configuration

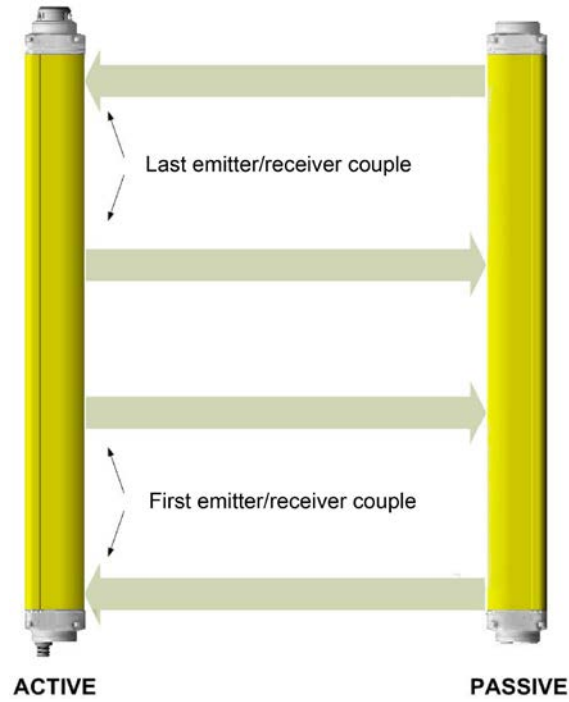
Warning! An infinite muting (timeout = ∞) is not compliant with EN 61496-1:2013. Therefore, all possible risks must be considered and related precautions undertaken before selecting the option “ ∞ ”.

Warning! The device does not accept configuration changes during normal operation. A change is taken into account after the next powering of the device. Therefore, the management and the use of the configuration dip-switches should be performed with great care.

Alignment procedure

The alignment between the active and the passive unit is necessary to obtain the correct functioning of the AOPD. A good alignment prevents outputs instability due to dust or vibration.

The alignment is perfect if the optical axes of the beams of the active unit coincide with the optical axes of the corresponding mirrors on the passive unit.



The alignment is performed after having completed the mechanical installation and the electrical connections.

The Alignment mode is activated by pushing the RESET push-button for at least 0.5 s at power on.

- 1) Keep the active unit in a steady position and adjust the passive unit until the yellow LED (▼ FIRST) turns off. This condition shows the alignment of the first transmitter/receiver couple.
- 2) Rotate the passive unit, pivoting around the lower optics axis, until the yellow LED (▲ LAST) turns off.

NB: Make sure that the green LED (➡) is on and steady.

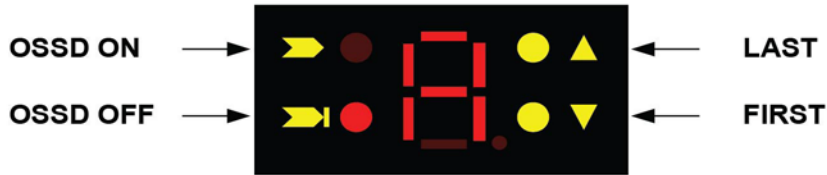
- 3) Slightly turn both units both ways to find the limits of the area in which the green LED (➡) is steady and “3” is displayed (Maximum alignment). Place both units in the center of this area.
- 4) Fix the two units firmly using brackets.

Check that the green LED (➡) on the active unit is on when the beams are not interrupted. Then check that the red LED (➡I) turns on when one single beam is interrupted. This check shall be made with the special cylindrical “Test Piece” having a suitable size for the resolution of the device used (see paragraph “Checks after first installation” of the instruction manual).

- 5) Switch the device off and on to normal operating mode.

Display	Alignment status	Alignment quality	Output status when out of alignment mode
	First and last couple are not aligned	Bad	OSSD OFF
	Last couple is not aligned	Bad	OSSD OFF
	First couple is not aligned	Bad	OSSD OFF
	Every couple over the lower light reception threshold and no couple over the upper light reception threshold	Good	OSSD ON
	Every couple over the lower light reception threshold and one couple over the upper light reception threshold		OSSD ON
	Every couple over the upper light reception threshold		Excellent

Display and diagnostic functions



Display	Alignment status	Alignment quality
	Every couple over the lower light reception threshold and no couple over the upper light reception threshold	
	Every couple over the lower light reception threshold and one couple over the upper light reception threshold	
	Every couple over the upper light reception threshold	

Display	Status	Description	Action
	Interlock	Detection zone free. OSSD outputs off.	Push the RESET button to return to OSSD ON.
	Interlock	Beam(s) interrupted. OSSD outputs off.	Remove the object from the detection zone and push the RESET button.
	OSSD ON	OSSD outputs on.	
	OSSD OFF	OSSD outputs off.	
	Normal operation mode, OSSD OFF, interlock	EDM function activated.	
	Normal operation mode, OSSD OFF, interlock	EDM function deactivated.	
	OSSD OFF, interlock	Override function ready to be activated	Activate the Override function according to paragraph "Override" of the instruction manual.
	Error mode	OSSD error, one or both. OSSD outputs off.	Check the wiring and connections of the OSSD outputs. Make sure that there is no short-circuit between them or with the supply voltage. Then Acknowledge. If the error persists, contact your ABB Jokab Safety representative.

	Error mode (critical)	Microprocessor error. OSSD outputs off.	Turn AOPD off and on. If the error persists, contact your ABB Jokab Safety representative.
	Error mode	Optical error. OSSD outputs off.	Acknowledge the error. If the error persists, contact your ABB Jokab Safety representative.
	Error mode	EDM error. OSSD outputs off.	Check the wiring and the connections of EDM SELECTION and EDM as well as the time sequence (see the Time chart in the instruction manual). Acknowledge the error. If the error persists, contact your ABB Jokab Safety representative.
	OSSD OFF	Override sequence error, OSSD outputs off	Check the time sequence of the Override function (see the Time chart in the instruction manual). If the error persists, contact your ABB Jokab Safety representative
	Error mode (critical)	Dip switch error, OSSD outputs off	Check the settings of the dip-switches and turn the AOPD on and off. If the error persists, contact your ABB Jokab Safety representative.
	Error mode	Internal and external lamp error, OSSD outputs off	Check the connection of the external lamp and acknowledge. If the error persists, contact your ABB Jokab Safety representative
	AOPD OFF	Power supply error. OSSD outputs off.	Check the wiring and connections of the power supply. Check that its value is within the allowed range. If the error persists, contact your ABB Jokab Safety representative.

It is not possible to acknowledge a critical error. The device must be switched off and on. If the error persists, contact your ABB Jokab Safety representative.

Technical data

Manufacturer	
Address	ABB JOKAB SAFETY Varlabergsvägen 11 SE-434 39 Kungsbacka, Sweden
Electrical data	
Power supply:	+24 VDC ± 20 %
Active unit consumption (RX):	2.5 W max (normal operation without load)
Outputs:	2 PNP
Short-circuit protection:	1.4 A max at 55 °C
Output current	0.5 A max / output
Output voltage – status ON:	Power supply value less 1 V
Output voltage – status OFF	0.2 V
Capacitive load	2.2 µF at +24 VDC max
Current for external lamp:	20 mA min, 250 mA max
Response times:	From 11 to 12 ms. See paragraph 12 of the instruction manual
Protected height:	From 500 mm to 1200 mm. See paragraph 12 of the instruction manual.
Electrical protection:	Class III - use SELV/PELV
Connections:	M12-8 poles male connector
Cables length (for power supply):	70 m. max
Pollution degree	2
Optical data	
Emitting light (λ):	Infrared, LED (860 nm)
Resolution:	See paragraph 12 of the instruction manual.
Operating distance:	From 0.5 to 8 m. See paragraph 12 of the instruction manual
Ambient light rejection:	According to IEC-61496-2:2013

Mechanical and environmental data	
Operating temperature:	0...+ 55 °C
Storage temperature:	- 25...+ 70 °C
Temperature class:	T6
Humidity:	15...95 % (no condensation)
Protection class:	IP65 (EN 60529:2000)
Vibrations:	Width 0.35 mm, Frequency 10 ... 55 Hz 20 sweep per axis, 1 octave/min (EN 60068-2-6:2008)
Shock resistance:	16 ms (10 G) 10 ³ shocks per axis (EN 60068-2-29: 2008)
Housing material:	Painted aluminum (yellow RAL 1003)
Front glass material:	PMMA
Caps material:	PBT Valox 508 (grey RAL 7035)
Weight, single unit without package:	
Orion3-4-K1C-050-E	1.3 Kg
Orion3-4-K2C-080-E	1.8 Kg
Orion3-4-K2C-090-E	2.1 Kg
Orion3-4-K2C-120-E	2.6 Kg
Orion3-4-M1C-050 (passive)	1.2 Kg
Orion3-4-M2C-080 (passive)	1.7 Kg
Orion3-4-M2C-090 (passive)	1.9 Kg
Orion3-4-M2C-120 (passive)	2.5 Kg

Functional safety data	
EN ISO 13849-1:2008	PL e, Cat 4
EN IEC 61508-1:2010, EN IEC 61508-2:2010, EN IEC 61508-3:2010, EN IEC 61508-4:2010	SIL 3
EN IEC 62061:2005/A1:2013	SIL CL 3
Prob. of Dangerous Failure/Hour (1/h)	PFH _d 8.57x10 ⁻⁹
Life span (years)	T1 20
Mean Time to Dangerous Failure (years)	MTTF _d 439

EC Declaration of conformity

A copy of the EC Declaration of conformity can be found in the Instruction Manual and can also be downloaded from www.abb.com/jokabsafety

Utdrag ur den ursprungliga bruksanvisningen

Orion3 Extended

Säkerhetsljusbom

Aktiv optoelektronisk skyddsanordning (AOPD), typ 4




Den fullständiga bruksanvisningen levereras med produkten i digitalt format och kan även laddas ned från:

www.abb.com/jokabsafety



Även om allt gjorts för att säkerställa riktigheten hos informationen i denna manual och eventuellt tillhörande kampanj- eller informationsmaterial, fransäger sig ABB Jokab Safety ansvar för fel eller försummelser och förbehåller sig rätten att göra ändringar och förbättringar utan föregående meddelande. Det åligger användaren att säkerställa att utrustningen är korrekt konstruerad, specificerad, installerad, skött och hanterad för att uppfylla alla tillämpliga lokala, nationella och internationella regler och föreskrifter. Tekniska data i denna manual är korrekta enligt ABB Jokab Safetys testprocedurer som är kontrollerade av olika internationella godkända organ. Annan information (t.ex. applikationsexempel, kopplingsscheman, drift eller användning) är endast avsedd att illustrera de olika användningsområdena för våra produkter. ABB Jokab Safety utfärdar ingen garanti för att produkten uppfyller specifika säkerhetskrav om den används i de fall som anges ovan och tar inget ansvar för faktisk användning av produkten utifrån de givna exemplen.

Säkerhetsinformation


 **Varning!** Punkterna nedan ska följas för korrekt och säker användning av Orion3 Extended ljusbommar:


- Maskinens stoppsystem ska vara elektriskt styrt.
- Detta styrsystem ska kunna stoppa farliga rörelser hos maskinen inom den totala stopptiden för maskinen T enligt avsnittet "Min. installationsavstånd" i bruksanvisningen, samt i alla faser av arbetscykeln.
- Montering och anslutning av AOPD:en får endast utföras av kvalificerad personal enligt de anvisningar som finns i de särskilda avsnitten i bruksanvisningen och i tillämpliga standarder.
- AOPD:en ska placeras på en särskild position så att det inte går att nå riskzonen utan att bryta strålarna (se avsnittet "Installation" i bruksanvisningen).
- Personal som arbetar i riskzonen ska vara utbildade och ha adekvat kunskap om AOPD:ens drifförlopp.
- TEST/ÅTERSTÄLLNINGS-knappen ska vara placerad utanför riskzonen eftersom operatören ska kontrollera hela riskzonen under alla återställningar och förbikopplingar. Det ska vara omöjligt att nå knappen från riskzonen.
- Den externa lampa som signalerar att muting är aktivt måste vara synlig från alla sidor där arbete utförs.
- Iaktta monteringsanvisningarna för mutingsensorerna noggrant, se avsnittet "Muting" i bruksanvisningen.
- Om funktionen för övervakning med extern anordning (EDM) ska användas, måste den aktiveras med DIP-switchar.

Läs instruktionerna för korrekt funktion noga innan AOPD:en startas.

Installation

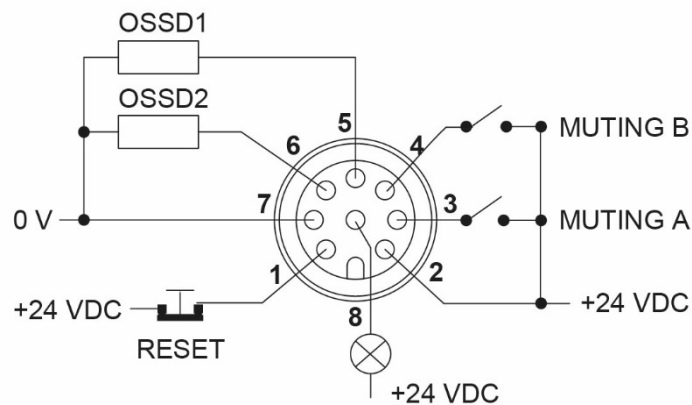
- Utgångarna (OSSD) på AOPD:en ska användas för att stoppa maskinen och inte för manövrering. Maskinen ska ha ett eget startkommando.
- Måttet för det minsta föremålet som ska detekteras ska vara större än upplösningen för AOPD:en.
- AOPD:en ska installeras i ett utrymme som uppfyller de tekniska specifikationer som anges i avsnittet "Tekniska specifikationer" i bruksanvisningen.
- Placera inte AOPD:en nära kraftiga och/eller blinkande ljuskällor eller liknande anordningar.
- Kraftiga elektromagnetiska störningar kan störa AOPD:ens funktion. Kontakta din representant för ABB Jokab Safety för rådgivning.
- Anordningens arbetsräckvidd kan reduceras av rök, dimma eller luftburet damm.
- En plötslig förändring i omgivningstemperaturen med mycket låga minimitoppar kan orsaka ett kondenslager på linserna och störa funktionen.
- Reflekterande ytor nära AOPD:ens strålar (över, under eller vid sidan) kan orsaka passiva reflektioner. Dessa reflektioner kan påverka detektering av föremål i detekteringszonen.
- Funktionen för muting/förbikoppling signaleras med en lampa för muting/förbikoppling. Kontrollera att lampan har tillräcklig belysning och är synligt placerad nära riskzonen.
- Se till att mutingsensorerna används korrekt i enlighet med avsnittet "Muting" i bruksanvisningen.
- Undvik felaktiga anslutningar som inte kan kontrolleras för att inte riskera oönskade och potentiellt farliga aktiveringar.

 **Varning!** Min. installationsavstånd måste följas. För mer information om denna beräkning, se bruksanvisningen eller EN ISO 13855:2010.

 **Varning!** Se till att testa funktionen och utföra de kontroller som beskrivs i avsnittet "Kontroller efter första installationen" i bruksanvisningen innan maskinen startas.

Elektriska anslutningar

Aktiv enhet

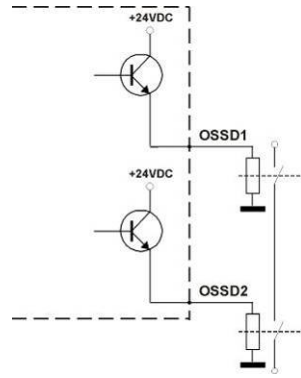


Stift	Ledare ¹	Funktion	Anslutning till	
1	Vit	ÅTERSTÄLLNING BEKRÄFTELSE EDM	Auto. Återställning utan funktion	+24 VDC
			Auto. Återställ med EDM	NC-kontakt från tvångsstyrt relä till +24 VDC
			Manuell återställning utan funktion	NC-kontakt till +24 VDC
			Manuell återställning med EDM	NC-kontakt seriekopplad med NC-kontakt från tvångsstyrt relä till +24 VDC
2	Brun	Spänningsförsörjning	+24 VDC	
3	Grön	MUTING A	Mutingsensor A	
4	Gul	MUTING B	Mutingsensor B	
5	Grå	OSSD1	T ex. säkerhetsmodul	
6	Rosa	OSSD2	T ex. säkerhetsmodul	
7	Blå	Spänningsförsörjning	0 V	
8	Röd	Mutinglampa	Mutinglampa och +24 VDC	

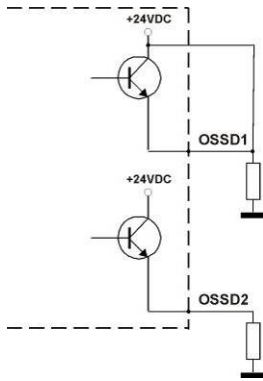
¹ Färger enligt ABB Jokab Safetys standardkablar.

Anslutning för OSSD-utgångar

JA

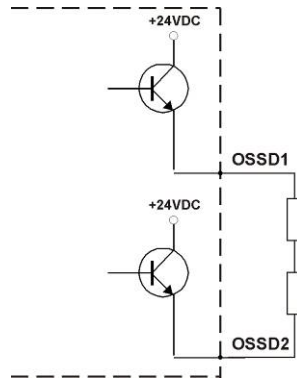


NEJ

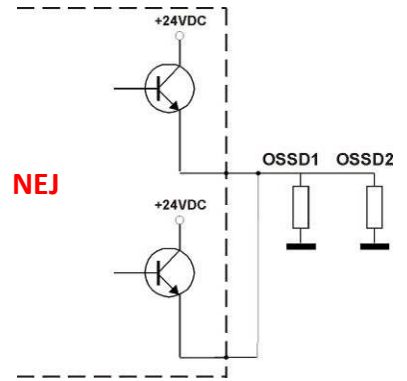


JA

NEJ

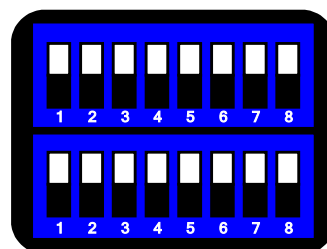
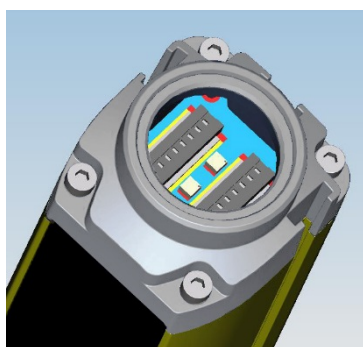
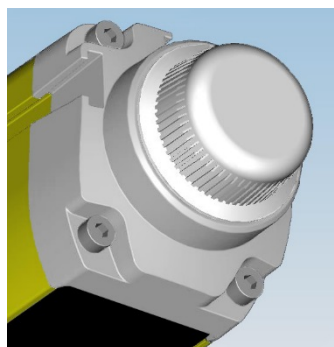


NEJ



Funktioner

Skruva av locket på den aktiva enheten för att komma åt DIP-switcharna.



OBS! Varje funktion är associerad med två olika DIP-switchar: de övre och undre DIP-switcharna måste konfigureras på samma sätt. De står i positionen PÅ vid leverans.

Med DIP-switcharna kan funktionerna som beskrivs i följande tabell ställas in:

DIP-switchar	Funktion	ON*	OFF
1	Mutingtimeout	10 min	∞
2	T/X- eller L-muting	T/X-muting	L-muting
3	Mutingfilter	Inaktiverad	Aktiverad
4	Återställning av förbikoppling	Manuell	Automatisk
5	Används inte	-	-
6	EDM	Inaktiverad	Aktiverad
7	Återställning	Automatisk	Manuell
8	Används inte	-	-

*Fabriksinställd konfiguration

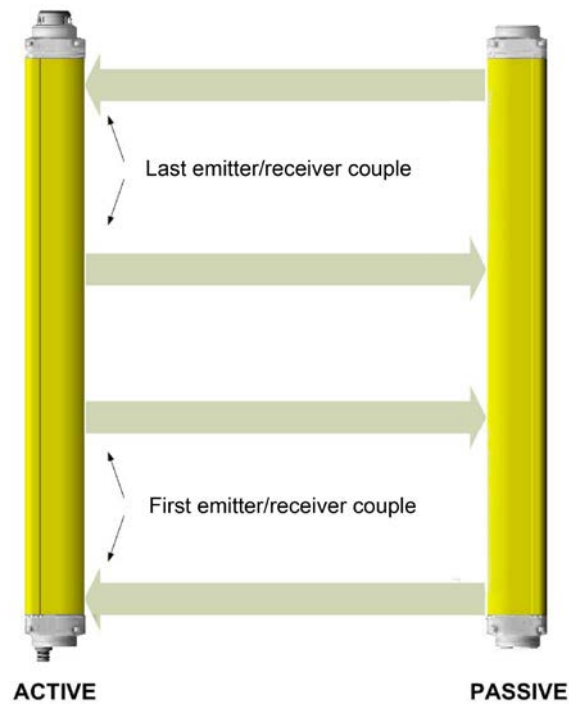
⚠ Varning! Oändlig muting (timeout = ∞) uppfyller inte kraven i SS-EN 61496-1:2013. Därför måste alla möjliga risker beaktas och lämpliga försiktighetsåtgärder vidtas innan alternativet "∞" väljs.

⚠ Varning! Konfigurationen kan inte ändras under normal drift. Ändringar verkställs inte förrän anordningen startas om nästa gång. Var därför mycket noga vid konfiguration med DIP-switcharna.

Inriktning

Inriktning av den aktiva och passiva enheten är nödvändig för att AOPD:en ska fungera korrekt. En väl utförd inriktning förhindrar utgångsinstabilitet på grund av damm eller vibrationer.

Inriktningen är perfekt om de optiska axlarna för strålarna på den aktiva enheten ligger på en linje med de optiska axlarna för motsvarande speglar på den passiva enheten.



Inriktningen ska göras efter att den mekaniska installationen och de elektriska anslutningarna har slutförts.

Inriktningssläget aktiveras genom att ÅTERSTÄLLNINGS-knappen hålls intryckt under minst 0,5 s vid uppstart.

1) Håll den aktiva enheten stabilt och justera den passiva enheten tills den gula lysdioden (▼ FÖRSTA) slocknar. Tillståndet visar inriktningen för det första sändar-/mottagarparet.

2) Vrid den passiva enheten runt den nedre optikens axel tills den gula lysdioden (▲ SISTA) slocknar.

OBS! Kontrollera att den gröna lysdioden (➡) lyser konstant.

3) Vrid båda enheterna åt båda håll lite grann för att fastställa gränserna för det område där den gröna lysdioden (➡) lyser konstant och "3" visas (max. inriktning). Ställ båda enheterna i mitten av det här området.

4) Fixera de två enheterna med fästen.

Kontrollera att den gröna lysdioden (➡) på den aktiva enheten lyser när strålarna inte är brutna. Kontrollera därefter att den röda lysdioden (➡I) tänds när en enstaka stråle bryts. Kontrollen ska göras med det speciella cylindriska testföremålet som har en lämplig storlek för den använda anordningens upplösning (se avsnittet "Kontroller efter första installationen" i bruksanvisningen).

5) Stäng av anordningen och slå på den i normalt driftläge.

Display	Inriktningsstatus	Inriktningskvalitet	Utgångsstatus om inte i inriktningssläge
	Första och sista paret är inte inriktade	Dålig	OSSD AV
	Sista paret är inte inriktat	Dålig	OSSD AV
	Första paret är inte inriktat	Dålig	OSSD AV
	Alla par över den nedre tröskeln för ljusmottagning och inget par över den övre tröskeln för ljusmottagning	God	OSSD PÅ
	Alla par över den nedre tröskeln för ljusmottagning och ett par över den övre tröskeln för ljusmottagning		OSSD PÅ
	Alla par över den övre tröskeln för ljusmottagning		Perfekt

Display- och diagnosfunktioner



Display	Inriktningsstatus	Inriktningskvalitet
	Alla par över den nedre tröskeln för ljusmottagning och inget par över den övre tröskeln för ljusmottagning	
	Alla par över den nedre tröskeln för ljusmottagning och ett par över den övre tröskeln för ljusmottagning	
	Alla par över den övre tröskeln för ljusmottagning	

Display	Status	Beskrivning	Åtgärd
	Förrglering	Detekteringszon fri. OSSD-utgångar AV.	Tryck på ÅTERSTÄLLNING-knappen för att återgå till OSSD PÅ.
	Förrglering	Stråle eller strålar brutna. OSSD-utgångar AV.	Ta bort föremålet från detekteringszonen och tryck på ÅTERSTÄLLNING-knappen.
	OSSD PÅ	OSSD-utgångar PÅ.	
	OSSD AV	OSSD-utgångar AV.	
	Normalt driftläge, OSSD AV, förrglering	Funktion för övervakning med extern anordning (EDM) aktiverad.	
	Normalt driftläge, OSSD AV, förrglering	Funktion för övervakning med extern anordning (EDM) avaktiverad.	
	OSSD AV, förrglering	Förbikopplingsfunktion klar att aktiveras	Aktivera förbikopplingsfunktionen i enlighet med avsnittet "Förbikoppling" i bruksanvisningen.
	Felläge	OSSD-fel, en eller båda. OSSD-utgångar AV.	Kontrollera kablarna och anslutningarna för OSSD-utgångarna. Kontrollera att de inte är kortslutna sinsemellan eller med försörjningsspänning. Bekräfta därefter. Kontakta din representant för ABB Jokab Safety om felet består.

	Felläge (kritiskt)	Mikroprocessorfel. OSSD-utgångar AV.	Stäng av och slå på AOPD:en. Kontakta din representant för ABB Jokab Safety om felet består.
	Felläge	Optiskt fel. OSSD-utgångar AV.	Bekräfta felet. Kontakta din representant för ABB Jokab Safety om felet består.
	Felläge	EDM-fel. OSSD-utgångar AV.	Kontrollera kablarna och anslutningarna för EDM SELECTION och EDM samt tidssekvensen (se tiddiagrammet i bruksanvisningen). Bekräfta felet. Kontakta din representant för ABB Jokab Safety om felet består.
	OSSD AV	Fel i förbikopplingssekvens, OSSD-utgångar AV	Kontrollera tidssekvensen för förbikopplingsfunktionen (se tiddiagrammet i bruksanvisningen). Kontakta din representant för ABB Jokab Safety om felet består.
	Felläge (kritiskt)	DIP-switchfel, OSSD-utgångar AV	Kontrollera DIP-switcharnas inställningar och slå på och av AOPD:en. Kontakta din representant för ABB Jokab Safety om felet består.
	Felläge	Fel på intern och extern lampa, OSSD-utgångar AV	Kontrollera anslutningen för den externa lampan och bekräfta. Kontakta din representant för ABB Jokab Safety om felet består.
	AOPD AV	Spänningsförsörjningsfel. OSSD-utgångar AV.	Kontrollera kablarna och anslutningarna för spänningsförsörjningen. Kontrollera att värdet är inom tillåtet område. Kontakta din representant för ABB Jokab Safety om felet består.

Det går inte att bekräfta ett kritiskt fel. Anordningen måste stängas av och slås på. Kontakta din representant för ABB Jokab Safety om felet består.

Tekniska specifikationer

Tillverkare	
Adress	ABB JOKAB SAFETY Varlabergsvägen 11 SE-434 39 Kungsbacka
Elektriska data	
Spänningsförsörjning:	+24 VDC ± 20 %
Effektförbrukning för aktiv enhet (RX):	Max. 2,5 W (normal drift utan last)
Utgångar:	2 PNP
Kortslutningsskydd:	Max. 1,4 A vid 55 °C
Utgångsström	Max. 0,5 A/utgång
Utgångsspänning – status PÅ:	Spänningsförsörjningsvärde mindre än 1 V
Utgångsspänning – status AV	0,2 V
Kapacitiv last	Max. 2,2 µF vid +24 VDC
Ström för extern lampa:	20 mA min, 250 mA max
Svarstider:	Från 11 till 12 ms – se avsnitt 12 i bruksanvisningen
Skyddshöjd:	Från 500 mm till 1200 mm. Se avsnitt 12 i bruksanvisningen.
Elektrisk skyddsklass:	Klass III - använd SELV/PELV
Anslutningar:	8-polig M12-hankontakt
Kabellängd (för spänningsförsörjning):	Max. 70 m
Nedsmutsningsgrad	2
Optik	
Emission (λ):	Infraröd, lysdiod (860 nm)
Upplösning:	Se avsnitt 12 i bruksanvisningen.
Arbetsräckvidd:	Från 0,5 till 8 m – se avsnitt 12 i bruksanvisningen
Avskärmning av omgivningsljus:	Enligt IEC-61496-2:2013

Mekaniska och miljörelaterade data

Drifttemperatur:	0–55 °C
Förvaringstemperatur:	-25–70 °C
Temperaturklass:	T6
Luftfuktighet:	15–95 % (icke-kondenserande)
Skyddsklass:	IP65 (SS-EN 60529:2000)
Vibrationer:	Bredd 0,35 mm, frekvens 10–55 Hz 20 svep per axel, 1 oktav/min (SS-EN 60068-2-6:2008)
Stötmotstånd:	16 ms (10 G) 10 ³ stötar per axel (SS-EN 60068-2-29:2008)
Hus:	Lackerad aluminium (gul RAL 1003)
Frontglas:	PMMA
Kåpornas material:	PBT Valox 508 (grå RAL 7035)
Vikt, enstaka enhet utan förpackning:	
Orion3-4-K1C-050-E	1,3 kg
Orion3-4-K2C-080-E	1,8 kg
Orion3-4-K2C-090-E	2,1 kg
Orion3-4-K2C-120-E	2,6 kg
Orion3-4-M1C-050 (passiv)	1,2 kg
Orion3-4-M2C-080 (passiv)	1,7 kg
Orion3-4-M2C-090 (passiv)	1,9 kg
Orion3-4-M2C-120 (passiv)	2,5 kg

Funktionssäkerhet

SS-EN ISO 13849-1:2008	PL e, Cat 4
SS-EN IEC 61508-1:2010, SS-EN IEC 61508-2:2010, SS-EN IEC 61508-3:2010, SS-EN IEC 61508-4:2010	SIL 3
SS-EN IEC 62061:2005/A1:2013	SIL CL 3
Sannolikhet för farligt fel per timme (1/h)	PFH _d 8,57x10 ⁻⁹
Livslängd (år)	T1 20
Medeltid till farligt fel (år)	MTTF _d 439

Försäkran om EG-överensstämmelse

En kopia av försäkran om EG-överensstämmelse finns i bruksanvisningen och kan även laddas ned från www.abb.com/jokabsafety

Auszüge aus der Originalbetriebsanleitung

Orion3 Extended

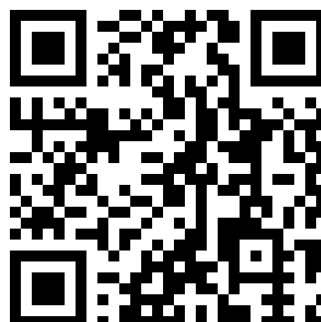
Sicherheitslichtgitter

Typ 4 Aktive opto-elektronische Schutzeinrichtung (AOPD)




Die vollständige Bedienungsanleitung in digitaler Form wird mit dem Produkt geliefert und steht auch unter dieser Adresse zum Download bereit:

www.abb.com/jokabsafety



Auch wenn alle Anstrengungen unternommen wurden, um die Genauigkeit der in diesem Handbuch und eventuellen damit verbundenen Werbe- und Informationsmaterialien enthaltenen Informationen sicherzustellen, kann ABB Jokab Safety keine Verantwortung für Fehler oder Auslassungen übernehmen und behält sich das Recht vor, Berichtigungen ohne Vorankündigung vorzunehmen. Der Benutzer ist dafür verantwortlich sicherzustellen, dass diese Einrichtung richtig ausgelegt, spezifiziert, installiert, gewartet und betrieben wird und allen geltenden lokalen, nationalen und internationalen Bestimmungen und Vorschriften entspricht. Die technischen Daten in unserem Handbuch sind korrekt bis zu dem Grad der Genauigkeit der von verschiedenen international anerkannten Behörden geprüften Testverfahren von ABB Jokab Safety. Weitere Informationen (wie etwa Anwendungsbeispiele, Schaltpläne, Betriebs- oder Benutzerinfo) sind ausschließlich dafür gedacht, die unterschiedlichen Verwendungen unserer Produkte zu veranschaulichen. ABB Jokab Safety übernimmt keinerlei (implizite) Gewährleistung dafür, dass das Produkt bei der Verwendung auf der Grundlage derartiger Beispiele in einer speziellen Umgebung eventuelle spezielle Sicherheitsanforderungen erfüllt, und übernimmt keinerlei Verantwortung oder Haftung für die tatsächliche Verwendung des Produkts basierend auf den angeführten Beispielen.

Sicherheits-Informationen

 **Warnung!** Um eine sachgemäße und sichere Verwendung der Orion3 Extended Lichtgitter zu gewährleisten, müssen die folgenden Punkte beachtet werden:


- Die Nachlaufzeit der Maschine muss elektrisch überwacht sein.
- Dieses Steuerungssystem muss in der Lage sein, die gefährliche Bewegung der Maschine innerhalb der Gesamtnachlaufzeit der Maschine T gemäß dem Abschnitt „Mindestinstallationsabstand“ in der Bedienungsanleitung anzuhalten und zwar in allen Phasen des Betriebszyklus.
- Montage und Anschluss der AOPD dürfen nur von qualifiziertem Fachpersonal vorgenommen werden. Die Arbeiten sind entsprechend den Angaben in den Sonderabschnitten der Bedienungsanleitung sowie in den anzuwendenden Normen auszuführen.
- Die AOPD muss sicher in einer bestimmten Position angebracht werden, sodass kein Zugang zum Gefährdungsbereich möglich ist, ohne die Strahlen zu unterbrechen, siehe Abschnitt „Installation“ in der Bedienungsanleitung.
- Das im Gefährdungsbereich tätige Personal muss gut geschult sein und über angemessene Kenntnisse aller Betriebsvorgänge der AOPD verfügen.
- Die RESET-Taste muss sich außerhalb des Gefährdungsbereichs befinden, da der Bediener den gesamten Gefährdungsbereich bei allen Test- und Override-Durchläufen überprüfen muss. Die Taste darf vom Gefährdungsbereich aus nicht erreichbar sein.
- Die externe Leuchte, die signalisiert, dass das Muting aktiv ist, muss vom Bediener von allen Seiten aus sichtbar sein.
- Bitte befolgen Sie genau die Montageanleitung für die Muting-Sensoren, siehe Abschnitt „Muting“ in dieser Bedienungsanleitung.
- Falls die Funktion Überwachung externer Geräte (EDM) verwendet werden soll, muss sie mit Hilfe der DIP-Schalter aktiviert werden.

Bitte lesen Sie sich die Anweisungen zur sachgemäßen Funktionsweise gut durch, bevor Sie die AOPD in Betrieb nehmen.

Installation

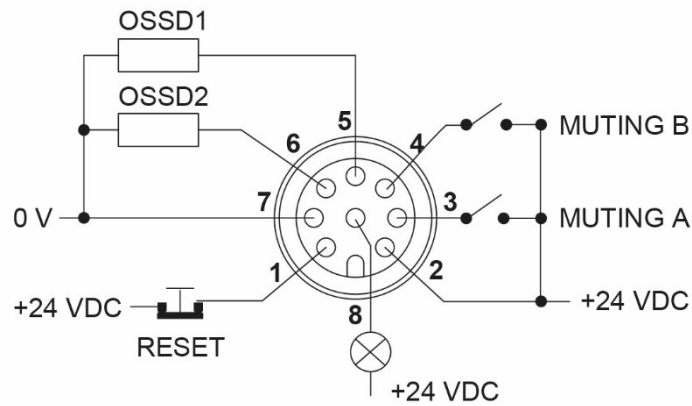
- Die Ausgänge (OSSD) der AOPD müssen als Stoppeinrichtungen der Maschine fungieren, nicht als Steuerungseinrichtungen. Die Maschine muss über eine eigene Startfunktion verfügen.
- Die Abmessung des kleinsten zu erfassenden Objekts muss größer sein, als die Auflösung der AOPD.
- Die AOPD muss in einem Raum installiert werden, der den in Abschnitt „Technische Daten“ der Bedienungsanleitung angegebenen technischen Anforderungen entspricht.
- Platzieren Sie die AOPD nicht in der Nähe von hellen und/oder blinkenden Lichtquellen oder ähnlichen Geräten.
- Starke elektromagnetische Störungen können die Funktionstüchtigkeit der AOPD gefährden. Bitte lassen Sie sich von Ihrem Ansprechpartner von ABB Jokab Safety beraten.
- Die Reichweite des Geräts kann bei Smog, Nebel oder Staub in der Luft eingeschränkt sein.
- Eine plötzliche Veränderung der Umgebungstemperatur mit sehr niedrigen Minimalpunkten kann eine dünne Kondensatschicht auf den Linsen hervorrufen und dadurch die Funktionstüchtigkeit gefährden.
- Reflektierende Flächen, die sich in der Nähe der Lichtstrahlen der AOPD befinden (oberhalb, unterhalb oder seitlich davon) können passive Reflexionen erzeugen. Diese Reflexionen können die Erkennung eines Objekts innerhalb des Erfassungsbereichs beeinträchtigen.
- Die Muting-/Override-Funktion wird durch eine Muting-/Override-Leuchte angezeigt. Stellen Sie sicher, dass die Leuchte ausreichend hell leuchtet und sichtbar in der Nähe des Gefährdungsbereichs positioniert wird.
- Stellen Sie sicher, dass die Muting-Sensoren korrekt verwendet werden, wie in Abschnitt „Muting“ in dieser Bedienungsanleitung beschrieben.
- Vermeiden Sie inkongruente Anschlüsse, die nicht gesteuert werden können. Auf diese Weise werden unerwünschte, potenziell gefährliche Aktivierungen ausgeschlossen.

 **Warnung!** Der Mindestinstallationsabstand ist einzuhalten. Mehr Informationen zu dieser Berechnung entnehmen Sie der Bedienungsanleitung oder der Norm EN ISO 13855:2010.

 **Warnung!** Stellen Sie sicher, dass vor dem Starten der Maschine ein Funktionstest und die Überprüfungen durchgeführt werden, die in Abschnitt „Überprüfungen nach der Erstinstallation“ in der Bedienungsanleitung erläutert werden.

Elektrische Anschlüsse

Aktive Einheit

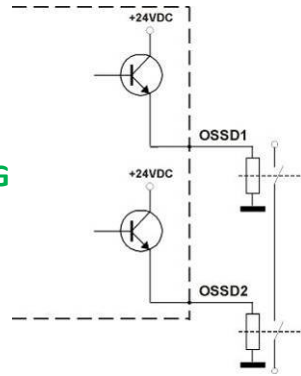


Pin Ader	Ader ¹	Funktion	Anschluss an
1	Weiß		Auto. Reset ohne Funktion
		RESET	Auto. Reset mit EDM
		QUITT.	Manueller Reset ohne Funktion
		EDM	Manueller Reset mit EDM
			Öffner-Kontakt eines zwangsgeführten Relais an +24 V DC
			Öffner-Kontakt an +24 V DC
			Öffner-Kontakt bei Serien mit Öffner-Kontakt eines zwangsgeführten Relais an +24 V DC
2	Braun	Stromversorgung	+24 V DC
3	Grün	MUTING A	Muting-Sensor A
4	Gelb	MUTING B	Muting-Sensor B
5	Grau	OSSD1	z. B. Sicherheitsrelais
6	Rosa	OSSD2	z. B. Sicherheitsrelais
7	Blau	Stromversorgung	0 V
8	Rot	Muting-Leuchte	Muting-Leuchte und +24 V DC

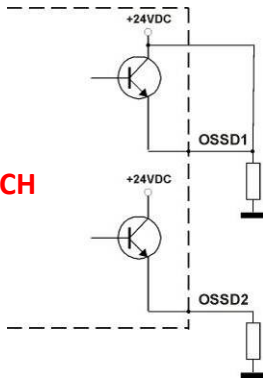
¹ Farben gemäß Standardkabel von ABB Jokab Safety.

Anschluss der OSSD-Ausgänge

RICHTIG

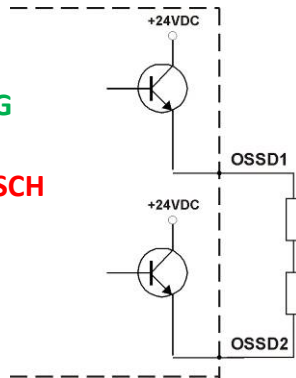


FALSCH

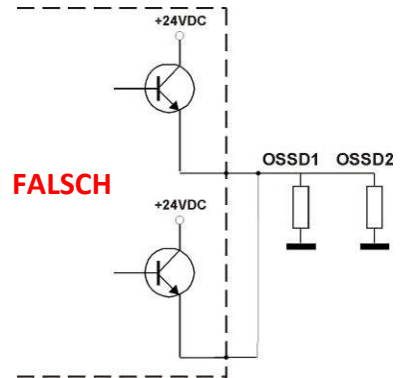


RICHTIG

FALSCH

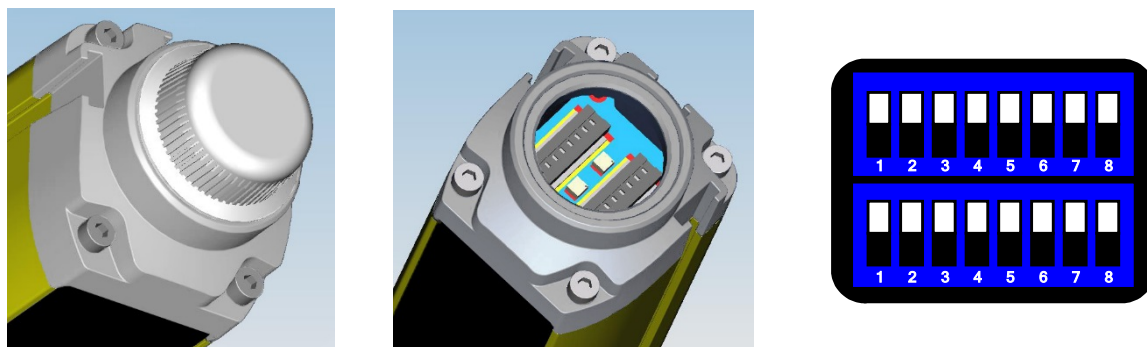


FALSCH



Funktionen

Schrauben Sie die Kappe von der Oberseite der aktiven Einheit ab, um an die DIP-Schalter zu gelangen.



Anmerkung: Jede Funktion ist zwei unterschiedlichen DIP-Schaltern zugeordnet: Die oberen und unteren DIP-Schalter müssen auf dieselbe Art konfiguriert werden. Bei Lieferung ist die Position „EIN“.

Die DIP-Schalter ermöglichen das Einstellen der Funktionen gemäß folgender Tabelle:

DIP-Schalter	Funktion	ON*	OFF
1	Muting Zeitüberschreitung	10 min	∞
2	T / X oder L-Muting	T/X-Muting	L-Muting
3	Muting-Filter	Deaktiviert	Aktiviert
4	Override-Reset	Manuell	Automatisch
5	Nicht verwendet	-	-
6	EDM	Deaktiviert	Aktiviert
7	Reset	Automatisch	Manuell
8	Nicht verwendet	-	-

*Werkskonfiguration

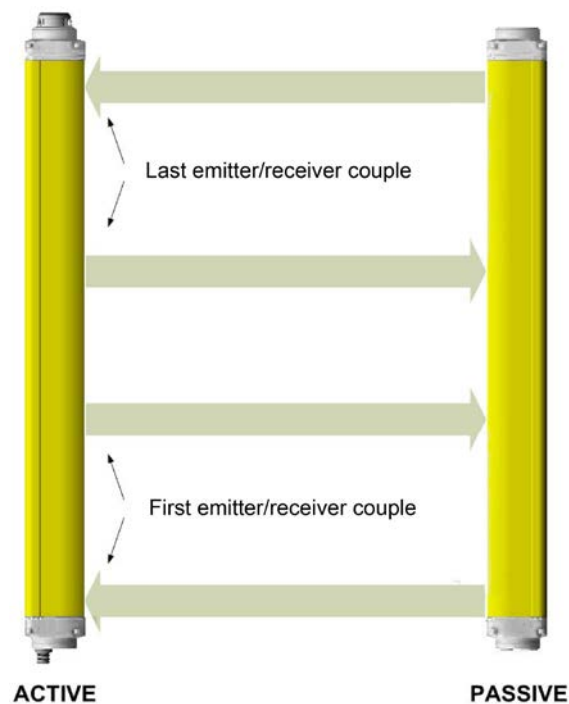
⚠ Warnung! Muting ohne zeitliche Begrenzung (Timeout = ∞) entspricht nicht der Norm EN 61496-1:2013. Daher müssen vor der Wahl der „∞“-Option alle potenziellen Gefahren beurteilt und entsprechende Vorsichtsmaßnahmen ergriffen werden.

⚠ Warnung! Das Gerät lässt während des Normalbetriebs keine Änderungen der Konfiguration zu. Die Änderungen werden erst nach dem nächsten Einschalten des Geräts berücksichtigt. Daher sollte die Verwaltung und Verwendung der DIP-Schalter für die Konfiguration sehr sorgfältig gehandhabt werden.

Ausrichtung

Die Ausrichtung zwischen aktiver und passiver Einheit ist notwendig, damit die AOPD korrekt funktionieren kann. Eine ordnungsgemäße Ausrichtung verhindert die Instabilität der Ausgänge aufgrund von Staub oder Vibrationen.

Die Ausrichtung ist optimal, wenn die optischen Achsen der Strahlen an der aktiven Einheit mit den optischen Achsen der dazugehörigen Spiegel an der passiven Einheit übereinstimmen.



Nachdem die mechanische Montage und die elektrischen Anschlüsse vorgenommen wurden, kann mit der Ausrichtung begonnen werden.

Der Ausrichtungsmodus wird durch Betätigen der RESET-Taste für mindestens 0,5 s in eingeschaltetem Zustand aktiviert.

- 1) Die aktive Einheit festhalten und die passive Einheit so lange ausrichten, bis die gelbe LED (▼ FIRST) erlischt. Dieser Zustand zeigt die Ausrichtung der ersten Sende- und Empfängereinheit an.
- 2) Die passive Einheit so lange um die Achse der unteren Optik drehen, bis die gelbe LED (▲ LAST) erlischt.

Anmerkung: Vergewissern Sie sich, dass die grüne LED (➡) eingeschaltet ist und permanent leuchtet.

- 3) Drehen Sie beide Einheiten vorsichtig in beide Richtungen, um die Grenzwerte des Bereichs zu ermitteln, in dem die grüne LED (➡) permanent leuchtet und „3“ angezeigt wird (Maximale Ausrichtung). Richten Sie beide Einheiten auf die Mitte dieses Bereichs aus.
- 4) Beide Einheiten sicher mit Halterungen befestigen.
Prüfen Sie, ob die grüne LED (➡) an der aktiven Einheit leuchtet, wenn kein Strahl unterbrochen wurde. Prüfen Sie anschließend, ob die rote LED (➡) aktiviert wird, wenn ein einzelner Strahl unterbrochen wird. Diese Kontrolle sollte mit dem entsprechenden zylinderförmigen „Teststab“ mit einem der Auflösung der verwendeten AOPD angemessenen Durchmesser durchgeführt werden (siehe Abschnitt „Überprüfungen nach der Erstinstallation“ der Bedienungsanleitung).
- 5) Die Einrichtung ausschalten und erneut im normalen Betriebszustand einschalten..

Display	Ausrichtungsstatus	Ausrichtungsqualität	Ausgangsstatus, wenn nicht im Ausrichtungsmodus
	Erstes und letztes Paar nicht aufeinander ausgerichtet	Schlecht	OSSD AUS
	Letztes Paar nicht ausgerichtet	Schlecht	OSSD AUS
	Erstes Paar nicht ausgerichtet	Schlecht	OSSD AUS
	Jedes Paar über dem unteren Lichtempfangsschwellwert und kein Paar über dem oberen Lichtempfangsschwellwert	Gut	OSSD AN
	Jedes Paar über dem unteren Lichtempfangsschwellwert und ein Paar über dem oberen Lichtempfangsschwellwert	↓	OSSD AN
	Jedes Paar über dem oberen Lichtempfangsschwellwert		Exzellent

Display und Diagnosefunktionen



Display	Ausrichtungsstatus	Ausrichtungsqualität
	Jedes Paar über dem unteren Lichtempfangsschwellwert und kein Paar über dem oberen Lichtempfangsschwellwert	Min. ↓ Exzellent
	Jedes Paar über dem unteren Lichtempfangsschwellwert und ein Paar über dem oberen Lichtempfangsschwellwert	
	Jedes Paar über dem oberen Lichtempfangsschwellwert	

Display	Status	Beschreibung	Aktion
	Interlock	Erfassungsbereich frei. OSSD-Ausgänge ausgeschaltet.	Drücken Sie die RESET-Taste, um zu OSSD ON zurückzukehren.
	Interlock	Strahl(en) unterbrochen. OSSD-Ausgänge ausgeschaltet.	Entfernen Sie das Objekt aus dem Erfassungsbereich und drücken Sie die RESET-Taste.
	OSSD AN	OSSD-Ausgänge eingeschaltet.	
	OSSD AUS	OSSD-Ausgänge ausgeschaltet.	
	Normaler Betriebszustand, OSSD AUS, Interlock	EDM-Funktion aktiviert.	
	Normaler Betriebszustand, OSSD AUS, Interlock	EDM-Funktion deaktiviert.	
	OSSD AUS, Interlock	Override-Funktion kann jetzt aktiviert werden	Aktivieren Sie die Override-Funktion gemäß Abschnitt „Override“ in der Bedienungsanleitung.
	Fehlerzustand	Fehler OSSD, einer oder beide. OSSD-Ausgänge ausgeschaltet.	Überprüfen Sie die Kabel und Anschlüsse der OSSD-Ausgänge. Stellen Sie sicher, dass es zwischen ihnen oder an der Betriebsspannung nicht zu einem Kurzschluss kommt. Anschließend quittieren.
			Falls der Fehler fortbesteht, wenden Sie sich an Ihren Ansprechpartner von ABB Jokab Safety.

	Fehlerzustand (kritisch)	Fehler Mikroprozessor. OSSD-Ausgänge ausgeschaltet.	Schalten Sie die AOPD aus und wieder an. Falls der Fehler fortbesteht, wenden Sie sich an Ihren Ansprechpartner von ABB Jokab Safety.
	Fehlerzustand	Optischer Fehler. OSSD-Ausgänge ausgeschaltet.	Fehler quittieren. Falls der Fehler fortbesteht, wenden Sie sich an Ihren Ansprechpartner von ABB Jokab Safety.
	Fehlerzustand	EDM-Fehler. OSSD-Ausgänge ausgeschaltet.	Überprüfen Sie die Verkabelung und Anschlüsse der EDM-ANWAHL sowie die Zeitsequenz (siehe das Zeitdiagramm in der Bedienungsanleitung). Fehler quittieren. Falls der Fehler fortbesteht, wenden Sie sich an Ihren Ansprechpartner von ABB Jokab Safety.
	OSSD AUS	Override-Sequenzfehler, OSSD-Ausgänge ausgeschaltet	Überprüfen Sie die Zeitsequenz der Override-Funktion (siehe das Zeitdiagramm in der Bedienungsanleitung). Falls der Fehler fortbesteht, wenden Sie sich an Ihren Ansprechpartner von ABB Jokab Safety
	Fehlerzustand (kritisch)	Fehler DIP-Schalter, OSSD-Ausgänge ausgeschaltet	Prüfen Sie die Einstellungen der DIP-Schalter und schalten Sie die AOPD ein und aus. Falls der Fehler fortbesteht, wenden Sie sich an Ihren Ansprechpartner von ABB Jokab Safety.
	Fehlerzustand	Interner und externer Leuchten-Fehler, OSSD- Ausgänge ausgeschaltet	Prüfen Sie den Anschluss der externen Leuchte und quittieren Sie den Fehler. Falls der Fehler fortbesteht, wenden Sie sich an Ihren Ansprechpartner von ABB Jokab Safety
	AOPD AUS	Fehler Spannungsversorgung. OSSD-Ausgänge ausgeschaltet.	Überprüfen Sie die Verkabelung und Anschlüsse der Spannungsversorgung. Vergewissern Sie sich, dass der entsprechende Wert im zulässigen Rahmen liegt. Falls der Fehler fortbesteht, wenden Sie sich an Ihren Ansprechpartner von ABB Jokab Safety.

Es ist nicht möglich, einen schweren Fehler zu quittieren. Das Gerät muss aus- und dann wieder eingeschaltet werden. Falls der Fehler fortbesteht, wenden Sie sich an Ihren Ansprechpartner von ABB Jokab Safety.

Technische Daten

Hersteller	
Adresse	ABB JOKAB SAFETY Varlabergsvägen 11 SE-434 39 Kungsbacka, Schweden
Elektrische Daten	
Spannungsversorgung:	+24-V DC \pm 20 %
Leistungsaufnahme aktive Einheit (RX):	2,5 W max. (Normalbetrieb ohne Last)
Ausgänge:	2 PNP
Kurzschlussicherung:	1,4 A max. bei 55 °C
Ausgangsstrom	max. 0,5 A / Ausgang
Ausgangsspannung – Status AN:	Spannungsversorgungswert geringer als 1 V
Ausgangsspannung – Status AUS	0,2 V
Kapazitive Last	2,2 μ F bei max. +24 V DC
Strom für externe Lampe:	20 mA min, 250 mA max
Ansprechzeiten:	Von 11 auf 12 ms. Siehe Abschnitt 12 der Bedienungsanleitung.
Höhe des Schutzbereichs:	Von 500 mm bis 1200 mm. Siehe Abschnitt 12 der Bedienungsanleitung.
Elektrische Schutzklasse:	Klasse III - SELV/PELV verwenden
Anschlüsse:	8-poliger M12-Verbinder
Kabellänge (für Spannungsversorgung):	max. 70 m
Verschmutzungsgrad	2
Optische Daten	
Ausgestrahltes Licht (λ):	Infrarot, LED (860 nm)
Auflösung:	Siehe Abschnitt 12 der Bedienungsanleitung.
Reichweite:	Von 0,5 auf 8 m. Siehe Abschnitt 12 der Bedienungsanleitung.
Umgebungslichtabschirmung:	Gemäß IEC-61496-2:2013

Mechanische und Umgebungsdaten

Betriebstemperatur:	0...+ 55 °C
Lagertemperatur:	- 25...+ 70 °C
Temperaturklasse:	T6
Luftfeuchtigkeit:	15...95 % (nicht kondensierend)
Schutzklasse:	IP65 (EN 60529:2000)
Schwingung:	Breite 0,35 mm, Frequenz 10...55 Hz 20 Abtastungen pro Achse, 1 Oktave/Min. (EN 60068-2-6:2008)
Stoßfestigkeit:	16 ms (10 G) 103 Stöße pro Achse (EN 60068-2-29:2008)
Gehäusematerial:	Lackiertes Aluminium (gelb RAL 1003)
Frontflächenmaterial:	PMMA
Material Kappen:	PBT Valox 508 (grau RAL 7035)
Gewicht, einzelne Einheit ohne Verpackung:	
Orion3-4-K1C-050-E	1,3 kg
Orion3-4-K2C-080-E	1,8 kg
Orion3-4-K2C-090-E	2,1 kg
Orion3-4-K2C-120-E	2,6 kg
Orion3-4-M1C-050 (passiv)	1,2 kg
Orion3-4-M2C-080 (passiv)	1,7 kg
Orion3-4-M2C-090 (passiv)	1,9 kg
Orion3-4-M2C-120 (passiv)	2,5 kg

Daten zur funktionalen Sicherheit

EN ISO 13849-1:2008	PL e, Kat 4
EN IEC 61508-1:2010, EN IEC 61508-2:2010, EN IEC 61508-3:2010, EN IEC 61508-4:2010	SIL 3
EN IEC 62061:2005/A1:2013	SIL CL 3
Wahrsch. eines gefahrbringenden Ausfalls pro Stunde (1/h)	PFH _d 8,57 x 10 ⁻⁹
Lebensdauer (Jahre)	T1 20
Mittlere Zeit bis zum gefahrbringenden Ausfall (Jahre)	MTTF _d 439

EG-Konformitätserklärung

Eine Kopie der EG-Konformitätserklärung finden Sie in der Bedienungsanleitung und als Download unter www.abb.com/jokabsafety

Estratti dalle istruzioni originali

Orion3 Extended

Griglie di sicurezza

Dispositivo di protezione opto-elettronico attivo (AOPD) di tipo 4



Il manuale di istruzioni completo viene fornito in formato digitale con il prodotto e può anche essere scaricato da:

www.abb.com/jokabsafety



Nonostante sia stato impiegato ogni sforzo possibile per assicurare l'accuratezza delle informazioni contenute nel presente libro e in qualsivoglia materiale promozionale e informativo a esso associato, ABB Jokab Safety non si assume alcuna responsabilità per errori od omissioni e si riserva il diritto di apportare qualsivoglia modifica senza preavviso. È responsabilità dell'utente verificare che la presente attrezzatura sia correttamente progettata, specificata, installata, curata e messa in funzione in modo tale da rispettare tutti i codici e i regolamenti locali, nazionali e internazionali. Il livello di correttezza dei dati tecnici presenti nel nostro libro corrisponde al livello di accuratezza delle procedure di test di ABB Jokab Safety, verificati da vari enti approvati a livello internazionale. Le altre informazioni (come esempi di applicazione, schemi elettrici, funzionamento o utilizzo) hanno come unico scopo illustrare i vari utilizzi dei nostri prodotti. ABB Jokab Safety non garantisce o sottintende che il prodotto, quando utilizzato in conformità a tali esempi in un particolare ambiente, rispetterà qualsivoglia particolare requisito di sicurezza e non si assume alcuna responsabilità per l'utilizzo effettivo del prodotto sulla base degli esempi forniti.

Informazioni di sicurezza


 **Avvertenza!** Per un utilizzo corretto e sicuro delle griglie di sicurezza Orion3 Extended, osservare i seguenti punti:


- Il sistema di arresto della macchina deve essere controllato elettricamente.
- Il sistema di controllo deve essere in grado di arrestare il movimento pericoloso della macchina entro il tempo totale di arresto macchina T come da paragrafo "Distanza minima di installazione" del manuale di istruzioni, e durante tutte le fasi del ciclo di lavoro.
- Il montaggio e il collegamento dell'AOPD devono essere eseguiti esclusivamente da personale qualificato, in base alle indicazioni incluse nelle sezioni speciali del manuale di istruzioni e negli standard in vigore.
- L'AOPD deve essere collocato in una posizione sicura, dalla quale non sia possibile accedere alla zona di rischio senza interrompere i raggi, vedere il paragrafo "Installazione" del manuale di istruzioni.
- Il personale operante nella zona di rischio deve essere opportunamente formato e deve possedere un'adeguata conoscenza di tutte le procedure operative dell'AOPD.
- Il pulsante RESET deve essere collocato al di fuori della zona di rischio, poiché l'operatore deve poter tenere l'intera zona in questione sotto controllo durante tutte le operazioni di reset ed esclusione. Deve essere impossibile raggiungere il pulsante dalla zona di rischio.
- La spia esterna che segnala lo stato attivo del muting deve essere visibile da tutti i lati operativi.
- Rispettare scrupolosamente le istruzioni di montaggio dei sensori di muting (vedere il paragrafo "Muting" del manuale di istruzioni).
- Se si intende utilizzare la funzione di monitoraggio del dispositivo esterno (EDM), questa deve essere attivata mediante i DIP switch.

Si prega di leggere attentamente le istruzioni per il corretto funzionamento prima di alimentare l'AOPD.

Installazione

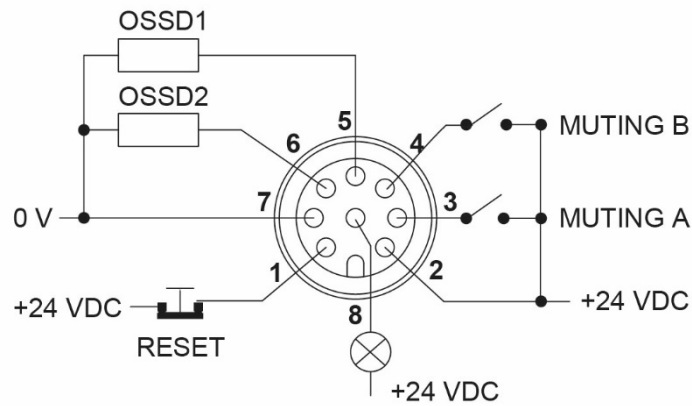
- Le uscite (OSSD) dell'AOPD devono essere utilizzate come dispositivi di arresto della macchina, non come dispositivi di comando. La macchina deve avere un proprio comando di avvio.
- Le dimensioni dell'oggetto più piccolo da rilevare devono essere maggiori della risoluzione dell'AOPD.
- L'AOPD deve essere installato in un locale conforme alle caratteristiche tecniche indicate nel paragrafo "Dati tecnici" del manuale di istruzioni.
- Non collocare l'AOPD in prossimità di fonti luminose forti e/o lampeggianti o dispositivi analoghi.
- Forti interferenze elettromagnetiche possono compromettere il funzionamento dell'AOPD. Per consigli, rivolgersi al proprio rappresentante ABB Jokab Safety.
- La distanza operativa del dispositivo può essere ridotta in presenza di smog, nebbia o polveri nell'aria.
- Un'improvvisa variazione della temperatura ambiente, con picchi minimi molto bassi, può generare un piccolo strato di condensa sulle lenti e comprometterne il funzionamento.
- Eventuali superfici riflettenti collocate in prossimità dei raggi luminosi dell'AOPD (sopra, sotto o di lato) possono causare riflessioni passive. Tali riflessioni possono compromettere il riconoscimento di un oggetto all'interno della zona di rilevamento.
- La funzione di muting/esclusione è segnalata da un'apposita spia. Accertarsi che la spia si illumini a sufficienza e che sia posizionata in maniera visibile nei pressi della zona di rischio.
- Accertarsi inoltre di utilizzare correttamente i sensori di muting, come descritto nel paragrafo "Muting" del manuale di istruzioni.
- Evitare i collegamenti incoerenti impossibili da controllare, ed escludere pertanto le attivazioni indesiderate potenzialmente pericolose.

 **Avvertenza!** È necessario rispettare la distanza minima di installazione. Per ulteriori informazioni sul calcolo da effettuare, fare riferimento al manuale di istruzioni o alla norma EN ISO 13855:2010.

 **Avvertenza!** Prima dell'avvio della macchina assicurarsi di testare il funzionamento e di effettuare le verifiche descritte nel paragrafo "Verifiche dopo la prima installazione" del manuale di istruzioni.

Collegamenti elettrici

Unità attiva

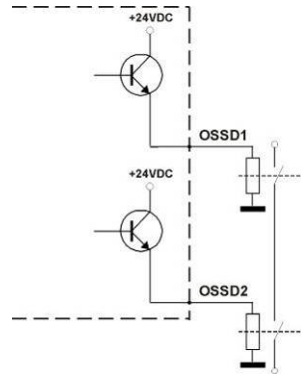


Piedino	Filo ¹	Funzione	Collegamento a
1	Bianco	Automatico. Reset senza funzione	+24 V CC
		Automatico. Reset con EDM	Contatto NC (normalmente chiuso) di relè a guida forzata a +24 V CC
		Reset manuale senza funzione	Contatto NC (normalmente chiuso) a +24 V CC
		Reset manuale con EDM	Contatto NC (normalmente chiuso) in serie con contatto NC di relè a guida forzata a +24 V CC
2	Marrone	Alimentazione	+24 V CC
3	Verde	MUTING A	Sensore di muting A
4	Giallo	MUTING B	Sensore di muting B
5	Grigio	OSSD1	Modulo di controllo di sicurezza per es.
6	Rosa	OSSD2	Modulo di controllo di sicurezza per es.
7	Blu	Alimentazione	0 V
8	Rosso	Spia muting	Spia muting e +24 V CC

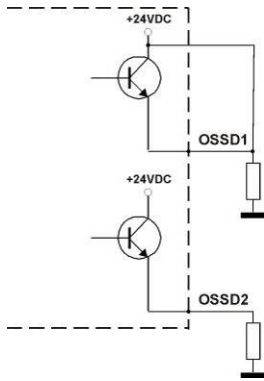
¹ Colori come da cavi standard ABB Jokab Safety.

Collegamento delle uscite OSSD

Sì

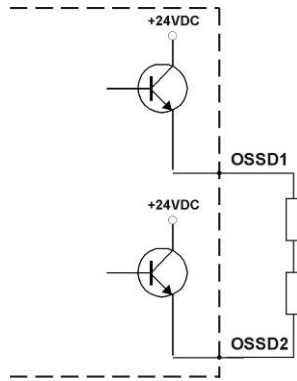


NO

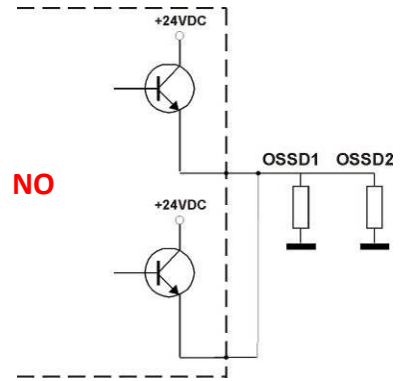


Sì

NO

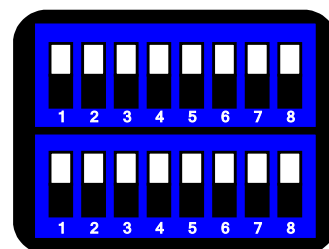
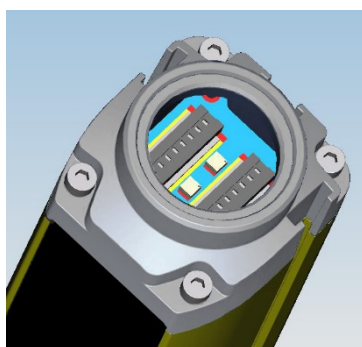
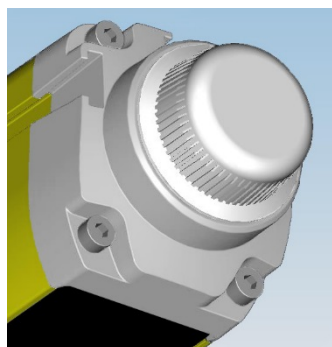


NO



Funzioni

Svitare il tappo superiore dell'unità attiva per accedere ai DIP switch.



N.B. Ciascuna funzione è associata a due differenti DIP switch: il DIP switch superiore e quello inferiore devono essere configurati nello stesso modo. La posizione "ON" è quella presente alla consegna.

I DIP switch consentono di impostare le funzioni come descritto nella seguente tabella;

DIP switch	Funzione	ON*	OFF
1	Timeout di muting	10 min	∞
2	Muting T / X o L	Muting T / X	L-muting
3	Filtro di muting	Disattivato	Attivato
4	Reset dell'esclusione	Manuale	Automatico
5	Non utilizzato	-	-
6	EDM	Disattivato	Attivato
7	Reset	Automatico	Manuale
8	Non utilizzato	-	-

*Configurazione predefinita di fabbrica

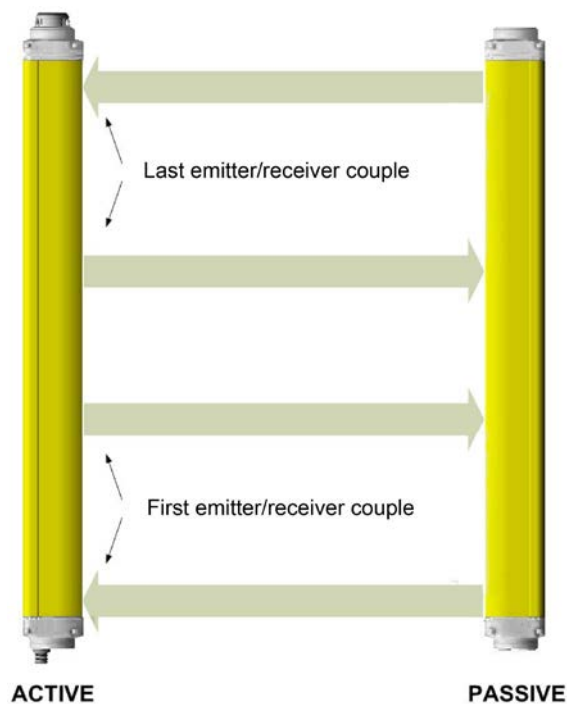
⚠ Avvertenza! Il muting infinito (timeout = ∞) non è conforme alla norma EN 61496-1:2013. Di conseguenza, è necessario tenere in considerazione tutti i rischi possibili e le precauzioni ad essi correlate prima di selezionare l'opzione "∞".

⚠ Avvertenza! Il dispositivo non ammette modifiche della configurazione durante il funzionamento standard. Ogni eventuale modifica verrà attivata solo dopo la successiva accensione del dispositivo. Pertanto, la gestione e l'utilizzo dei DIP switch di configurazione devono essere effettuati prestando la massima attenzione.

Procedura di allineamento

L'allineamento tra l'unità attiva e passiva è necessario per assicurare il corretto funzionamento dell'AOPD. Un buon allineamento previene l'instabilità delle uscite dovuta a polvere o vibrazioni.

L'allineamento è perfetto se gli assi ottici dei raggi dell'unità attiva coincidono con gli assi ottici dei corrispondenti specchi sull'unità passiva.



L'allineamento viene effettuato dopo aver completato l'installazione meccanica e i collegamenti elettrici.

La modalità di allineamento viene attivata premendo il pulsante RESET per almeno 0,5 s ad alimentazione attivata.

- 1) Mantenere l'unità attiva in una posizione stabile e regolare l'unità passiva finché il LED giallo (PRIMO ▼) non si spegne. Questa condizione mostra l'allineamento della prima coppia trasmettitore/ricevitore.
- 2) Ruotare l'unità passiva intorno all'asse dell'ottica inferiore, finché il LED giallo (ULTIMO ▲) non si spegne.

N.B. Accertarsi che il LED verde (➡➡) sia illuminato in modo fisso.

- 3) Ruotare leggermente entrambe le unità in entrambi i sensi, per individuare i limiti dell'area in cui il LED verde (➡➡) è illuminato in modo fisso e viene visualizzato "3" (allineamento massimo). Collocare entrambe le unità al centro di tale area.
- 4) Fissare saldamente le due unità per mezzo di staffe.
Verificare che il LED verde (➡➡) sull'unità attiva sia illuminato quando i raggi non vengono interrotti, quindi verificare che il LED rosso (➡➡I) si illumini quando viene interrotto un solo raggio. Tale verifica deve essere effettuata con lo speciale "pezzo di prova" cilindrico avente dimensioni idonee per la risoluzione del dispositivo utilizzato (vedere il paragrafo "Verifiche dopo la prima installazione" del manuale di istruzioni).
- 5) Spegnerne il dispositivo e riaccenderlo in modalità di funzionamento standard.

Display	Stato dell'allineamento	Qualità dell'allineamento	Stato dell'uscita quando non è in modalità di allineamento
	La prima e ultima coppia non sono allineate	Cattivo	OSSD OFF (disattivato)
	L'ultima coppia non è allineata	Cattivo	OSSD OFF (disattivato)
	La prima coppia non è allineata	Cattivo	OSSD OFF (disattivato)
	Tutte le coppie al di sopra della soglia inferiore di ricezione della luce e nessuna coppia al di sopra della soglia superiore di ricezione della luce	Buono	OSSD ON (attivato)
	Tutte le coppie al di sopra della soglia inferiore di ricezione della luce e una coppia al di sopra della soglia superiore di ricezione della luce	↓	OSSD ON (attivato)
	Tutte le coppie al di sopra della soglia superiore di ricezione della luce	Eccellente	OSSD ON (attivato)

Display e funzioni diagnostiche



Display	Stato dell'allineamento	Qualità dell'allineamento
	Tutte le coppie al di sopra della soglia inferiore di ricezione della luce e nessuna coppia al di sopra della soglia superiore di ricezione della luce	Min. Eccellente
	Tutte le coppie al di sopra della soglia inferiore di ricezione della luce e una coppia al di sopra della soglia superiore di ricezione della luce	
	Tutte le coppie al di sopra della soglia superiore di ricezione della luce	

Display	Stato	Descrizione	Azione
	Interblocco	Zona di rilevamento libera. Uscite OSSD OFF (disattivate).	Premere il pulsante RESET per ritornare all'OSSD attivato (ON).
	Interblocco	Raggio(i) interrotto(i). Uscite OSSD OFF (disattivate).	Rimuovere l'oggetto dalla zona di rilevamento e premere il pulsante RESET.
	OSSD ON (attivato)	Uscite OSSD ON (attivate).	
	OSSD OFF (disattivato)	Uscite OSSD OFF (disattivate).	
	Modalità di funzionamento standard, OSSD OFF (disattivato), interblocco	Funzione EDM attivata.	
	Modalità di funzionamento standard, OSSD OFF (disattivato), interblocco	Funzione EDM disattivata.	
	OSSD OFF (disattivato), interblocco	Funzione di esclusione pronta per essere attivata	Attivare la funzione di esclusione come da paragrafo "Esclusione" del manuale di istruzioni.
	Modalità errore	Errore OSSD, uno o entrambi.	Verificare il cablaggio e i collegamenti delle uscite OSSD. Accertarsi che non vi siano cortocircuiti tra di esse né con la tensione di alimentazione. Quindi riconoscere. Se l'errore persiste, contattare il rappresentante ABB Jokab Safety.
		Uscite OSSD OFF (disattivate).	

	<p>Modalità errore (critico)</p>	<p>Errore microprocessore. Uscite OSSD OFF (disattivate).</p>	<p>Spegnere e riaccendere l'AOPD. Se l'errore persiste, contattare il rappresentante ABB Jokab Safety.</p>
	<p>Modalità errore</p>	<p>Errore ottico. Uscite OSSD OFF (disattivate).</p>	<p>Riconoscere l'errore. Se l'errore persiste, contattare il rappresentante ABB Jokab Safety.</p>
	<p>Modalità errore</p>	<p>Errore EDM. Uscite OSSD OFF (disattivate).</p>	<p>Verificare il cablaggio e i collegamenti della SELEZIONE EDM e dell'EDM, nonché la sequenza temporale (vedere il grafico temporale nel manuale di istruzioni). Riconoscere l'errore. Se l'errore persiste, contattare il rappresentante ABB Jokab Safety.</p>
	<p>OSSD OFF (disattivato)</p>	<p>Errore sequenza di esclusione, Uscite OSSD OFF (disattivate)</p>	<p>Verificare la sequenza temporale della funzione di esclusione (vedere il grafico temporale nel manuale di istruzioni). Se l'errore persiste, contattare il rappresentante ABB Jokab Safety</p>
	<p>Modalità errore (critico)</p>	<p>Errore DIP switch, Uscite OSSD OFF (disattivate)</p>	<p>Verificare le impostazioni dei DIP switch, quindi attivare e disattivare l'AOPD (ON/OFF). Se l'errore persiste, contattare il rappresentante ABB Jokab Safety.</p>
	<p>Modalità errore</p>	<p>Errore delle spie interna ed esterna, uscite OSSD disattivate</p>	<p>Verificare il collegamento della spia esterna e riconoscerlo. Se l'errore persiste, contattare il rappresentante ABB Jokab Safety</p>
	<p>AOPD OFF (disattivato)</p>	<p>Errore alimentazione. Uscite OSSD OFF (disattivate).</p>	<p>Verificare il cablaggio e i collegamenti dell'alimentazione. Verificare che i valori siano entro il range consentito. Se l'errore persiste, contattare il rappresentante ABB Jokab Safety.</p>

Non è possibile riconoscere un errore critico. È necessario spegnere e riaccendere il dispositivo. Se l'errore persiste, contattare il rappresentante ABB Jokab Safety.

Dati tecnici

Produttore

Indirizzo	ABB JOKAB SAFETY Varlabergsvägen 11 SE-434 39 Kungsbacka, Svezia
-----------	--

Dati elettrici

Alimentazione:	+24 V CC \pm 20%
Consumo unità attiva (RX):	max. 2,5 W (funzionamento standard senza carico)
Uscite:	2 PNP
Protezione da cortocircuiti:	max. 1,4 A a 55 °C
Corrente di uscita	0,5 A max./uscita
Tensione di uscita – stato ON (attivata):	Valore dell'alimentazione meno 1 V
Tensione di uscita – stato OFF (disattivata)	0,2 V
Carico capacitivo	2,2 μ F a +24 V CC max.
Corrente per spia esterna:	20 mA min, 250 mA max
Tempi di risposta:	Da 11 a 12 ms. Vedere il paragrafo 12 del manuale di istruzioni.
Altezza protetta:	Da 500 mm a 1200 mm. Vedere il paragrafo 12 del manuale di istruzioni.
Protezione elettrica:	Classe III - utilizzare SELV/PELV
Collegamenti:	Connettore maschio a 8 poli M12
Lunghezza dei cavi (per l'alimentazione):	max. 70 m
Grado di inquinamento	2

Dati ottici

Luce emessa (λ):	Infrarossi, LED (860 nm)
Risoluzione:	Vedere il paragrafo 12 del manuale di istruzioni.
Distanza operativa:	Da 0,5 a 8 m. Vedere il paragrafo 12 del manuale di istruzioni.
Respingimento luce ambiente:	In conformità a IEC-61496-2:2013

Dati meccanici e ambientali

Temperatura di esercizio:	0...+55 °C
Temperatura di stoccaggio:	-25...+70 °C
Classe di temperatura:	T6
Umidità:	15... 95% (nessuna condensa)
Classe di protezione:	IP65 (EN 60529:2000)
Vibrazioni:	Ampiezza 0,35 mm, frequenza 10... 55 Hz 20 perlustrazioni per asse, 1 ottavo/min (EN 60068-2-6:2008)
Resistenza agli urti:	16 ms (10 G) 10 ³ urti per asse (EN 60068-2-29:2008)
Materiale corpo:	Alluminio verniciato (giallo RAL 1003)
Materiale vetro anteriore:	PMMA
Materiale tappi:	PBT Valox 508 (grigio RAL 7035)
Peso, singola unità senza imballaggio:	
Orion3-4-K1C-050-E	1,3 Kg
Orion3-4-K2C-080-E	1,8 Kg
Orion3-4-K2C-090-E	2,1 Kg
Orion3-4-K2C-120-E	2,6 Kg
Orion3-4-M1C-050 (passiva)	1,2 Kg
Orion3-4-M2C-080 (passiva)	1,7 Kg
Orion3-4-M2C-090 (passiva)	1,9 Kg
Orion3-4-M2C-120 (passiva)	2,5 Kg

Dati di sicurezza funzionale

EN ISO 13849-1:2008	PL e, Cat 4
EN IEC 61508-1:2010, EN IEC 61508-2:2010, EN IEC 61508-3:2010, EN IEC 61508-4:2010	SIL 3
EN IEC 62061:2005/A1:2013	SIL CL 3
Probabilità di avaria pericolosa/ora (1/h)	PFH _d 8,57x10 ⁻⁹
Durata (anni)	T1 20
Tempo medio fino ad avaria pericolosa (anni)	MTTF _d 439

Dichiarazione di conformità CE

È possibile trovare una copia della Dichiarazione di conformità CE nel Manuale di istruzioni ed è possibile scaricarla da www.abb.com/jokabsafety

Extraits des notices originales

Orion3 Extended

Barrières immatérielles de sécurité

Dispositif protecteur optoélectronique actif (AOPD) de type 4




La notice d'instructions complète est fournie avec le produit au format numérique et peut également être téléchargée sur le site :

www.abb.com/jokabsafety



Même si le plus grand soin a été apporté pour garantir l'exactitude des renseignements figurant dans le présent manuel et tous les matériaux de promotion et d'information qui y sont associés, ABB Jokab Safety décline toute responsabilité en cas d'erreurs ou d'omissions éventuelles et se réserve le droit d'apporter des améliorations sans avis préalable. Il incombe à l'utilisateur de s'assurer que cet équipement est conçu, documenté, installé, entretenu et utilisé correctement dans le respect de toutes les lois/réglementations applicables au niveau local, national et international. Les caractéristiques techniques indiquées dans notre manuel respectent le niveau de précision des procédures de test d'ABB Jokab Safety qui ont été vérifiées par plusieurs organismes internationaux homologués. Les autres informations (notamment les exemples d'application, les schémas électriques, le fonctionnement ou l'utilisation) sont uniquement destinées à illustrer les différentes utilisations de nos produits. ABB Jokab Safety ne garantit ni n'implique que le produit utilisé conformément à ces exemples dans un environnement particulier conviendra à une exigence de sécurité particulière et se dégage de toute responsabilité ou obligation quant à l'utilisation effective du produit sur la base des exemples fournis.

Informations concernant la sécurité

 **Avertissement !** L'utilisation correcte et sécurisée des barrières immatérielles Orion3 Extended exige de réunir les conditions suivantes :


- Le mécanisme d'arrêt de la machine doit être commandé électriquement.
- Ce système de commande doit pouvoir arrêter le mouvement dangereux de la machine en respectant le temps d'arrêt total de la machine T, selon les consignes de la section « Distance de sécurité » de la notice d'instructions et pendant toutes les phases du cycle de travail.
- Le montage et le raccordement de l'AOPD doivent impérativement être effectués par du personnel qualifié, selon les indications figurant dans les sections particulières de la notice d'instructions et les normes applicables.
- L'AOPD doit être monté solidement à un emplacement particulier qui rend l'accès à la zone de danger impossible sans interrompre les faisceaux (cf. section « Installation » de la notice d'instructions).
- Le personnel travaillant à l'intérieur de la zone de danger doit avoir reçu la formation appropriée et disposer de connaissances suffisantes sur les procédures de fonctionnement de l'AOPD.
- Le bouton RÉARMEMENT doit être situé en dehors de la zone de danger ; l'opérateur doit en effet vérifier l'intégralité de la zone de danger pendant toutes les opérations de prise de contrôle et de réarmement. L'accès au bouton doit être impossible depuis la zone de danger.
- La lampe externe signalant que l'inhibition est active doit être visible depuis tous les côtés de fonctionnement.
- Veuillez respecter scrupuleusement les instructions de montage des capteurs d'inhibition, cf. section « Inhibition » de cette notice d'instructions.
- Si vous utilisez la fonction de système de surveillance externe (EDM), activez-la avec les dip-switches.

Lisez attentivement les consignes de fonctionnement correct avant d'allumer l'AOPD.

Installation

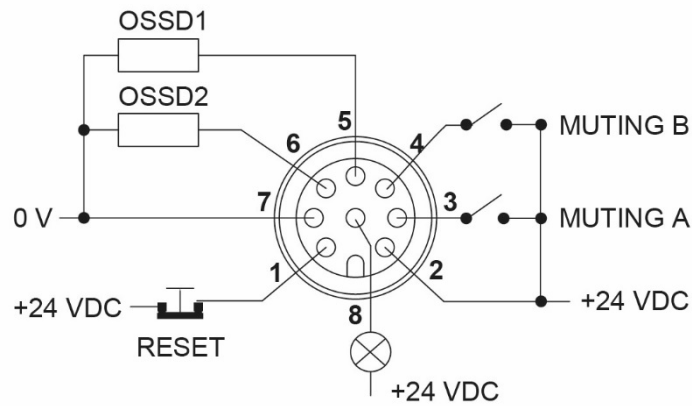
- Les sorties (OSSD) de l'AOPD doivent être impérativement utilisées comme des mécanismes d'arrêt de la machine et non comme des dispositifs de commande. La machine doit disposer de sa propre commande de mise en marche.
- Les dimensions de l'objet le plus petit devant être détecté doivent être supérieures à la résolution de l'AOPD.
- L'AOPD doit être installé dans une pièce conforme aux caractéristiques techniques indiquées à la section « Caractéristiques techniques » de la notice d'instructions.
- Ne placez pas l'AOPD à proximité de sources lumineuses clignotantes et/ou de forte intensité ou d'appareils similaires.
- Les fortes perturbations électromagnétiques peuvent compromettre le fonctionnement de l'AOPD. Demandez conseil à votre représentant d'ABB Jokab Safety.
- La distance de fonctionnement du dispositif peut être réduite en présence de smog, de brouillard ou de particules de poussière en suspension.
- Un brusque changement de température ambiante, lorsque celle-ci atteint un niveau particulièrement bas, peut produire une légère couche de buée sur les lentilles et compromettre le bon fonctionnement.
- Les surfaces réfléchissantes se trouvant à proximité des faisceaux lumineux de l'AOPD (au-dessus, au-dessous ou latéralement) peuvent provoquer des réflexions passives risquant de compromettre le repérage d'un objet à l'intérieur de la zone de détection.
- La fonction Inhibition/Prise de contrôle est signalée par une lampe d'inhibition/de prise de contrôle. Assurez-vous que la lampe éclaire suffisamment et que sa position est bien visible près de la zone de danger.
- Assurez-vous d'utiliser correctement les capteurs d'inhibition conformément au paragraphe « Inhibition » de la notice d'instructions.
- Évitez toute connexion incompatible ne pouvant être contrôlée et, par conséquent, excluez toute activation non désirée potentiellement dangereuse.

 **Avertissement !** La distance de sécurité doit être respectée. Pour des précisions sur son calcul, veuillez consulter la notice d'instructions ou la norme EN ISO 13855:2010.

 **Avertissement !** Assurez-vous de vérifier le fonctionnement et d'effectuer les contrôles décrits à la section « Vérifications après la première installation » de la notice d'instructions avant d'allumer la machine.

Raccordements électriques

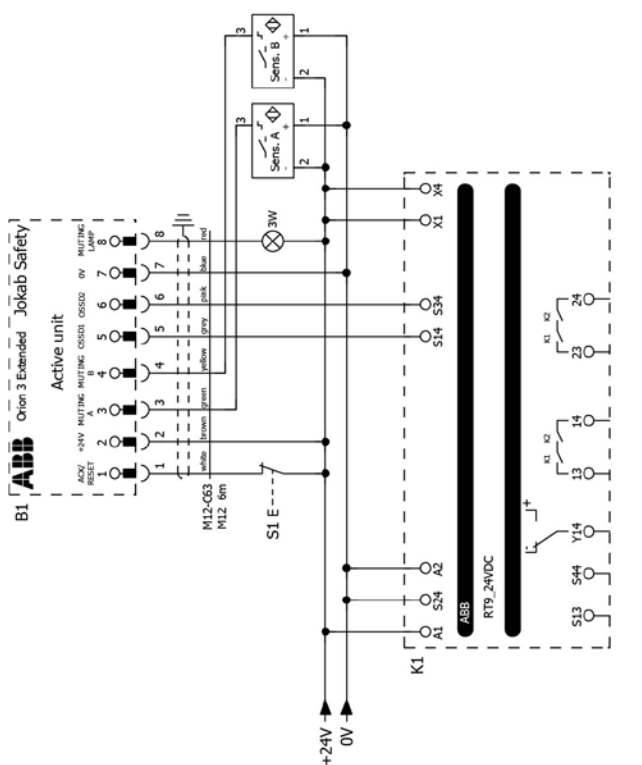
Unité active



Broche	Fil ¹	Fonction	Raccordement	
1	Blanc	RÉARMEMENT RECON. EDM	Réarmement automatique sans fonction	+24 Vcc
			Réarmement automatique avec EDM	Contact NF d'un relais à contacts liés sur le courant +24 Vcc
			Réarmement manuel sans fonction	Contact NF sur le courant +24 Vcc
			Réarmement manuel avec EDM	Contact NF en série avec contact NF d'un relais à contacts liés sur le courant +24 Vcc
2	Marron	Alimentation	+24 Vcc	
3	Vert	INHIBITION A	Capteur d'inhibition A	
4	Jaune	INHIBITION B	Capteur d'inhibition B	
5	Gris	OSSD1	Module de commande de la sécurité par ex.	
6	Rose	OSSD2	Module de commande de la sécurité par ex.	
7	Bleu	Alimentation	0 V	
8	Rouge	Lampe d'inhibition	Lampe d'inhibition et courant +24 Vcc	

¹Code couleur conformément aux câbles standard d'ABB Jokab Safety.

Exemple de raccordement à un relais de sécurité RT9

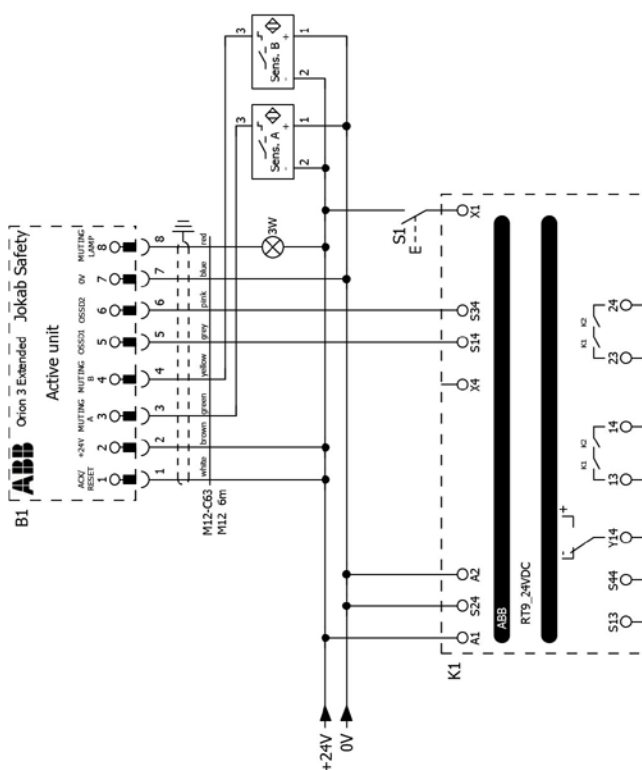


ORION3 Extended with muting sensors

Reset button connected to the light guard

Configuration of the light guard:

- Manual reset
- EDM deactivated



ORION3 Extended with muting sensors

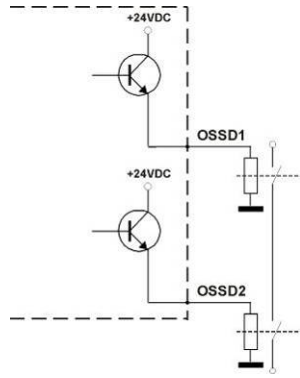
Reset button connected to the safety relay

Configuration of the light guard:

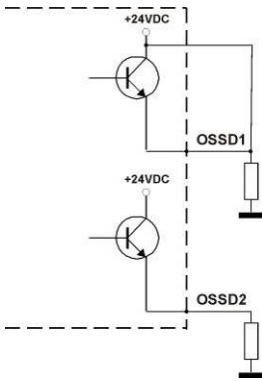
- Automatic reset
- EDM deactivated

Raccordement des sorties OSSD

OUI

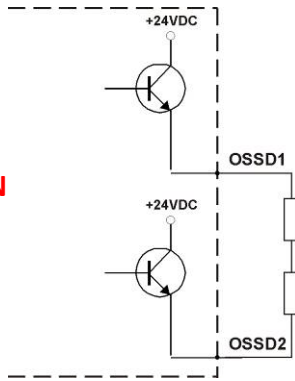


NON

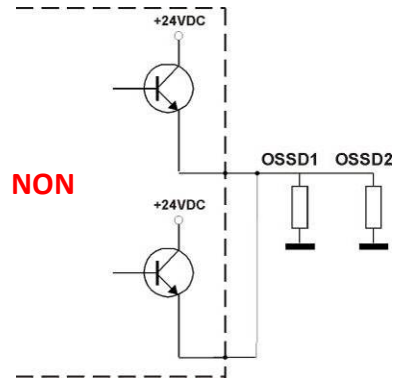


OUI

NON

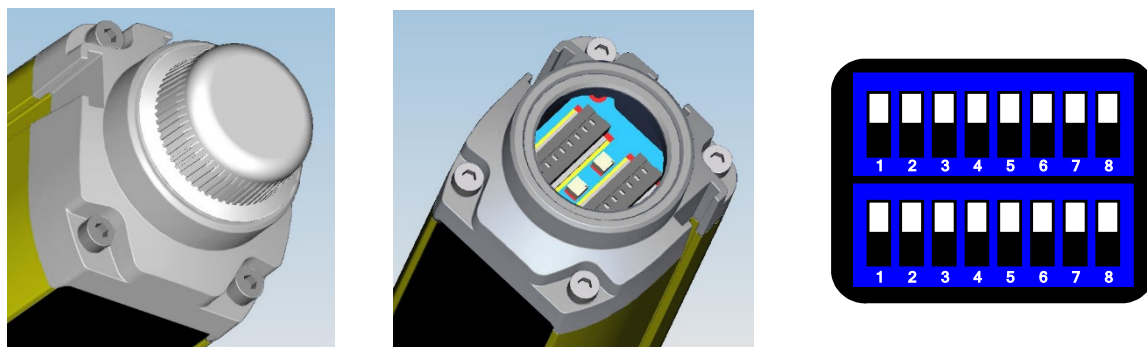


NON



Fonctions

Dévissez le bouchon au-dessus de l'unité active pour accéder aux dip-switches.



NB : chaque fonction est associée à deux dip-switches différents : les dip-switches du haut et du bas doivent être configurés de la même manière. La position « Allumé » est la position à la livraison.

Les dip-switches permettent de paramétrer les fonctions décrites dans le tableau suivant :

Dip-switches	Fonction	ON*	OFF
1	Limitation de la durée de l'inhibition	10 minutes	∞
2	Inhibition T/X ou L	Inhibition T/X	Inhibition L
3	Filtrage de l'inhibition	Fonction désactivée	Fonction activée
4	Réarmement de la prise de contrôle	Manuel	Automatique
5	Non utilisé	-	-
6	EDM	Fonction désactivée	Fonction activée
7	Réarmement	Automatique	Manuel
8	Non utilisé	-	-

*Configuration d'usine par défaut

⚠ Avertissement ! Une inhibition infinie (limitation = ∞) n'est pas conforme à la norme EN 61496-1:2013. Il convient donc de tenir compte de tous les risques possibles et de prendre toutes les précautions requises avant de sélectionner l'option « ∞ ».

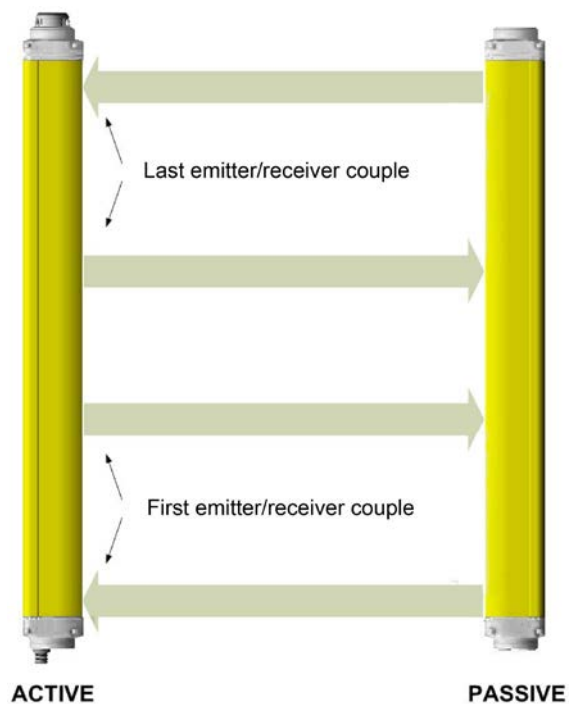
⚠ Avertissement ! Le dispositif n'accepte pas de modifications de la configuration en mode de fonctionnement normal. Une modification est intégrée après la mise sous tension suivante du dispositif. Soyez donc particulièrement vigilant lorsque vous gérez et utilisez les dip-switches de configuration.

Procédure d'alignement

L'alignement entre les unités active et passive est indispensable au bon fonctionnement de l'AOPD.

Un bon alignement empêche les sorties de devenir instables en raison de poussières ou de vibrations.

L'alignement est parfait dès lors que les axes optiques des faisceaux de l'unité active coïncident avec les axes optiques des miroirs correspondants de l'unité passive.



L'alignement s'effectue après l'installation mécanique et les raccordements électriques.

Activez le mode Alignement en appuyant sur le bouton-poussoir RÉARMEMENT pendant au moins 0,5 seconde lors de la mise en marche.

- 1) Tenez l'unité active immobile et orientez l'unité passive jusqu'à ce que le voyant jaune (▼ premier faisceau (FIRST)) s'éteigne. Cette condition indique l'alignement de la première paire émetteur-récepteur.
- 2) Tournez l'unité passive, en la faisant pivoter autour de l'axe du faisceau inférieur jusqu'à ce que le voyant jaune (▲ dernier faisceau (LAST)) s'éteigne.

NB : vérifiez que le voyant vert (➡) est allumé et ne clignote pas.

- 3) Faites légèrement pivoter les deux unités dans les deux sens afin de délimiter la zone dans laquelle le voyant vert (➡) reste allumé sans clignoter et d'obtenir l'affichage du chiffre 3 (qui indique l'alignement maximum). Positionnez les deux unités au centre de cette zone.
- 4) Fixez solidement les deux unités avec les équerres.

Vérifiez que le voyant vert (➡) de l'unité active est allumé lorsque les faisceaux ne sont pas interrompus. Vérifiez ensuite que le voyant rouge (➡) s'allume en cas d'interruption d'un seul faisceau. Procédez à cette vérification à l'aide de l'outil d'essai cylindrique spécial d'un diamètre adapté à la résolution du dispositif utilisé (cf. section « Vérifications après la première installation » de la notice d'instructions).

- 5) Éteignez le dispositif et rallumez-le en mode de fonctionnement normal.

Afficheur	État d'alignement	Qualité de l'alignement	État des sorties lorsque le dispositif n'est plus en mode Alignement
	Première et dernière paires non alignées	Faible	Sorties OSSD ouvertes
	Dernière paire non alignée	Faible	Sorties OSSD ouvertes
	Première paire non alignée	Faible	Sorties OSSD ouvertes
	Toutes les paires au-delà du seuil inférieur de réception des faisceaux lumineux et aucune paire au-delà du seuil supérieur de réception des faisceaux lumineux	Bonne	Sorties OSSD fermées
	Toutes les paires au-delà du seuil inférieur de réception des faisceaux lumineux et une paire au-delà du seuil supérieur de réception des faisceaux lumineux	↓	Sorties OSSD fermées
	Toutes les paires au-delà du seuil supérieur de réception des faisceaux lumineux		Excellente

Affichage et fonctions Diagnostic



Afficheur	État d'alignement	Qualité de l'alignement
	Toutes les paires au-delà du seuil inférieur de réception des faisceaux lumineux et aucune paire au-delà du seuil supérieur de réception des faisceaux lumineux	Min. Excellente
	Toutes les paires au-delà du seuil inférieur de réception des faisceaux lumineux et une paire au-delà du seuil supérieur de réception des faisceaux lumineux	
	Toutes les paires au-delà du seuil supérieur de réception des faisceaux lumineux	

Afficheur	État	Description	Action
	Interverrouillage	Zone de détection libre. Sorties OSSD ouvertes.	Appuyez sur le bouton RÉARMEMENT pour retourner au mode OSSD ON.
	Interverrouillage	Faisceau(x) interrompu(s). Sorties OSSD ouvertes.	Retirez l'objet de la zone de détection et appuyez sur le bouton RÉARMEMENT.
	Sorties OSSD fermées	Sorties OSSD fermées.	
	Sorties OSSD ouvertes	Sorties OSSD ouvertes.	
	Mode de fonctionnement normal, sorties OSSD ouvertes, interverrouillage	Fonction EDM activée.	
	Mode de fonctionnement normal, sorties OSSD ouvertes, interverrouillage	Fonction EDM désactivée.	
	Sorties OSSD ouvertes, interverrouillage	La fonction Prise de contrôle est prête à être activée.	Activez la fonction Prise de contrôle conformément à la section « Prise de contrôle » de la notice d'instructions.
	Mode Erreur	Erreur sur une sortie ou les deux sorties OSSD.	Vérifiez le câblage et les raccordements des sorties OSSD. Vérifiez l'absence de courts-circuits entre les raccordements ou avec la tension d'alimentation. Activez ensuite la fonction Reconnaissance. Si l'erreur persiste, contactez votre représentant d'ABB Jokab Safety.
		Sorties OSSD ouvertes.	

	Mode Erreur (critique)	Erreur de microprocesseur. Sorties OSSD ouvertes.	Éteignez et rallumez l'AOPD. Si l'erreur persiste, contactez votre représentant d'ABB Jokab Safety.
	Mode Erreur	Erreur optique. Sorties OSSD ouvertes.	Reconnaissez l'erreur. Si l'erreur persiste, contactez votre représentant d'ABB Jokab Safety.
	Mode Erreur	Erreur EDM. Sorties OSSD ouvertes.	Vérifiez le câblage et les raccordements de la VALIDATION EDM et de l'EDM ainsi que la séquence temporelle (cf. chronogramme dans la notice d'instructions). Reconnaissez l'erreur. Si l'erreur persiste, contactez votre représentant d'ABB Jokab Safety.
	Sorties OSSD ouvertes	Erreur de séquence de la prise de contrôle, sorties OSSD ouvertes	Vérifiez la séquence temporelle de la fonction Prise de contrôle (cf. chronogramme de la notice d'instructions). Si l'erreur persiste, contactez votre représentant d'ABB Jokab Safety.
	Mode Erreur (critique)	Erreur de dip-switch, sorties OSSD ouvertes	Vérifiez les paramètres des dip-switches et éteignez et rallumez l'AOPD. Si l'erreur persiste, contactez votre représentant d'ABB Jokab Safety.
	Mode Erreur	Erreur de lampes interne et externe, sorties OSSD ouvertes	Vérifiez la connexion de la lampe externe et confirmez. Si l'erreur persiste, contactez votre représentant d'ABB Jokab Safety.
	AOPD éteint	Erreur au niveau de l'alimentation électrique. Sorties OSSD ouvertes.	Vérifiez le câblage et les raccordements de l'alimentation. Vérifiez que la valeur se situe dans la fourchette autorisée. Si l'erreur persiste, contactez votre représentant d'ABB Jokab Safety.

Il n'est pas possible de reconnaître une erreur critique. Le dispositif doit être éteint puis rallumé. Si l'erreur persiste, contactez votre représentant d'ABB Jokab Safety.

Caractéristiques techniques

Fabricant	
Adresse	ABB JOKAB SAFETY Varlabergsvägen 11 SE-434 39 Kungsbacka, Suède
Données électriques	
Tension d'alimentation :	+24 Vcc ± 20 %
Consommation de l'unité active (RX) :	2,5 W max. (fonctionnement normal sans charge)
Sorties :	2 PNP
Protection contre les courts-circuits :	1,4 A max. à 55 °C
Courants des sorties	0,5 A max./sortie
Tension des sorties – état ON :	Valeur de la tension d'alimentation moins 1 V
Tension des sorties – état OFF	0,2 V
Charge capacitive :	2,2 µF à +24 Vcc max.
Courant pour la lampe externe :	20 mA min, 250 mA max
Temps de réponse :	De 11 à 12 ms - cf. section 12 de la notice d'instructions.
Hauteur protégée :	De 500 mm à 1 200 mm. Cf. section 12 de la notice d'instructions.
Protection électrique :	Classe III – utilisation d'un système SELV/TBTP
Raccordements :	Connecteur M12 mâle à 8 pôles
Longueur des câbles (pour l'alimentation) :	70 m max.
Degré de pollution	2
Données optiques	
Système d'éclairage (λ) :	Voyant infrarouge (860 nm)
Résolution :	Cf. section 12 de la notice d'instructions.
Distance de fonctionnement :	De 0,5 à 8 ms - cf. section 12 de la notice d'instructions.
Réjection à la lumière ambiante :	Conformément à la norme CEI 61496-2:2013

Données mécaniques et conditions ambiantes

Température de fonctionnement :	0...+55 °C
Température de stockage :	-25...+70 °C
Classe de température :	T6
Humidité :	15...95 % (sans condensation)
Classe de protection :	IP65 (EN 60529:2000)
Vibrations :	Amplitude de 0,35 mm, fréquence de 10...55 Hz, 20 balayages par axe, 1 octave/minute (norme EN 60068-2-6:2008)
Résistance aux chocs :	16 ms (10 G) 1 000 chocs par axe (norme EN 60068-2-29:2008)
Matériau du boîtier :	Aluminium peint (jaune RAL 1003)
Matériau de la plaque frontale :	PMMA
Matériau des bouchons :	PBT Valox 508 (gris RAL 7035)
Poids, par unité et sans emballage :	
Orion3-4-K1C-050-E	1,3 kg
Orion3-4-K2C-080-E	1,8 kg
Orion3-4-K2C-090-E	2,1 kg
Orion3-4-K2C-120-E	2,6 kg
Orion3-4-M1C-050 (unité passive)	1,2 kg
Orion3-4-M2C-080 (unité passive)	1,7 kg
Orion3-4-M2C-090 (unité passive)	1,9 kg
Orion3-4-M2C-120 (unité passive)	2,5 kg

Sécurité fonctionnelle

Norme EN ISO 13849-1:2008	PL e, Cat 4
Norme EN CEI 61508-1:2010, Norme EN CEI 61508-2:2010, Norme EN CEI 61508-3:2010, Norme EN CEI 61508-4:2010	SIL 3
Norme EN CEI 62061:2005/A1:2013	SIL CL 3
Probabilité de défaillance dangereuse par heure (1/h)	PFH _d 8,57 x 10 ⁻⁹
Durée (en années)	T1 20
Temps moyen avant une défaillance dangereuse (en années)	MTTF _d 439

Déclaration CE de conformité

Un exemplaire de la Déclaration CE de conformité figure dans la notice d'instructions et peut être téléchargé sur le site www.abb.com/jokabsafety

Fragmentos de las instrucciones originales

Orion3 Extended

Barreras fotoeléctricas de seguridad

Dispositivo activo optoelectrónico de protección (AOPD) de tipo 4




El manual de instrucciones completo se entrega junto con el producto en formato digital y también puede descargarse en este enlace:

www.abb.com/jokabsafety



A pesar de que se ha hecho todo lo posible para intentar garantizar la fiabilidad de los datos que aparecen en este documento, así como en el resto del material promocional e informativo asociado al mismo, ABB Jokab Safety no se hace responsable de los posibles errores u omisiones que contenga y se reserva el derecho a aplicar actualizaciones en el mismo sin previo aviso. Corresponde al usuario la responsabilidad de que el equipo se diseñe, especifique, instale, mantenga y maneje correctamente y de conformidad con toda la legislación y regulación local, nacional e internacional. Los datos de las fichas técnicas que aparecen en nuestros documentos se ajustan a los procedimientos de ensayo de ABB Jokab Safety, cuyo nivel de fiabilidad ha sido verificado por diversas instituciones internacionales homologadas. El resto de la información suministrada (como los ejemplos de aplicación y los diagramas de cableado, funcionamiento o uso) solo pretende ilustrar la variedad de usos posibles de nuestros productos. ABB Jokab Safety no garantiza ni sugiere que el producto utilizado según dichos ejemplos en un entorno determinado cumpla con los requisitos de seguridad necesarios; del mismo modo, no asume la responsabilidad del uso que se haga del producto basándose en los ejemplos propuestos.

Información de seguridad


 **Advertencia:** Para garantizar un uso correcto y seguro de las barreras fotoeléctricas Orion3 Extended, se deben tener en cuenta los siguientes puntos:


- El sistema de parada de la máquina debe controlarse eléctricamente.
- Este sistema de control debe tener la capacidad de detener el movimiento peligroso de la máquina dentro del tiempo total de parada de la máquina (T) indicado en el apartado «Distancia mínima de instalación», durante todas las fases del ciclo de trabajo.
- El montaje y la conexión del AOPD debe realizarlos únicamente personal cualificado conforme a las indicaciones que se adjuntan en las secciones correspondientes y a las normativas aplicables.
- El AOPD debe fijarse en una posición que imposibilite el acceso a la zona peligrosa sin la interrupción de los haces; consulte el apartado «Instalación» del manual de instrucciones.
- El personal que realice sus funciones en la zona peligrosa debe tener una formación y unos conocimientos adecuados sobre todos los procedimientos de trabajo del AOPD.
- El botón Rearme (RESET) debe ubicarse fuera de la zona peligrosa, dado que el operario deberá comprobar toda la zona peligrosa durante cada operación de rearme y anulación. Se debe imposibilitar la activación del botón desde la zona peligrosa.
- La luz externa que indica que la función de muting está activa debe poder verse desde todas partes.
- Siga cuidadosamente las instrucciones de montaje de los sensores de muting; consulte el apartado «Muting» del manual de instrucciones.
- Si se utiliza la función de monitorización de dispositivos externos (EDM), esta debe activarse mediante interruptores DIP.

Lea atentamente las instrucciones antes de conectar el AOPD para asegurarse de su correcto funcionamiento.

Instalación

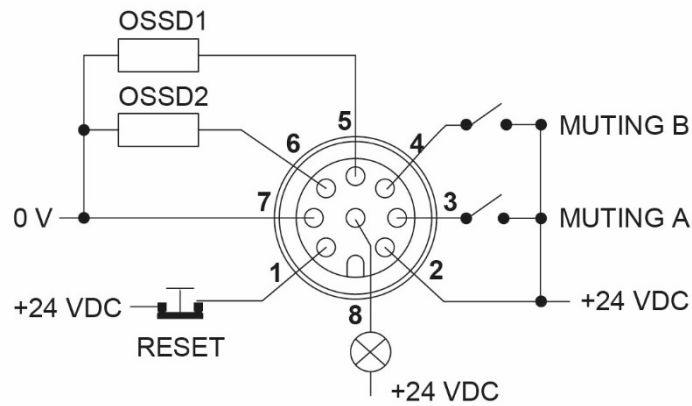
- Las salidas (OSSD) del AOPD deben utilizarse como dispositivos de parada, no como dispositivos de comando. La máquina deberá contar con su propio accionamiento de puesta en marcha.
- La resolución del AOPD debe ser inferior a las dimensiones del objeto más pequeño que se desee detectar.
- La instalación del AOPD debe realizarse en una estancia que reúna las características técnicas necesarias descritas en el apartado «Ficha técnica» del manual de instrucciones.
- Mantenga el AOPD alejado de fuentes de luz intensa o parpadeante y de dispositivos similares.
- Las interferencias electromagnéticas intensas pueden comprometer el correcto funcionamiento del AOPD. Consulte a su especialista de ABB Jokab Safety para obtener asesoramiento.
- La distancia operativa del dispositivo puede verse reducida en presencia de contaminación, niebla o partículas en suspensión.
- Los cambios bruscos de temperatura ambiente con picos de descenso muy bajos pueden generar una ligera capa de condensación sobre las lentes y comprometer el correcto funcionamiento del equipo.
- La existencia de superficies reflectantes cerca de los haces de luz del AOPD (por encima, por debajo o en sus laterales) puede provocar reflejos pasivos. Estos reflejos pueden afectar al reconocimiento de los objetos dentro de la zona de detección.
- Una luz de muting/anulación indica la función de muting/anulación. Compruebe que la luz se ilumine suficientemente y se encuentre en un lugar visible cerca de la zona peligrosa.
- Asegúrese de utilizar los sensores de muting de la forma correcta, tal y como se especifica en apartado «Muting» del manual de instrucciones.
- Procure no realizar conexiones inapropiadas que no se puedan controlar, así evitará situaciones potencialmente peligrosas provocadas por activaciones involuntarias.

 **Advertencia:** es necesario respetar la distancia mínima de instalación. Si desea obtener más información acerca de su método de cálculo, consulte el manual de instrucciones o la norma EN ISO 13855:2010.

 **Advertencia:** asegúrese de probar el funcionamiento y realizar las comprobaciones descritas en el apartado «Comprobaciones necesarias tras la primera instalación» del manual de instrucciones antes de la puesta en marcha de la máquina.

Conexiones eléctricas

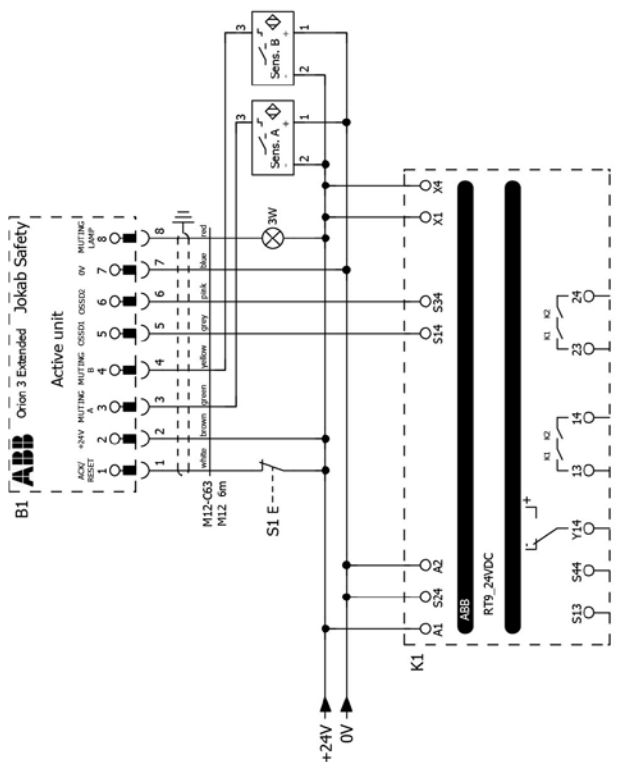
Unidad activa



Pin	Cable ¹	Función	Conexión a	
1	Blanco	RESET ACKN. EDM	Rearme auto. sin función	+24 V CC
			Rearme auto. con EDM	Contacto NC de un relé de guía forzada a +24 V CC
			Rearme manual sin función	Contacto NC a +24 V CC
			Rearme manual con EDM	Contacto NC en serie con un contacto NC de un relé de guía forzada a +24 V CC
2	Marrón	Alimentación	+24 V CC	
3	Verde	MUTING A	Sensor de muting A	
4	Amarillo	MUTING B	Sensor de muting B	
5	Gris	OSSD1	Módulo del control de seguridad de ex.	
6	Rosa	OSSD2	Módulo del control de seguridad de ex.	
7	Azul	Alimentación	0 V	
8	Rojo	Luz de muting	Luz de muting y +24 V CC	

¹Colores de los cables estándar de ABB Jokab Safety.

Ejemplo de conexión a un relé de seguridad RT9

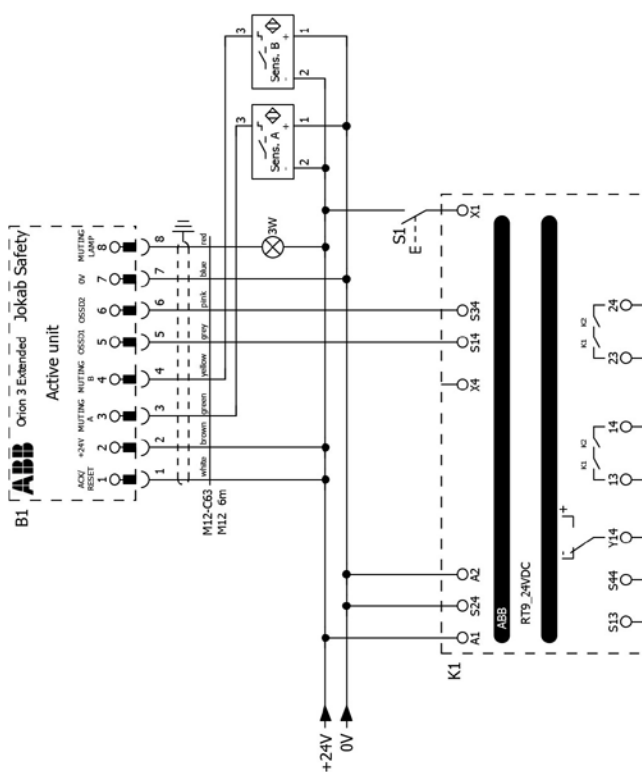


ORION3 Extended with muting sensors

Reset button connected to the light guard

Configuration of the light guard:

- Manual reset
- EDM deactivated



ORION3 Extended with muting sensors

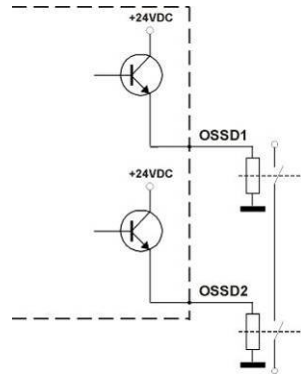
Reset button connected to the safety relay

Configuration of the light guard:

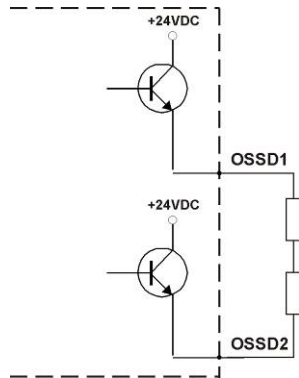
- Automatic reset
- EDM deactivated

Conexión de las salidas OSSD

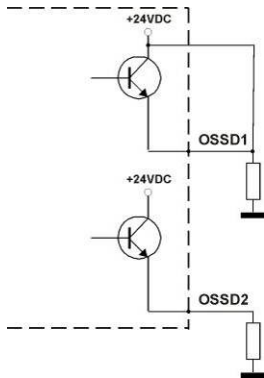
SÍ



SÍ

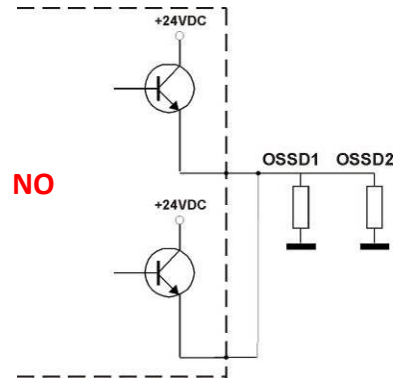


NO



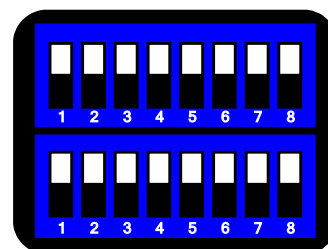
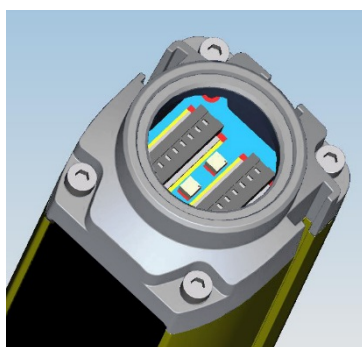
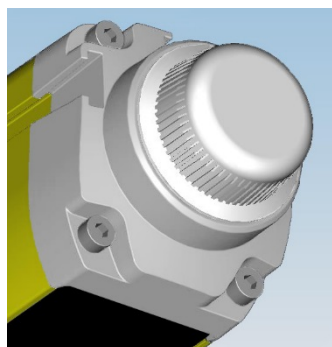
NO

NO



Funciones

Desatornille la tapa que se encuentra en la parte superior de la unidad activa para poder acceder a los interruptores DIP.



Nota: cada función está asociada a dos interruptores DIP. Los interruptores DIP superiores e inferiores se deben configurar del mismo modo. El dispositivo se entrega en la posición «ON».

Los interruptores DIP dan acceso a las funciones que se describen en la siguiente tabla:

Interruptores DIP	Función	Encendido*	Apagado
1	Tiempo límite del muting	10 min	∞
2	Muting en T/X o L	Muting en T/X	Muting en L
3	Filtro de muting	Desactivada	Activada
4	Rearme de la anulación	Manual	Automático
5	No utilizado	-	-
6	EDM	Desactivada	Activada
7	Rearme	Automático	Manual
8	No utilizado	-	-

* Configuración predeterminada de fábrica

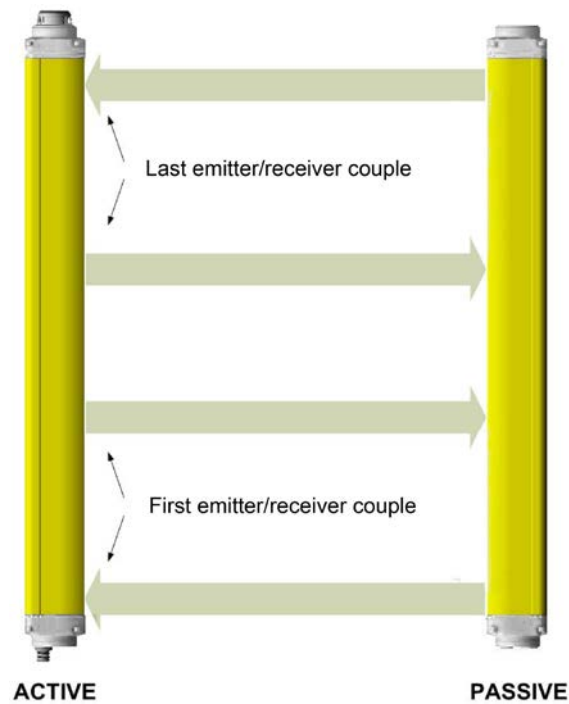
⚠ Advertencia: el muting infinito (tiempo límite = ∞) no cumple con la normativa EN 61496-1:2013. Este significa que se deben tener en cuenta todos los posibles riesgos y las medidas de precaución necesarias antes de seleccionar la opción « ∞ ».

⚠ Advertencia: el dispositivo no permite los cambios de configuración durante el funcionamiento normal. Los cambios se aplicarán la próxima vez que se encienda el dispositivo, por lo que la manipulación y el uso de los interruptores DIP para la configuración debe llevarse a cabo con sumo cuidado.

Procedimiento de alineación

Para disfrutar de un correcto funcionamiento del AOPD, es necesario llevar a cabo la alineación entre la unidad activa y la pasiva. Una correcta alineación previene la inestabilidad derivada de la presencia de polvo o vibraciones.

El alineamiento es perfecto cuando los ejes ópticos de los haces de la unidad activa coinciden totalmente con los correspondientes ejes ópticos de la unidad pasiva.



El proceso de alineación debe realizarse tras haber completado la instalación mecánica y las conexiones eléctricas.

El modo de alineación se activa pulsando el botón Rearme (RESET) durante un mínimo de 0,5 s durante el arranque.

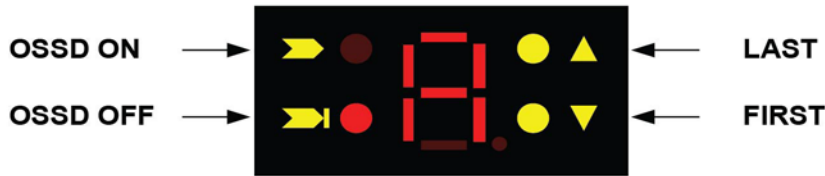
- 1) Mantenga la unidad activa en una posición estable y ajuste la unidad pasiva hasta que el LED amarillo (▼ FIRST) se apague. Esta condición indica la alineación de la primera pareja transmisor-receptor.
- 2) Gire la unidad pasiva, haciéndola rotar sobre el eje de las ópticas inferiores, hasta que el LED amarillo (▲ LAST) se apague.

Nota: asegúrese de que el LED verde (➡) esté encendido y no parpadee.

- 3) Gire lentamente las dos unidades en ambas direcciones para localizar los límites de la zona dentro de los cuales el LED verde (➡) se mantiene encendido sin parpadear y la pantalla muestra un «3» (alineación máxima). Una vez hecho esto, coloque las dos unidades en el centro de esta zona.
- 4) Fije las dos unidades firmemente con la ayuda de los soportes.
Asegúrese de que el LED verde (➡) de la unidad activa esté encendido cuando los haces no se ven interrumpidos. A continuación, compruebe que el rojo (➡I) se encienda cuando se interrumpa uno de los haces. Esta comprobación debe realizarse con la «pieza de prueba» cilíndrica especial que tenga el tamaño adecuado para la resolución del dispositivo utilizado (consulte el apartado «Comprobaciones necesarias tras la primera instalación» del manual de instrucciones).
- 5) Apague el dispositivo y vuélvalo a encender en modo de funcionamiento normal.

Pantalla	Estado de alineación	Calidad de la alineación	Estado de salida fuera del modo de alineación
	La primera y la última pareja no están alineadas	Mala	OSSD OFF
	La última pareja no está alineada	Mala	OSSD OFF
	La primera pareja no está alineada	Mala	OSSD OFF
	Todas las parejas por encima del umbral inferior de recepción fotoeléctrica y ninguna por encima del umbral superior	Buena	OSSD ON
	Todas las parejas por encima del umbral inferior de recepción fotoeléctrica y una por encima del umbral superior	↓	OSSD ON
	Todas las parejas por encima del umbral superior de recepción fotoeléctrica		Excelente

Pantalla y funciones de diagnóstico



Pantalla	Estado de alineación	Calidad de la alineación
	Todas las parejas por encima del umbral inferior de recepción fotoeléctrica y ninguna por encima del umbral superior	<p>Mín. Excelente</p>
	Todas las parejas por encima del umbral inferior de recepción fotoeléctrica y una por encima del umbral superior	
	Todas las parejas por encima del umbral superior de recepción fotoeléctrica	

Pantalla	Estado	Descripción	Acción
	Interbloqueo	Zona de detección despejada. Salidas OSSD OFF.	Pulse el botón Rearme (RESET) para volver a OSSD ON.
	Interbloqueo	Haces interrumpidos Salidas OSSD OFF.	Retire el objeto de la zona de detección y pulse el botón Rearme (Reset).
	OSSD ON	Salidas OSSD ON.	
	OSSD OFF	Salidas OSSD OFF.	
	Modo de funcionamiento normal, OSSD OFF, interbloqueo	Función de EDM activada.	
	Modo de funcionamiento normal, OSSD OFF, interbloqueo	Función de EDM desactivada.	
	OSSD OFF, interbloqueo	Función de anulación lista para su activación	Active la función de anulación según lo descrito en el apartado «Anulación» del manual de instrucciones.
	Modo de error	Error de OSSD, en uno o en dos. Salidas OSSD OFF.	Compruebe el cableado y las conexiones de las salidas OSSD. Asegúrese de que no se haya producido ningún cortocircuito entre estos dos elementos, así como en la tensión de alimentación. A continuación, active la función de confirmación. Si el error persiste, póngase en contacto con un especialista de ABB Jokab Safety.

Ficha técnica

Fabricante

Dirección	ABB JOKAB SAFETY Varlabergsvägen, 11 SE-434 39 Kungsbacka (Suecia)
-----------	--

Circuito eléctrico

Fuente de alimentación:	+24 V CC \pm 20 %
Consumo de la unidad activa (RX):	2,5 W máx. (funcionamiento normal sin carga)
Salidas:	2 PNP
Protección frente a cortocircuitos:	1,4 A máx. a 55 °C
Corriente de salida	0,5 A/salida máx.
Tensión de salida (encendido):	Fuente de alimentación inferior a 1 V
Tensión de salida: apagado	0,2 V
Carga capacitiva:	2,2 μ F a +24 V CC máx.
Corriente para la luz externa:	20 mA mín, 250 mA máx
Tiempo de respuesta:	De 11 a 12 ms. Consulte el apartado 12 del manual de instrucciones.
Altura protegida:	Entre 500 y 1200 mm. Consulte el apartado 12 del manual de instrucciones.
Protección eléctrica:	Clase III. Utilice SELV/PELV
Conexiones:	conector M12 macho de 8 polos
Longitud del cable (fuente de alimentación):	70 m máx.
Grado de polución	2

Óptica

Emitancia luminosa (λ):	Infrarrojos, LED (860 nm)
Resolución:	Consulte el apartado 12 del manual de instrucciones.
Distancia operativa:	De 0,5 a 8 ms. Consulte el apartado 12 del manual de instrucciones.
Atenuación de luz ambiental:	Conforme a IEC 61496-2:2013

Mecánica y datos ambientales

Temperatura de funcionamiento:	0 - +55 °C
Temperatura de almacenamiento:	-25 - +70 °C
Clase de temperatura:	T6
Humedad:	15-95 % (sin condensación)
Clase de protección:	IP65 (EN 60529:2000)
Vibraciones:	Anchura 0,35 mm; frecuencia 10-55 Hz; 20 barridos por eje; 1/8 min (EN 60068-2-6:2008)
Resistencia a los impactos:	16 ms (10 G) 10 ³ impactos por eje (EN 60068-2-29:2008)
Material de la carcasa:	Aluminio pintado (amarillo RAL 1003)
Material del cristal delantero:	PMMA
Material de las tapas:	PBT Valox 508 (gris RAL 7035)
Peso, unidad sencilla sin paquete:	
Orion3-4-K1C-050-E	1,3 kg
Orion3-4-K2C-080-E	1,8 kg
Orion3-4-K2C-090-E	2,1 kg
Orion3-4-K2C-120-E	2,6 kg
Orion3-4-M1C-050 (pasiva)	1,2 kg
Orion3-4-M2C-080 (pasiva)	1,7 kg
Orion3-4-M2C-090 (pasiva)	1,9 kg
Orion3-4-M2C-120 (pasiva)	2,5 kg

Seguridad operativa

EN ISO 13849-1:2008	PL e, Cat. 4
EN IEC 61508-1:2010, EN IEC 61508-2:2010, EN IEC 61508-3:2010, EN IEC 61508-4:2010	SIL 3
EN IEC 62061:2005/A1:2013	SIL CL 3
Probabilidad de fallos peligrosos por hora (1/h)	PFH _d 8,57 × 10 ⁻⁹
Vida útil (años)	T1 20
Tiempo medio entre fallos peligrosos (años)	MTTF _d 439

Declaración CE de conformidad

En el manual de instrucciones se puede consultar la copia de la Declaración CE de conformidad, que también se puede descargar en la página www.abb.com/jokabsafety