

T5-600/T5-1000 *Electrical Tester*

Service Information

Introduction

This service information sheet provides the following information for the T5-600 and T5-1000 Electrical Testers (hereafter referred to as "the tester").


- Safety information
- Parts and service information
- Specifications
- Cleaning procedure
- Required equipment
- Performance tests
- Parts and accessories list
- Battery replacement procedure

For operating instructions, refer to the *T5-600/T5-1000 Electrical Tester Instruction Sheet*.

Safety Information

Warning

To avoid possible electric shock or personal injury, follow these guidelines:

- **Use caution when working with voltages above 30 V ac rms, 42 V ac peak, or 60 V dc. Such voltages pose a shock hazard.**
- **Do not use the tester if it or its test leads appear damaged, or if you suspect that the tester is not operating properly.**
- **Before each use, verify the tester's operation by measuring a known voltage.**
- **Disconnect the live test lead before disconnecting the common test lead.**
- **When using the probes, do not touch the metal probe tips.**
- **Never apply more than the rated voltage, as marked on the tester, between a terminal and earth ground.**
- **To avoid false readings, which could lead to possible electric shock or personal injury, replace the battery immediately after the battery indicator appears ().**
- **Do not use controls, adjustments, or procedures not documented or approved by Fluke Corporation.**

Parts and Service

The tester is warranted to be free from defects in material and workmanship for two years, while under normal use. Parts and repairs are warranted for 90 days. For the complete warranty statement, refer to the *T5-600/T5-1000 Electrical Tester Instruction Sheet*.

To order parts, or for warranty service, contact Fluke as follows:

USA and Canada: 1-888-993-5853
(1-888-99-FLUKE)

Europe: +31 402-678-200

Japan: +81-3-3434-0181

Singapore: +65-✳-276-6196

Anywhere in the world: +1-425-356-5500

Or, visit Fluke's Web site at www.fluke.com.

Specifications

Accuracy is specified for one year after calibration, at 18 °C to 28 °C (64 °F to 82 °F) with relative humidity to 90 %. AC conversions are ac-coupled, average responding, and calibrated to the rms value of a sine wave input. Accuracy specifications are given as follows:


$$\pm([\% \text{ of reading}] + [\text{number of least significant digits}])$$

Temperature coefficient of 0.1 x (specified accuracy)/ °C for <18 °C or >28 °C (<64.4 °F or >82.4 °F)

General Specifications

Calibration	One-year calibration cycle.
Maximum Voltage Between any Terminal and Earth Ground	T5-600: 600 V rms, Overvoltage Category III T5-1000: 1000 V rms, Overvoltage Category III
Temperature	Operating: -10 °C to +50 °C (14 °F to 122 °F); Storage: -30 °C to +60 °C (-22 °F to +140 °F)
Altitude	Operating: 2000 m (6562 ft); Storage: 10,000 m (32808 ft)
Relative Humidity	0 % to 95 %, 5 °C to 30 °C (41 °F to 86 °F); 0 % to 75 %, 30 °C to 40 °C (86 °F to 104 °F); 0 % to 45 %, 40 °C to 50 °C (104 °F to 122 °F)
Battery Type and Life	AA (2); 400 hours continuous with alkaline; 200 hours continuous with zinc chloride
Shock, Vibration	1 m drop at 15 °C to 35 °C (59 °F to 95 °F) per ANSI/ISA-S82.01-1994 and EN 61010-1 1993. Sinusoidal vibration per MIL-PRF-28800F for a Class 2 instrument (5 Hz to 55 Hz, 3 g maximum)
Surge Protection	T5-600: 6 kV per IEC 1010-1, 1990-09; T5-1000: 8 kV per IEC 1010-1, 1990-09
Enclosure Rating	IP 52 per IEC 529, no vacuum applied

General Specifications (continued)

RF Field Specification	0.5 % full scale + (specified accuracy) at 3 V/m up to 100 MHz
Safety	Complies with ANSI/ISA-S82.01-94 for use in overvoltage category III (CAT III) locations, UL3111, CSA/CAN C22.2 No.1010.1-92, and EN61010-1 1993.
EMC	EN 50081-1, EN 50082-1
Certifications	 UL, VDE, and CSA certifications pending.

Resolution and Accuracy

Function	T5-600 Range	T5-1000 Range	Resolution	Accuracy
\tilde{V}	600 V rms	1000 V rms	1 V	$\pm(1.5 \% + 2 \text{ digits})$
\bar{V}	600 V	1000 V	1 V	$\pm(1 \% + 1 \text{ digit})$
\tilde{A}	100.0 A	100.0 A	0.1 A	$\pm(3 \% + 3 \text{ digits})$
Ω	1000 Ω	1000 Ω	1 Ω	$\pm(1 \% + 2 \text{ digits})$

Input Characteristics

Function	Input Impedance (nominal)	Input Protection	
		T5-600	T5-1000
\tilde{V}	1 M Ω , <100 pF ac-coupled	600 V rms	1000 V rms
\bar{V}	1 M Ω , <100 pF	600 V rms	1000 V rms
Ω	>2.6 k Ω	600 V rms	1000 V rms
Ω	Open Circuit Test Voltage	Short Circuit Current	
	2.4 V dc (nominal)	<600 μ A	

Cleaning the Tester

Δ Warning

To avoid electric shock or damage to the tester, never allow water inside the case. To avoid damaging the tester's case, never use solvents on the tester.

If the tester requires cleaning, wipe it down with a cloth that is lightly dampened with water or a mild detergent. Do not use aromatic hydrocarbons, chlorinated solvents, or methanol-based fluids when wiping down the tester.

Equipment Required for Performance Tests

The following equipment is required for performance tests:

- Fluke 5500A Multi-Product Calibrator, or equivalent
- 0 V to 5 V adjustable dc power supply
- Approximately 8 m (26 ft) of #14 single-conductor magnet wire wound into a butterfly-shaped coil. Figure 1 shows how to make the coil.

Performance Tests

Use the following procedures to verify the tester's performance. If the tester fails any of the tests, return it to Fluke for calibration or repair.

Testing the AC Current Function

The tests in this section require the butterfly coil shown in Figure 1. Note that the 10 conductors in the middle of the coil cause the tester to read 10 times more current than the calibrator supplies.

1. Put one edge of the butterfly coil in a vice to hold the coil during testing.
2. Set the calibrator to the current and frequency given in Step 1 of Table 1.
3. Connect the butterfly coil to the calibrator.
4. Set the tester to the amperage function.
5. Place the tester's current fork around the middle of the coil so that the alignment marks are centered and perpendicular to the wire bundle, as shown in Figure 1.
6. Verify that the tester reads within the display limits shown for Step 1 in Table 1.
7. Apply the currents and verify the tester's readings for the remaining steps in Table 1.

Table 1. AC Current Tests

Step	Calibrator output	T5-600/T5-1000 Display Limits
1	10 A, 60 Hz	96.7 to 103.3
2	10 A, 45 Hz	96.7 to 103.3
3	0.5 A, 45 Hz	4.5 to 5.5

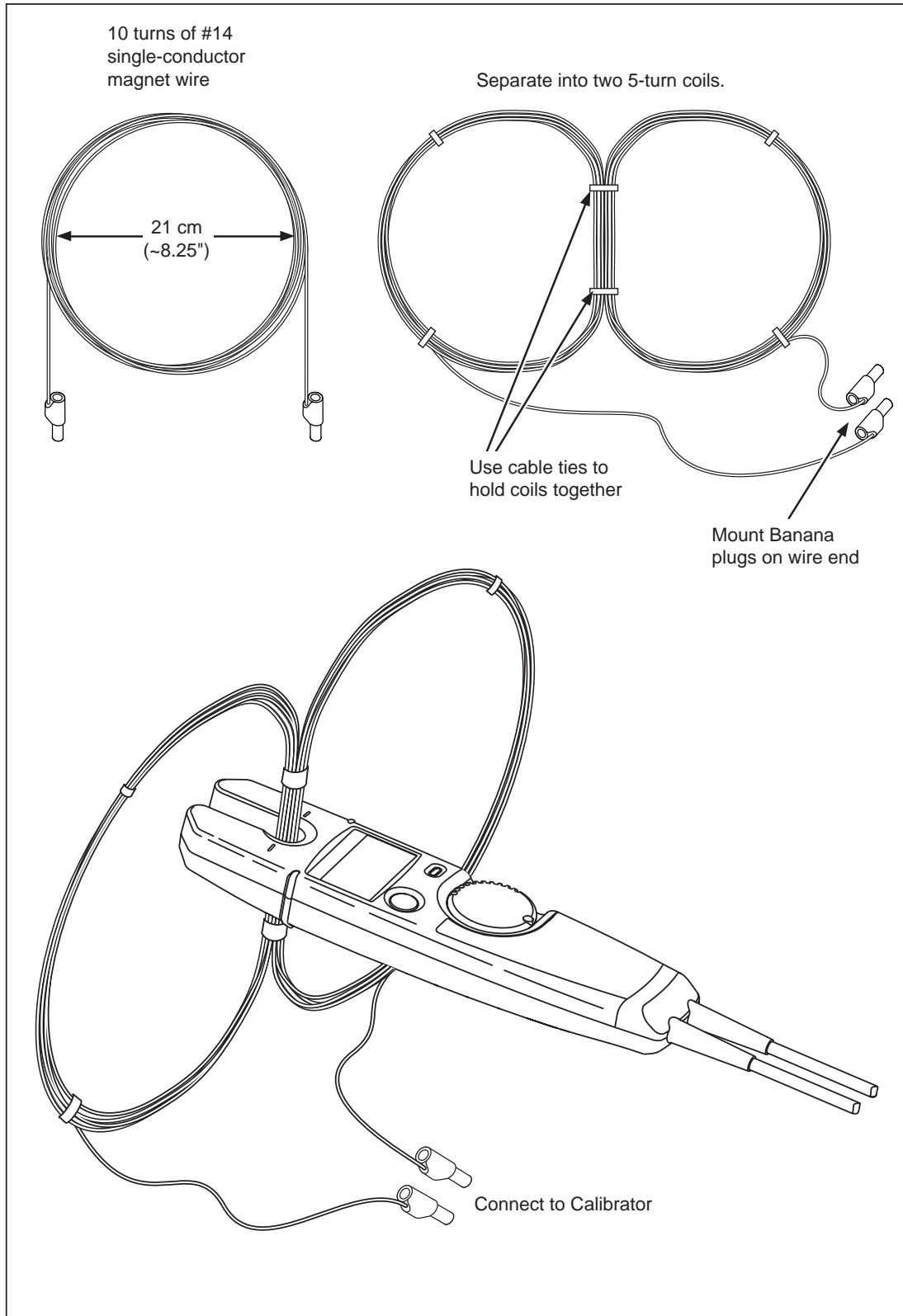


Figure 1. Making the Butterfly Coil

qp7f.eps

Testing the Voltage Functions

The tests in this section check the following voltage functions:

- Automatic selection of ac or dc voltage mode
- Correct operation of the hazardous voltage indicator
- Correct operation of the HOLD function

Perform the tests as follows:

1. Set the calibrator to the T5-600 or T5-1000 test voltage given in Table 2.
2. Apply the voltage to the tester. Verify that the tester reads within the display limits shown.
3. Apply the voltages and verify the tester's readings for the steps in Tables 3 and 4.

Table 2. AC Voltage Test

T5-600		T5-1000	
Calibrator Output	T5-600 Display Limits (AC annunciator ON)	Calibrator Output	T5-1000 Display Limits (AC annunciator ON)
600 V, 60 Hz	589 to 611	1000 V, 60 Hz	983 to 1017

Table 3. DC Voltage Tests

Step	T5-600		T5-1000	
	Calibrator Output	T5-600 Display Limits (DC annunciator ON)	Calibrator Output	T5-1000 Display Limits (DC annunciator ON)
1	600 V dc	593 to 607	1000 V dc	989 to 1011
2	-60 V dc	-58 to -62	-100 V dc	-98 to -102
3	1.0 V dc	1 ±1*	1.0 V dc	1 ±1*
4	-1.0 V dc	-1 ±1*	-1.0 V dc	-1 ±1*

* Verify that the ac annunciator is OFF.

Table 4. Hazardous Voltage LED and HOLD Function Tests

Step	Calibrator Output	T5-600/T5-1000 Display Indicators
1	12 V, 60 Hz	Reading: 12 ± 1 Hazardous voltage LED OFF
2	12 V, 60 Hz Tap tester's HOLD button	Reading: 12 ± 1 Hazardous voltage LED OFF HOLD indicator ON
3	+31 V dc	Reading: 12 ± 1 Hazardous voltage LED ON HOLD indicator ON

Resistance and Continuity Function Tests


1. Set the calibrator to the resistance given in Step 1 of Table 5.
2. Apply the resistance to the tester. Verify that the tester reads within the display limits shown.
3. Apply the resistances and verify the tester's responses for the remaining steps in Table 5.

Table 5. Resistance and Continuity Tests

Step	Calibrator Output	T5-600/T5-1000 Display Limits and Beeper Responses
1	1 k Ω	988 to 1012
2	50 Ω	Beeper ON
3	300 Ω	Beeper OFF
4	0 Ω	-2 to 2

Low Battery Indicator Test

The following procedure verifies correct operation of the low battery indicator.

1. Remove the tester's batteries.
2. Set the dc power supply to 3.0 V. Apply this voltage to the tester's battery terminals.
3. Set the calibrator to 1 k Ω . Apply this resistance to the tester's probes.
4. Slowly decrease the dc voltage just until the tester's low battery indicator () turns on.
5. Verify that the tester reads 1000 \pm 12 counts (988 to 1012).
6. Disconnect the calibrator and the dc power supply. Reinstall the tester's batteries.

Parts and Accessories

Tables 6 shows the replacement parts and accessories available from Fluke for the T5-600 and T5-1000 Electrical Testers.

Table 6. Replacement Parts and Accessories


Description	Fluke Part Number
Test lead assembly  Replace only with Fluke double-insulated leads.	648029
Battery door	648144
Battery door screw	643830
AA battery, 1.5 V, carbon-zinc (2 required)	650181
AA battery, 1.5 V, alkaline (2 required)	376756
<i>T5-600/T5-1000 Electrical Tester Instruction Sheet</i> English, French, Spanish, Portuguese	688355

Table 6. Replacement Parts and Accessories (continued)

Description	Fluke Part Number
<i>T5-600/T5-1000 Electrical Tester Instruction Sheet</i> English, French, German, Italian, Finnish, Dutch	688371
<i>T5-600/T5-1000 Electrical Tester Instruction Sheet</i> English, Norwegian, Swedish, Spanish, Portuguese	688374
<i>T5-600/T5-1000 Electrical Tester Instruction Sheet</i> English, Korean, Japanese, Thai, Simplified Chinese, Traditional Chinese	688366
H5 Belt Holster	Accessory
TP1 Probe Set, Flat Blade	Accessory
TP4 Probe Set, 4 mm Round	Accessory

Battery Replacement

Figure 2 shows how to replace the batteries. Observe the polarity markings inside the battery compartment.

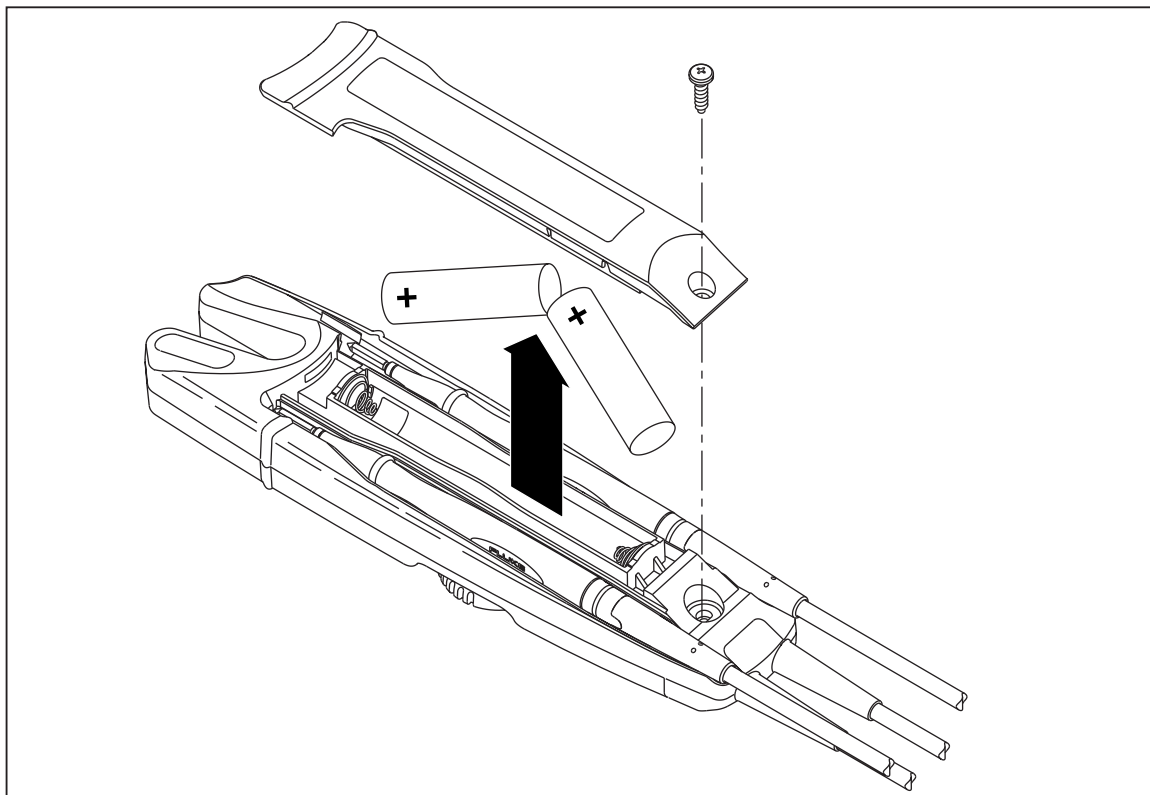


Figure 2. Replacing the Batteries

qp1f.eps