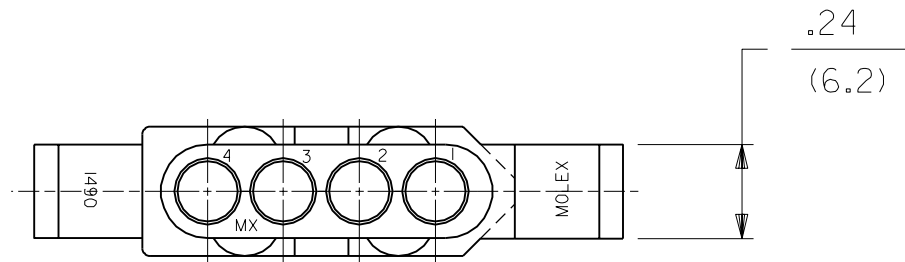
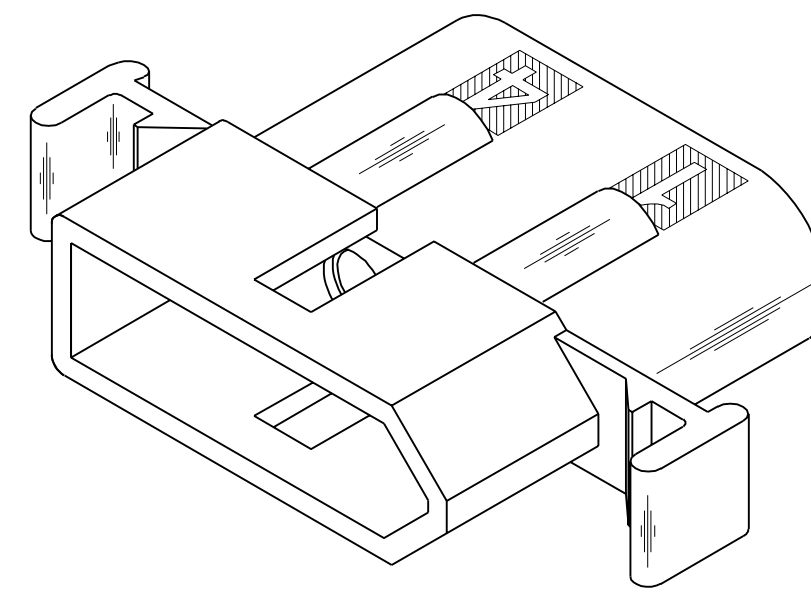
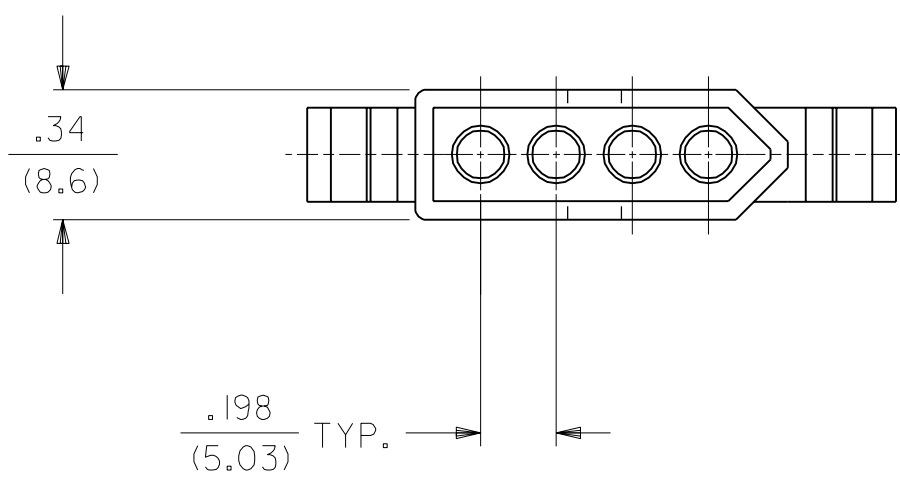
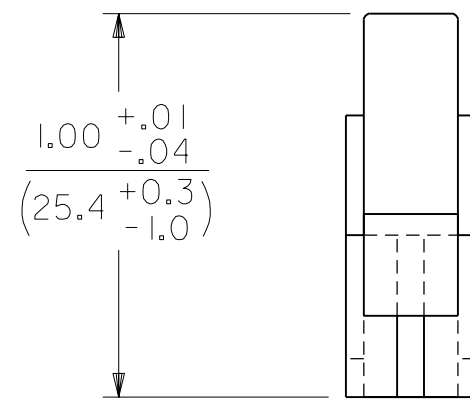
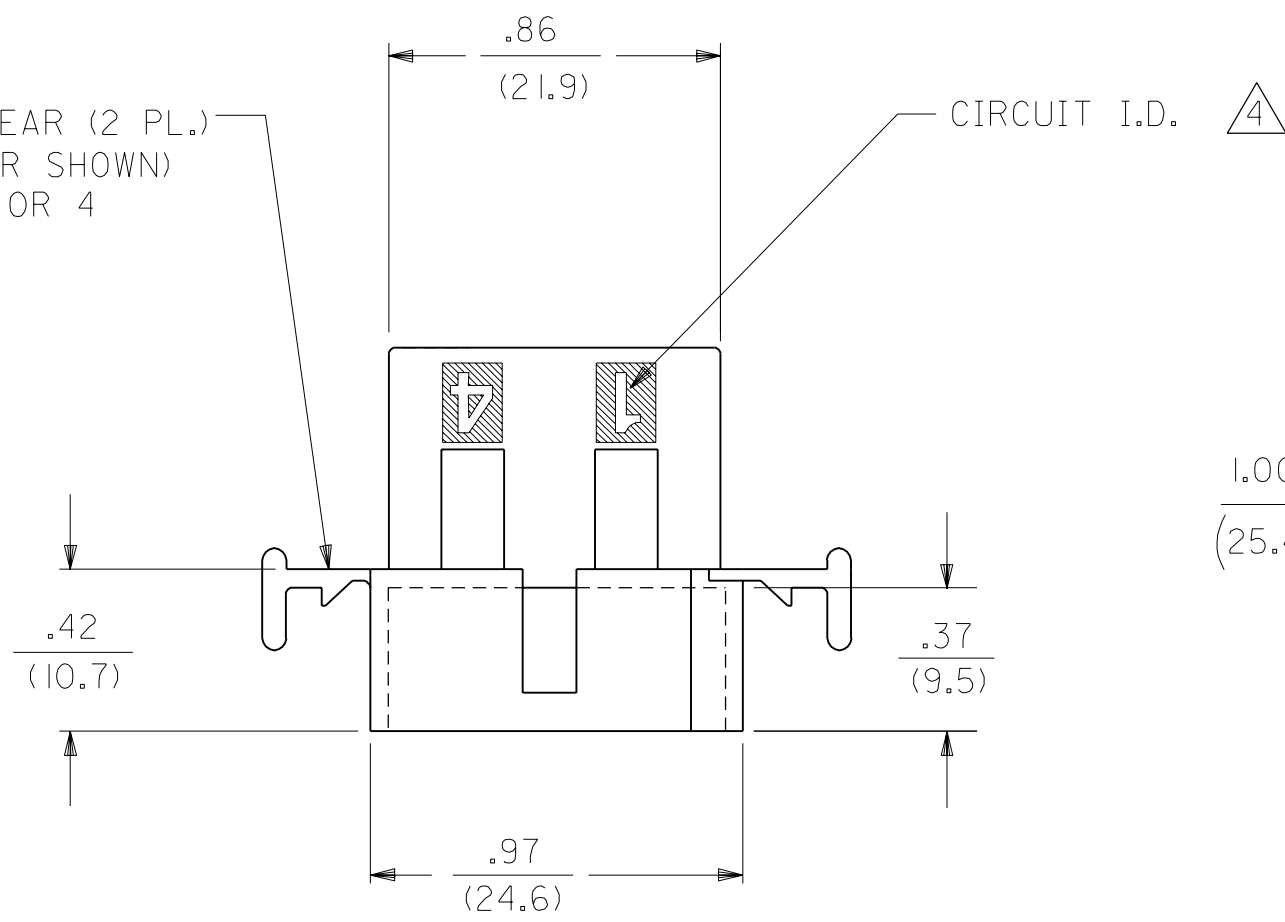


13 12 11 10 9 8 7 6 1490 4 3 2 1

PLUG



OPTIONAL MOUNTING EAR (2 PL.)
(STD. MOUNTING EAR SHOWN)
SEE DETAIL 3 OR 4



PLUG HOUSING

T	ADD -PIBU VERSION PER ECN #U3 1537 10-21-93 RW
S	REVISE PER ECR U1 1686 8/9/91 RW
RI	ADD EDP'S & REVISE SUFFIXES, ECR U10834 4/24/91 RW
R	REV. LENGTH TOL. ECN #U1 0685 3-22-91 RW
P	REV. & REDRAWN, ECR U8 1139 3-8-88 RW

T	3	T
T	2	T
T	1	T
MFG.	SH.	REV.
LTR.	REVISIONS	

DIMENSIONS SHOWN (METRIC) INCH
UNLESS OTHERWISE SPECIFIED TOLERANCES: ANGULAR $\pm 10^\circ$

	INCH	METRIC
3 PLACE	$\pm .010$	---
2 PLACE	$\pm .014$	± 0.25
1 PLACE	---	± 0.35

DRAFT WHERE APPLICABLE MUST REMAIN WITHIN DIMENSIONS

REVISIONS: $\nabla = 0$ $\blacktriangledown = 0$ REVISE ONLY ON CAD SYSTEM

TITLE: .093/(2.36) HOUSING, PLUG AND RECEPTACLE, 4 CKT., .198/(5.03) CTRS.

MOLEX INCORPORATED, LISLE, ILL. 60532 U.S.A.

PART NO. SD-1490-*

SEE CHART

DRWG. NO. 1 OF 3

DATE 3/9/88

DRWG. BY	GEP	CHK'D. BY	RW
APP'D. BY	RAS	SCALE	2 : 1

FILE NAME	SD1490X1 DGN	DIV.	CP	SIZE	C
-----------	--------------	------	----	------	---

THIS DRAWING CONTAINS INFORMATION THAT IS PROPRIETARY TO MOLEX INC. AND SHOULD NOT BE USED WITHOUT WRITTEN PERMISSION

13 12 11 10 9 8 7 6 5 4 3 2 1

PLUG	
PART NO.	ENG. NO.
03-09-2041	I490-P
03-09-2042	I490-PI
03-09-7041	I490-PBK
03-09-7042	I490-PIBK
PRELIMINARY	I490-P2
03-09-3042	I490-PIBU

RECEPTACLE	
PART NO.	ENG. NO.
03-09-1041	I490-R
03-09-1042	I490-R1
03-09-6041	I490-RBK
03-09-6042	I490-RIBK
03-09-1043	I490-R2
03-09-6043	I490-RBU
03-09-6045	I490-RGN

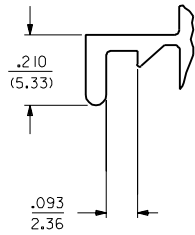
LEGEND:

I490-***-*

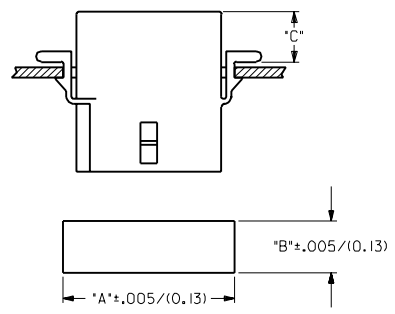
P = PLUG
R = RECEPTACLE

BLANK = WITH STANDARD EARS
1 = WITHOUT EARS
2 = WITH PREBENT EARS, PER DETAIL 4

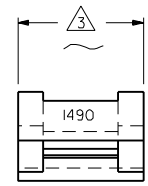
COLOR: BLANK=NATURAL COLOR
AM=AMBER BK=BLACK BU=BLUE
BN=BROWN CY=GRAY GN=GREEN
OR=ORANGE RD=RED YW=YELLOW
BLANK = MATERIAL CODE A



DETAIL 3
.093/(2.36) STANDARD MOUNTING EAR
(SCALE 4:1)



HOUSING	DIM. "A"	DIM. "B"	DIM. "C"
PLUG	1.131/(28.73)	.375/(9.52)	.36/(9.1)
RECEPTACLE	1.038/(26.36)	.312/(7.92)	.37/(9.4)



DETAIL 4
.093/(2.36) PREBENT MOUNTING EAR
(SCALE 4:1)

NOTES:

- MATERIAL CODES:
A = NYLON 6/6, 94V-2
- THIS PART COMPLIES WITH MOLEX PRODUCT SPEC. 02-09.
- FOR DIMENSION SEE SHEET 1 AND 2.
- CIRCUIT I.D. NUMBERS ON HOUSING APPEAR ON PARTS FROM TOOLS BUILT AFTER 8/7/91.

DIMENSIONS SHOWN METRIC (INCH)		UNLESS OTHERWISE SPECIFIED TOLERANCES ANGULAR ± .04° TO		▽ = 0 ▼ = 0		REVISE ONLY ON CAD SYSTEM	
INCH		METRIC		TITLE		.093/(2.36) HOUSINGS, PLUG AND RECEPTACLE, 4 CKT. ± .198/(5.03) CTRS.	
3 PLACE	± .010	---	---	MOLEX INCORPORATED	SHEET NO. 3	DATE	3/10/88
2 PLACE	± .014	± 0.25	---	LITSE,LLC.	60532	U.S.A.	
1 PLACE	---	± 0.35	---	PART NO. SD-1490-*			
DRAFT WHERE APPLICABLE MUST REMAIN WITHIN DIMENSIONS				SEE CHART			
DRW. BY	CEP	CHKD. BY	RW	DIV. CP			
APP'D. BY	RAS	SCALE	2 : 1	SIZE			
LTR.	REVISIONS	LTR.	REVISIONS	THIS DRAWING CONTAINS INFORMATION THAT IS PROPRIETARY TO MOLEX INC. AND SHOULD NOT BE USED WITHOUT WRITTEN PERMISSION.			