



Semiconductor Heater HG 040 Series

- *Dynamic heating up*
- *Temperature limiting*
- *Energy saving*
- *Self-regulating (PTC)*
- *Clip fixing*
- *Compact*

Compact heater for avoiding malfunctions caused by condensation and for use in enclosures where the temperature may not fall below a minimum value. The aluminium profile heater body has a chimney effect and helps to distribute heat evenly.



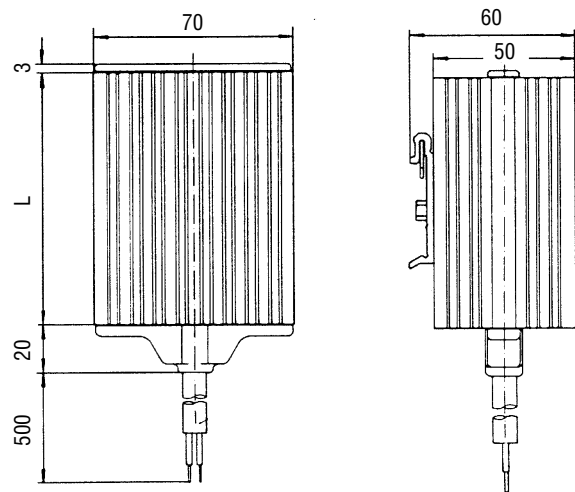
Technical Data

Operating voltage:	AC/DC 110-250V max. 265V¹⁾ other voltages on request (e.g. AC/DC 48V)
Heating element:	PTC resistor, self regulating and temperature limiting
Heater body:	extruded aluminium profile, anodised
Connection:	2 x 0,75mm ² x 500mm silicone cable
Mounting:	clip for 35mm DIN rail, EN 50022
Fitting position:	preferably vertical
Operating / Storage temp.:	-40 to +70°C
Prot. type / Prot. class:	IP44 / II (double insulated)
Approvals:	VDE
Accessories:	screw fixing, art. no. 09024.0-00

¹⁾Operating with voltages below AC 140V reduces heating performance by approx. 10%.

Art. No.	Heating capacity ²⁾	Inrush current max.	Length (L)	Weight (approx.)
04000.0-00	15W	1.5A	65mm	0.3kg
04001.0-00	30W	3.0A	65mm	0.3kg
04003.0-00	45W	3.5A	65mm	0.3kg
04005.0-00	60W	2.5A	140mm	0.4kg
04006.0-00	75W	4.0A	140mm	0.5kg
04007.0-00	100W	4.5A	140mm	0.5kg
04008.0-00	150W	9.0A	220mm	0.7kg

²⁾at 20°C ambient temperature



Operating voltage:	AC/DC 100-120V
Heating element:	PTC resistor, self regulating and temperature limiting
Heater body:	extruded aluminium profile, anodised
Connection:	3 x AWG18 x 500mm SJT sheathed cable
Mounting:	clip for 35mm DIN rail, EN 50022
Fitting position:	preferably vertical
Operating / Storage temp.:	-40 to +70°C (-40 to +158°F)
Prot. type / Prot. class:	IP44 / II (double insulated)
Approvals:	UL File E150057
Accessories:	screw fixing, art. no. 09024.0-00

Art. No.	Heating capacity ²⁾	Inrush current max.	Length (L)	Weight (approx.)
04000.9-00	15W	1.0A	65mm	0.3kg
04001.9-00	30W	1.0A	65mm	0.3kg
04004.9-00	50W	2.0A	140mm	0.5kg
04007.9-00	80W	2.5A	220mm	0.7kg
04009.9-00	100W	4.5A	220mm	0.7kg

²⁾at 20°C (68°F) ambient temperature

RS 159-2049
RS 224-492
RS 224-509

RS 224-537
RS 224-543