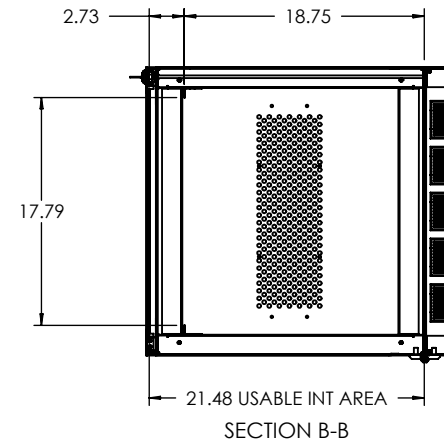
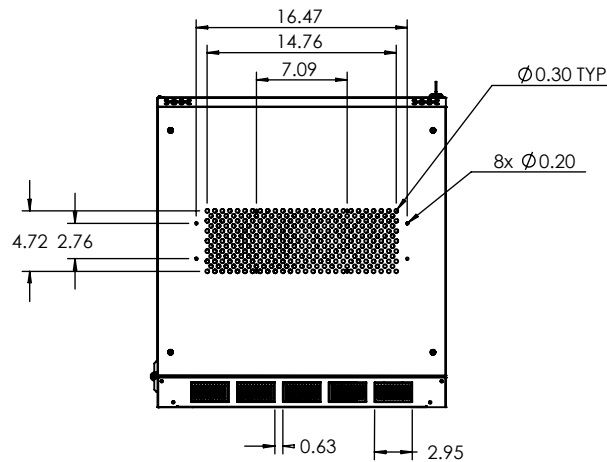
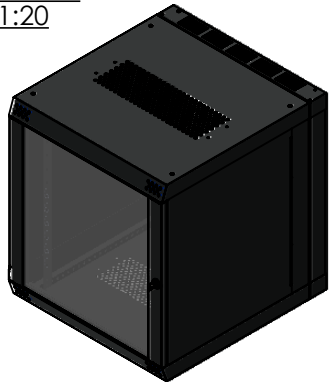


ISO VIEW
1:20



CAMDENBOSS
ELECTRONICS & ENCLOSURES
JAMES CARTER RD, MILDENHALL, SUFFOLK. IP28 7DE
TEL: 01638 716101 FAX: 01638 716554
EMAIL: Sales@CamdenBoss.com
WEB: www.CamdenBoss.com

UNLESS OTHERWISE SPECIFIED:
DIMENSIONS ARE IN INCHES
GENERAL TOLERANCES +/- 0.1
FINISH: POWDER COATED ANTHRACITE
MATERIAL: MILD STEEL

DO NOT SCALE DRAWING

REVISION: ○

TITLE:

DRAWING FOR WX WALL MOUNTED HINGED RACK

DWG NO.

CBWX12002

A4

	NAME	SIGNED	DATE
DRAWN	IAN PAGANO	I.P.	27/03/14
CHKD	-	-	-

PROJECTION:

SCALE: 1:15

SHEET 1 OF 1