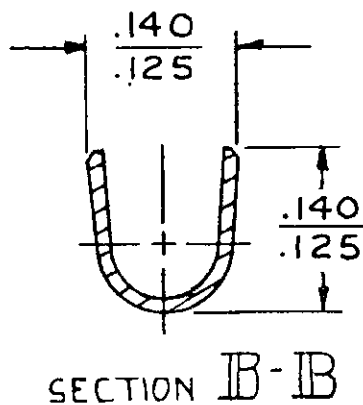
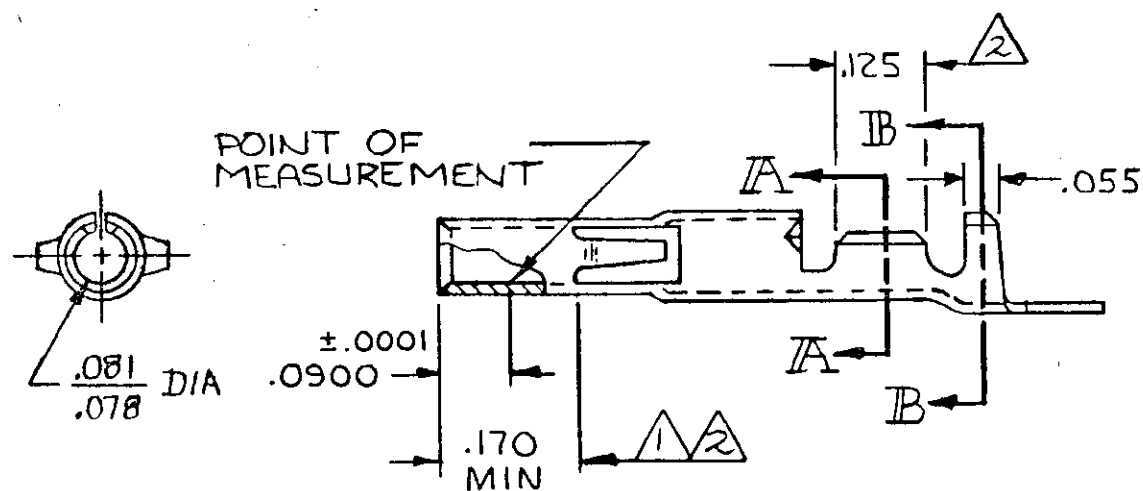
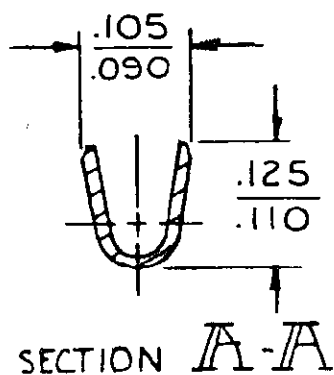
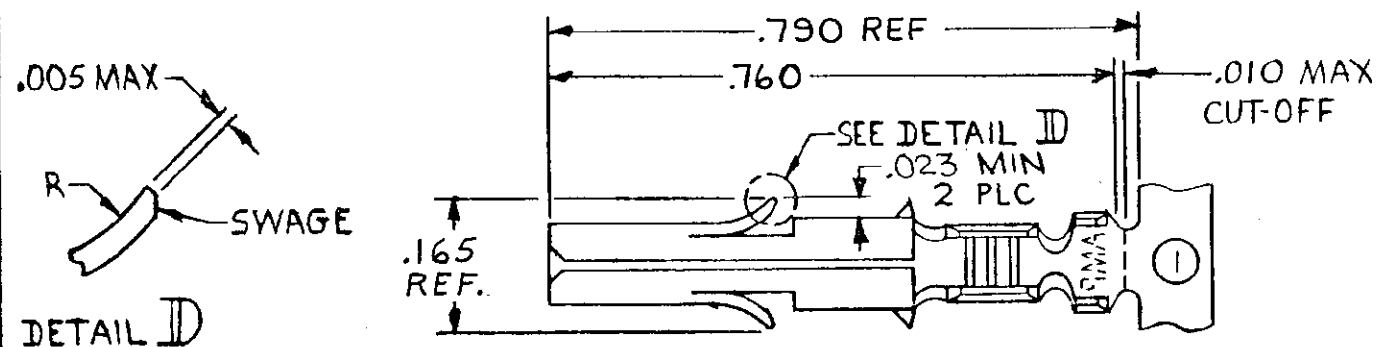


THIS DRAWING IS UNPUBLISHED. RELEASED FOR PUBLICATION MAY 26, 1981

© COPYRIGHT 1973 BY AMP INCORPORATED, HARRISBURG, PA. ALL INTERNATIONAL RIGHTS RESERVED. AMP PRODUCTS MAY BE COVERED BY U.S. AND FOREIGN PATENTS AND/OR PATENTS PENDING.

1 LOC CM DIST 53



		REVISIONS				
P	F	ZONE	LTR	DESCRIPTION	DATE	APPROVED
✓	✓		S	REDRAWN W/O CHANGE M-6457	6-8-81	MSF/S.H.
✓	✓		T	ADDED .090, .180 DIMS, PT. OF MEAS., M-7351	5/12/83	TW/DH
✓			U	REVISED AG 57	10/21/83	S. J. [Signature]
✓			U <sub>1</sub>	RESTORED	4/3/85	BK0/RS
✓			V	REV PER ECN CM 116	8-6-85	CM/RS
			W	REV PER EC 0730-3607-91	1-6-94	RV RS

- ① .000030 THICK GOLD OVER NICKEL ON INSIDE OF RECEPTACLE; REMAINDER OF CONTACT IS NICKEL PLATED.
- ② .000030 THICK GOLD OVER NICKEL ON INSIDE OF RECEPTACLE AND WIRE BARREL; REMAINDER OF CONTACT IS NICKEL PLATED.

LOOSE PIECE (REF)	FINISH	MATERIAL	PART NO
350689-7	GOLD ①	.010 BRASS	350570-7
—		.010 PH. BRZ	350570-6
350689-3	PRE-TIN	.010 PH. BRZ	350570-3
350689-2	GOLD ②	.010 BRASS	350570-2
350689-1	PRE-TIN		350570-1

UNLESS OTHERWISE SPECIFIED DIMENSIONS ARE IN INCHES. TOLERANCES ON: DECIMALS ±.010 ANGLES ±	CONTRACT NO		AMP INCORPORATED Harrisburg, Pa.	
	DR M. FEHER 5-26-81			
WIRE RANGE 24-18 AWG	CHK J.S. Heida 6/9/81		NAME SOCKET, UNIVERSAL MATE-N-LOK	
	APPD R. P. [Signature] 6-10-81		SIZE B FSCM NO 00779 DRAWING NO 350570	
INSULATION RANGE .100 DIA MAX	DSGN APPD		SCALE 4-1 SHEET #	
	OTHER APPD			