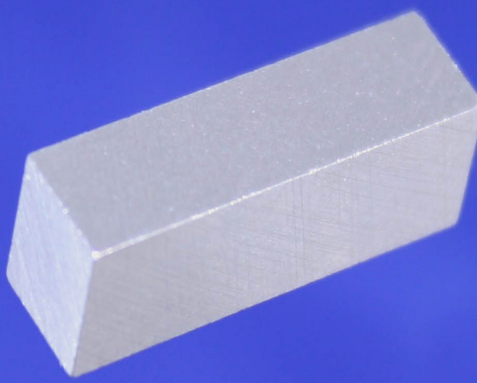
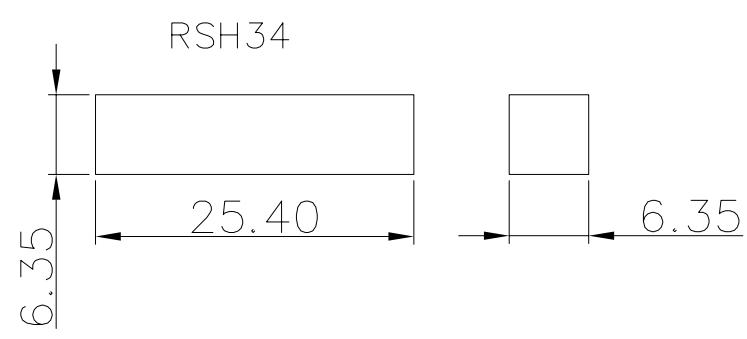


PICTURE	DIMENSIONS
	
✓ RoHS Compliant	Drawings not to scale All dimensions in mm nominal

SPECIFICATION		
Material	Alcomax	
Size	Length mm	25.4
	Width mm	6.35
	Height mm	6.35
Gauss strength / surface (typical)	800	
Temperature	Max Celsius	550°

Applications Include	Options
<ul style="list-style-type: none"> Access control. Appliance switching. Control panel. Proximity switching. 	<ul style="list-style-type: none"> Neodymium grades up to 52 available. Cylindrical, ring, rod and hosued magnets available.

Did you know we also sell?



Float Switches



Pressure Switches



Magnets



Proximity Switches



Reed Switches



Reed Relays



Solid State Relays

Rev. No.	Revision Note	Date	Signature
1	Datasheet	26-04-16	ML



As part of the company policy of continued product improvement, specifications may change without notice. Our sales office will be pleased to help you with the latest information on this product range and the details of our full design and manufacturing service. All products are supplied to our standard conditions of sale unless otherwise agreed in writing.

Phone : +44 (0)1255 862236 www.comus-intl.com Fax: +44 (0)1255 862014