

## PARATHOM PRO MR16 20 36° ADV 5 W/927 GU5.3

PARATHOM PRO MR16 advanced | Dimmable low-voltage LED reflector lamps MR16 with retrofit pin base



### Areas of application

- As a downlight for marking walkways, doors, stairs, etc.
- Exhibitions, department stores
- Outdoor use in outdoor luminaires only (minimum IP65)
- Directional light sources
- Museums
- Hospitality
- Shops

### Product benefits

- Very low energy consumption
- Extremely long life
- Robust against vibrations
- No UV and near-IR radiation in the light beam
- Efficient generation of white light

### Product features

- Professional LED lamp
- Dimmable (with many common dimmers, see also [www.osram.com/dim](http://www.osram.com/dim))
- Base: GU5.3
- Lifetime: up to 50,000 h
- Mercury-free lamps
- High color consistency



## Technical data

### Electrical data

|  |           |
|--|-----------|
| Rated wattage                          | 5.00 W    |
| Nominal wattage                        | 5.00 W    |
| Nominal voltage                        | 12.0 V    |
| Claimed equiv. conventional lamp power | 20 W      |
| Rated luminous flux                    | 190 lm    |
| Operating frequency                    | 50..60 Hz |
| Power factor $\lambda$                 | 0.91      |

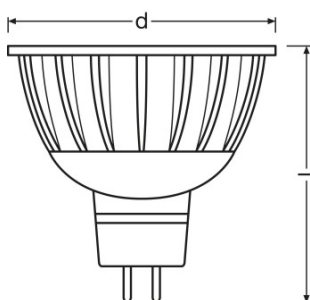
### Photometrical data

|                                      |                           |
|--------------------------------------|---------------------------|
| Luminous intensity                   | 460 cd                    |
| Nominal luminous flux                | 190 lm                    |
| Color temperature                    | 2700 K                    |
| Color rendering index Ra             | 90                        |
| Light color as per EN 12464-1        | Warm White                |
| Standard deviation of color matching | $\leq 3$ sdc <sub>m</sub> |
| Nominal useful luminous flux 90°     | 210 lm                    |
| Rated useful luminous flux 90°       | 210 lm                    |
| Rated peak intensity                 | 530 cd                    |

### Light technical data

|                                    |          |
|------------------------------------|----------|
| Beam angle                         | 36.00 °  |
| Warm-up time (60 %)                | < 0.20 s |
| Starting time                      | < 0.2 s  |
| Nominal beam angle                 | 36.00 °  |
| Rated beam angle (half peak value) | 36.00 °  |

## Dimensions & weight



|                         |         |
|-------------------------|---------|
| <b>Overall length</b>   | 46.0 mm |
| <b>Diameter</b>         | 50.0 mm |
| <b>Outer bulb</b>       | MR51    |
| <b>Length</b>           | 46.0 mm |
| <b>Maximum diameter</b> | 50.0 mm |

## Lifespan

|  |         |
|--|---------|
| <b>Nominal lamp life time</b>                  | 50000 h |
| <b>Rated lamp life time</b>                    | 50000 h |
| <b>Number of switching cycles</b>              | 1000000 |
| <b>Lumen main.fact.at end of nom.life time</b> | 0.70    |

## Additional product data

|  |  |
|--|--|
| <b>Base (standard designation)</b>       | GU5.3  |
| <b>Mercury-free</b>                      | Yes  |
| <b>Appropriate disposal acc. to WEEE</b> | Yes  |
| <b>Product remark</b>                    | All technical parameters apply to the entire lamp/Due to the complex production process for light-emitting diodes, the typical values shown for the technical LED parameters are purely statistical values that do not necessarily match the actual technical parameters of each individual product, which can vary from the typical value/LED lamps contain several electronic components. Under unfavourable conditions these can lead to acoustic noise. In case of resonance even low noise can cause audible effect. Possible factors influencing this are the installation, the design of the lamp holder and the luminaire (acoustic resonance effect) as well as the dimmer or the transformer (harmonics or electronic resonance) |

# Product datasheet

## Capabilities

|                 |                   |
|-----------------|-------------------|
| <b>Dimmable</b> | Yes <sup>1)</sup> |
|-----------------|-------------------|

<sup>1)</sup> With many common dimmers, see also [www.osram.com/dim](http://www.osram.com/dim)

## Certificates & standards

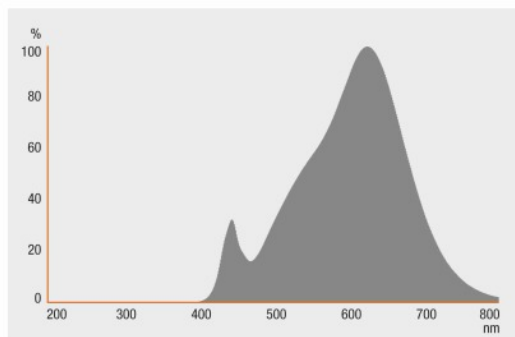
|                                |             |
|--------------------------------|-------------|
| <b>Energy efficiency class</b> | A           |
| <b>Energy consumption</b>      | 6 kWh/1000h |

## Country specific categorizations

|                        |                      |
|------------------------|----------------------|
| <b>ILCOS</b>           | DRR-5-12-GU5,3-50/36 |
| <b>Order reference</b> | PPMR162036 5W/9      |

## Light Distribution

---



---

## Spectral power distribution

## Product datasheet



---

Guarantee

---

### Equipment / Accessories

- Equipped with high-power LEDs
- Suitable for many commercially available electronic or conventional transformers

---

### Logistical Data

| Product code  | Product description                              | Packaging unit (Pieces/Unit) | Dimensions (length x width x height) | Volume               | Gross weight |
|---------------|--|------------------------------|--------------------------------------|----------------------|--------------|
| 4052899904699 | PARATHOM PRO<br>MR16 20 36° ADV 5<br>W/927 GU5.3 | Shipping carton box<br>10    | 271 mm x 114 mm x<br>71 mm           | 2.19 dm <sup>3</sup> | 567.00 g     |

The mentioned product code describes the smallest quantity unit which can be ordered. One shipping unit can contain one or more single products. When placing an order, for the quantity please enter single or multiples of a shipping unit.

---

### References / Links

For dimming conformity see

- ▶ [www.osram.com/DIM](http://www.osram.com/DIM)

For further products and actual information concerning LED lamps see

- ▶ [www.osram.com/ledlamps](http://www.osram.com/ledlamps)

For Guarantee see

- ▶ [www.osram.com/guarantee](http://www.osram.com/guarantee)

Further information see

- ▶ [www.osram.com/low-voltage-ledlamps](http://www.osram.com/low-voltage-ledlamps)

---

### Disclaimer

Subject to change without notice. Errors and omission excepted. Always make sure to use the most recent release.