

**Back** ○ Flat Cable Connectors SEK

○ *har-mik®*

○ D-Sub

○ InduCom

---

● **Applications**

---

## Product details

---

**09 67 525 6758**

**D-Sub IP 67 PCB connector**

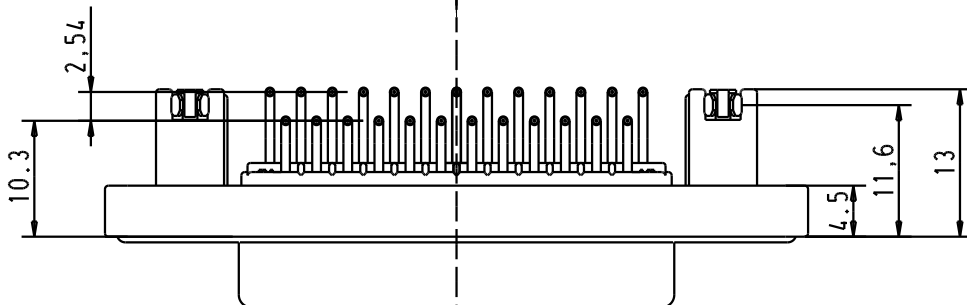
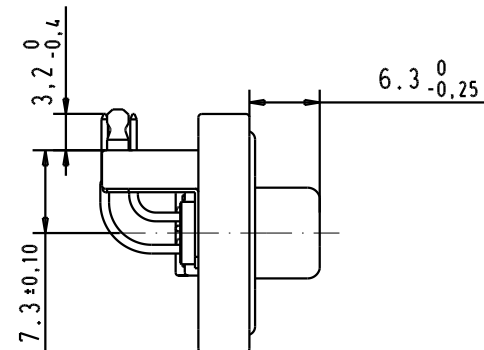
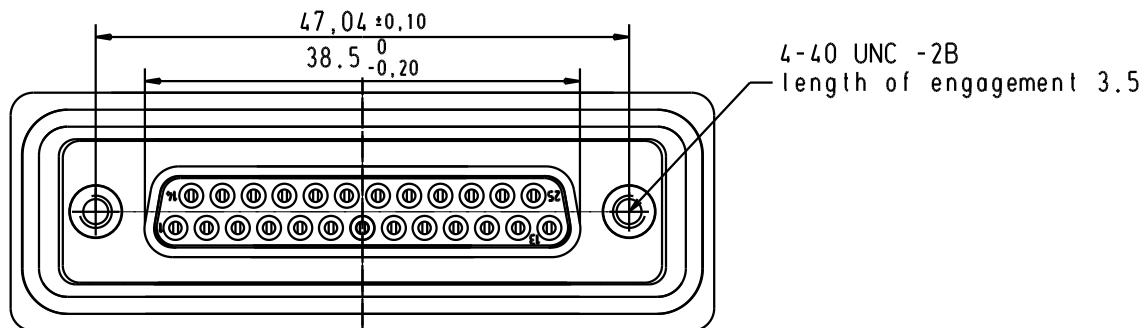
Gender	Female connector, right angled
Protection level	IP 67
Termination	turned solder pins
Number of contacts	25
Shell	tinned metal shell
Board fixing	with bracket and board lock
Flange	Rear blind nut UNC 4-40
Performance level	S4 (0,76 •m Au min)
Insulation material	Thermoplastic, glass-fibre filled, UL 94-V0
Mounting frame	rear plastic mounting plate
Frame material	Thermoplastic, glass-fibre filled, UL 94-V0
Sealing ring	Silicone, glued on frame
RoHS compliant	Yes

**Inquiry**

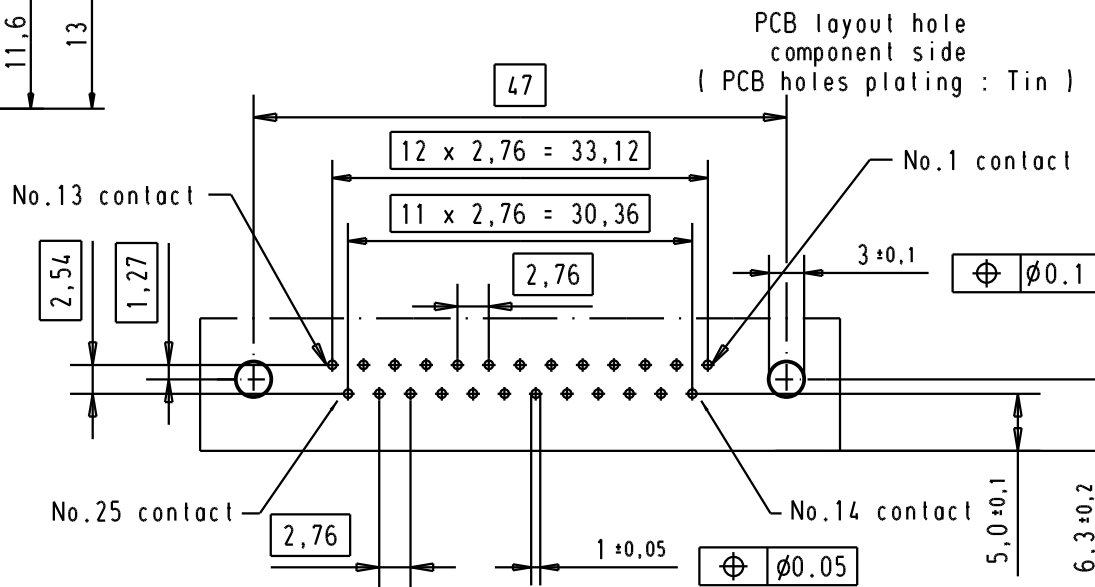
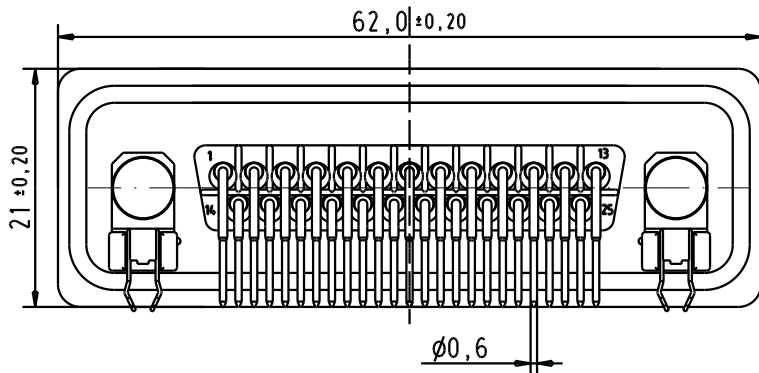
### Available Downloads

Title	Format
-------	--------

Mating face according to : MIL-C-24308 / DIN 41652 / CECC 75.01-802



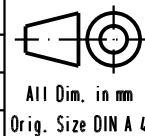
1) Protection standard IP 67 according to IEC 529 / DIN 40050.



PCB layout hole component side (PCB holes plating : Tin)

09 67 525 6758 Au plating 0,76 µm mini

	Dat.	Name
Detail.	20/01/04	S.H.
Insp.		
Stand.		



D-SUB IP67 female 25 Poles angled solder pin with bracket and clip for 1.6mm PCB 4-40 UNC nut

Maßstab/Scale

31587	20/01/04	S.H.
Mod.	Dat.	Name

HARTING ELEKTRONIK F-95972 Paris



TB 09 67 525 6758

Blatt/Page

Part Number

Performance Level

Sub.