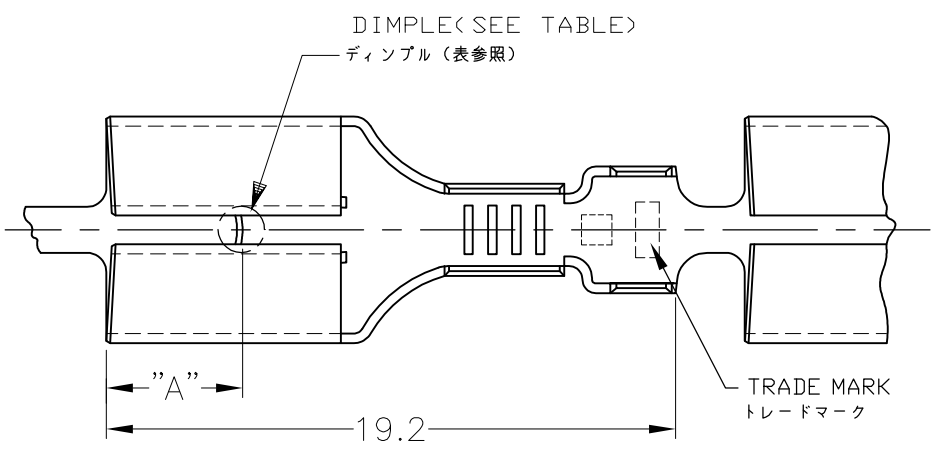
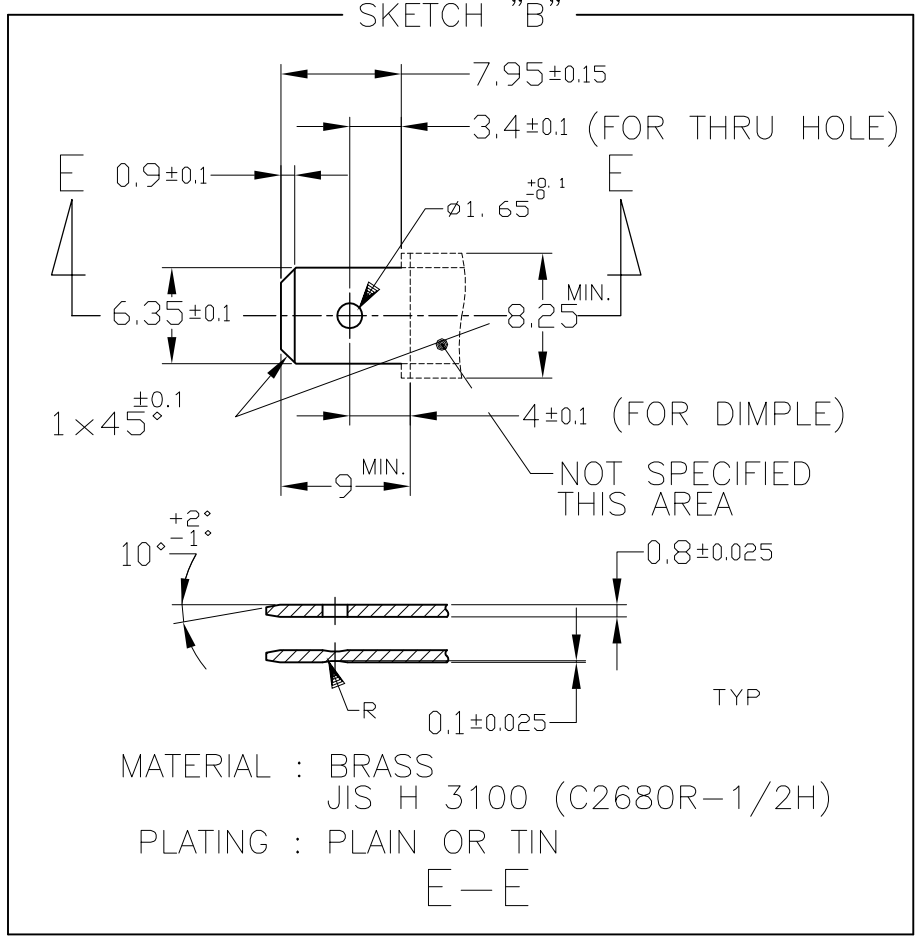
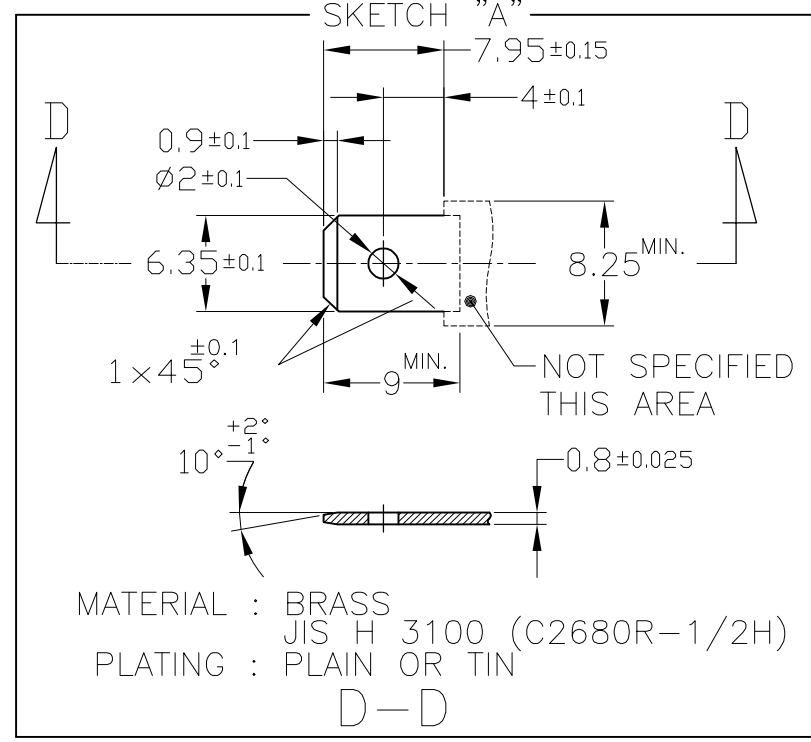


THIS DRAWING IS UNPUBLISHED. RELEASED FOR PUBLICATION  
 © COPYRIGHT 2004 By - ALL RIGHTS RESERVED.

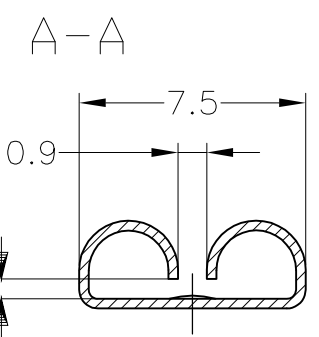
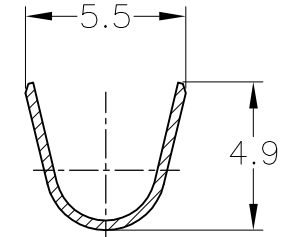
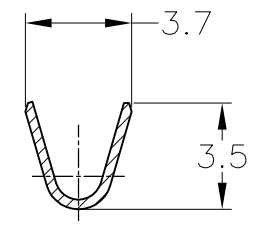
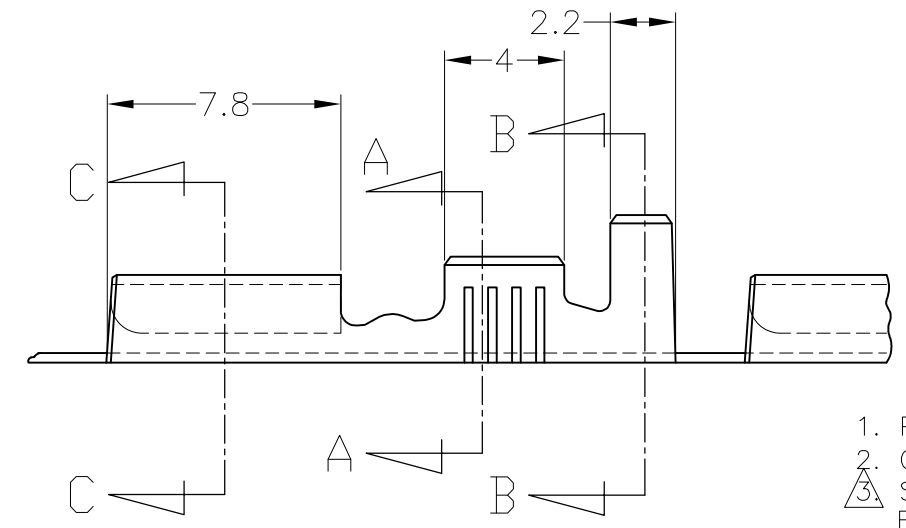
LOC	DIST	REVISIONS		
J	-	P	LTR	DESCRIPTION
		U1		REVISED PER ECO-11-005030
				DATE: 11MAR11
				DWN: RK
				APVD: HMR



推奨タブ図 RECOMMENDED TAB DIMENSIONS



1. PRODUCT SPEC : 108-5153, 108-5169
2. CRIMP SPEC : 114-5052
3. STRESS RELIEVING FINISH IS SUBJECT TO CHANGE BY THE TYPE OF STRESS RELIVING PROCESS  
INERT GAS FURNACE - - - -MATTE  
ATOMOSPHERIC FURNACE FOLLOWED BY ACID PICKLE - - - -BRIGHT
4. ELIMINATION STRESS RELIVING PROCESS
5. PRODUCT SPECIFICATION: 108-5147
6. QUALIFICATION TEST REPORT: 501-5050



この寸法は嵌合力によって管理する。  
THIS DIMENSION IS CONTROLLED WITH MATING FORCE.

OBSELETE	AMP AUSTRALIAN PRODUCT アンプ オーストラリア製	170030-1 OR EQUIVALENT TO 170030	W/O DIMPLE	△4	BRASS	#	#	6-170032-2
		170030-3 OR EQUIVALENT TO 170030	W/O DIMPLE	TIN PLATING 錫メッキ	ZKLF-5 #4	#	#	170032-6
		170256-3 OR EQUIVALENT TO 170256	W/O DIMPLE	TIN PLATING 錫メッキ	BRASS	#	179461-5	170032-5
		SKETCH, "A"	WITH DIMPLE	TIN PLATING 錫メッキ	BRASS	4.5	#	170032-4
OBSELETE		SKETCH "A" OR "B"	WITH DIMPLE	#	BRASS	3.8	#	170032-3
		170030-1 OR EQUIVALENT TO 170030	W/O DIMPLE	#	BRASS	#	#	170032-2
		SKETCH, "A"	WITH DIMPLE	#	BRASS	4.5	#	170032-1
		MATING TAB	DIMPLE	FINISH	MATERIAL	"A"	LOOSE PIECE NUMBER	PART NUMBER

1. 製品規格 : 108-5153, 108-5169
2. 取付適用規格 : 114-5052
3. ストレス除去処理  
処理方法により外観が変わります。  
不活性ガス加熱方式 - - - 無光沢  
大気加熱方式 - - - 光沢
4. ストレス除去処理をしない。
5. 製品規格 : 108-5147
6. 認定試験報告書 : 501-5050

THIS DRAWING IS A CONTROLLED DOCUMENT.

DIMENSIONS: 単位: 概 mm	TOLERANCES UNLESS OTHERWISE SPECIFIED: 一般公差 ±0.4	DWN A.YAMAGUCHI 23JUN04	TE Connectivity <b>250 SERIES RECEPTACLE WITHOUT LATCH</b>		
		CHK K.BETSUI 23JUN04			
		APVD K.BETSUI 23JUN04			
		NAME 名称			
PRODUCT SPEC 製品規格	SEE NOTE	SIZE	CAGE CODE	DRAWING NO 番号	RESTRICTED TO
APPLICATION SPEC 取付適用規格		WEIGHT	A3	00779	C-170032
WIRE RANGE 0.5-2.27mm <sup>2</sup> (AWG20-14)	MATERIAL 材料 0.32 THK	FINISH 仕上	CUSTOMER DRAWING		SCALE 尺度 4:1
INSULATION DIA. 2.16~3.43mmφ	SEE TABLE △3		SHEET 1 OF 1	REV U1	