

5-104652-2 ✓ ACTIVE

AMPMODU | AMPMODU 50/50 Grid

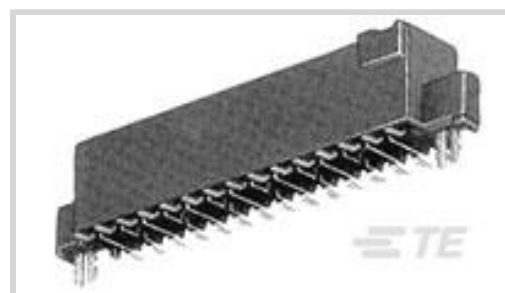
TE Internal #: 5-104652-2

PCB Mount Receptacle, Vertical, Board-to-Board, 20 Position, 1.27 mm [.05 in] Centerline, Gold (Au), Surface Mount, Signal, Black, AMPMODU 50/50 Grid

[View on TE.com >](#)



Connectors > PCB Connectors > PCB Headers & Receptacles



PCB Connector Type: **PCB Mount Receptacle**

PCB Mount Orientation: **Vertical**

Connector System: **Board-to-Board**

Number of Positions: **20**

Number of Rows: **2**

## Features

### Product Type Features

PCB Connector Type	PCB Mount Receptacle
Connector System	Board-to-Board
Connector & Contact Terminates To	Printed Circuit Board
Connector Product Type	Connector Assembly

### Configuration Features

Board-to-Board Configuration	Parallel
PCB Mount Orientation	Vertical
Number of Positions	20
Number of Rows	2

### Electrical Characteristics

Operating Voltage	30 VAC
Insulation Resistance	5000 MΩ

### Body Features

PCB Retention Feature Material	Copper Alloy
PCB Retention Feature Plating Material	Tin over Nickel
Primary Product Color	Black

### Contact Features

Mating Pin Diameter	.46 mm[.018 in]
---------------------	-----------------



Contact Mating Area Plating Material Thickness	.762 μm[30 μin]
--	-----------------

	150 μin
--	---------

Contact Base Material	Copper Alloy
-----------------------	--------------

PCB Contact Termination Area Plating Material	Tin
---	-----

Contact Mating Area Plating Material	Gold (Au)
--------------------------------------	-----------

Contact Type	Socket
--------------	--------

Contact Current Rating (Max)	.5 A
------------------------------	------

### Termination Features

Rectangular Termination Post & Tail Width	.36 mm[.014 in]
---	-----------------

Rectangular Termination Post & Tail Thickness	.08 mm[.003 in]
---	-----------------

Termination Method to PCB	Surface Mount
---------------------------	---------------

### Mechanical Attachment

Mating Alignment Type	Polarizing Tab
-----------------------	----------------

PCB Mount Retention Type	Hold-Down Post
--------------------------	----------------

PCB Mount Retention	With
---------------------	------

PCB Mount Alignment	Without
---------------------	---------

Connector Mounting Type	Board Mount
-------------------------	-------------

Mating Alignment	With
------------------	------

### Housing Features

Housing Material	LCP - GF (Liquid Crystal Polymer)
------------------	-----------------------------------

Centerline (Pitch)	1.27 mm[.05 in]
--------------------	-----------------

### Dimensions

Row-to-Row Spacing	1.27 mm[.05 in]
--------------------	-----------------

PCB Thickness (Recommended)	1.57 mm[.062 in]
-----------------------------	------------------

Connector Height	4.75 mm[.187 in]
------------------	------------------

### Usage Conditions

Operating Temperature Range	-65 – 105 °C[-85 – 221 °F]
-----------------------------	----------------------------

### Operation/Application

Solder Process Feature	Board Standoff
------------------------	----------------

Circuit Application	Signal
---------------------	--------

### Industry Standards

Compatible With Approved Standards Products	CSA LR7189, UL E28476
---	-----------------------



UL Flammability Rating

UL 94V-0

**Packaging Features**

Packaging Quantity

31

Packaging Method

Box, Tube

**Product Compliance**

[For compliance documentation, visit the product page on TE.com>](#)

EU RoHS Directive 2011/65/EU

Compliant

EU ELV Directive 2000/53/EC

Compliant

China RoHS 2 Directive MIIT Order No 32, 2016

No Restricted Materials Above Threshold

EU REACH Regulation (EC) No. 1907/2006

Current ECHA Candidate List: JAN 2025 (247)  
 Candidate List Declared Against: JAN 2025 (247)  
 Does not contain REACH SVHC

Halogen Content

Low Halogen - Br, Cl, F, I < 900 ppm per homogenous material. Also BFR/CFR/PVC Free

Solder Process Capability

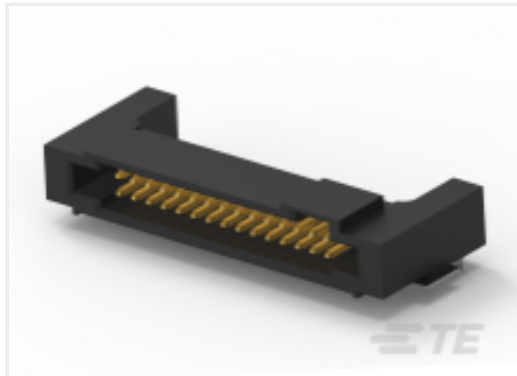
Reflow solder capable to 260°C

Product Compliance Disclaimer

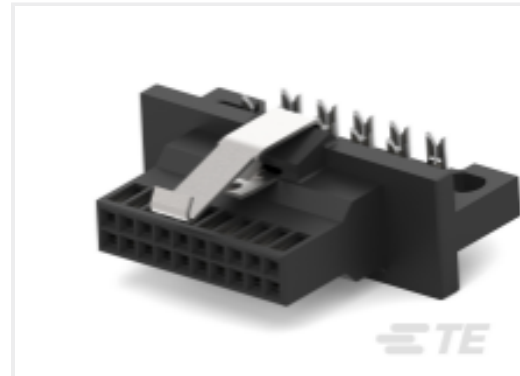
This information is provided based on reasonable inquiry of our suppliers and represents our current actual knowledge based on the information they provided. This information is subject to change. The part numbers that TE has identified as EU RoHS compliant have a maximum concentration of 0.1% by weight in homogenous materials for lead, hexavalent chromium, mercury, PBB, PBDE, DBP, BBP, DEHP, DIBP, and 0.01% for cadmium, or qualify for an exemption to these limits as defined in the Annexes of Directive 2011/65/EU (RoHS2). Finished electrical and electronic equipment products will be CE marked as required by Directive 2011/65/EU. Components may not be CE marked. Additionally, the part numbers that TE has identified as EU ELV compliant have a maximum concentration of 0.1% by weight in homogenous materials for lead, hexavalent chromium, and mercury, and 0.01% for cadmium, or qualify for an exemption to these limits as defined in the Annexes of Directive 2000/53/EC (ELV). Regarding the REACH Regulation, the information TE provides on SVHC in articles for this part number is based on the latest European Chemicals Agency (ECHA) 'Guidance on requirements for substances in articles' posted at this URL: <https://echa.europa.eu/guidance-documents/guidance-on-reach>

**Compatible Parts**

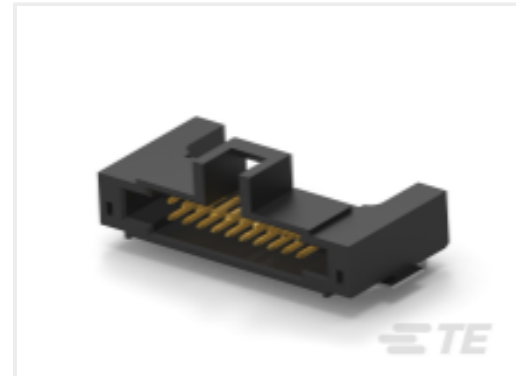




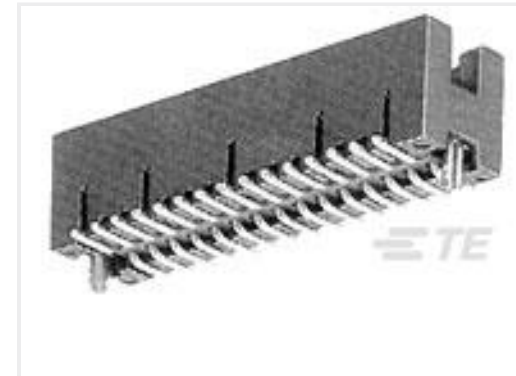
TE Part # 5-104894-2  
20 50/50 GRID RA HDR LF



TE Part # 5-104892-2  
20 50/50 GRID RCPT W/LTCH LF



TE Part # 5-104895-2  
20 50/50 GRID RA HDR W/LTCH LF

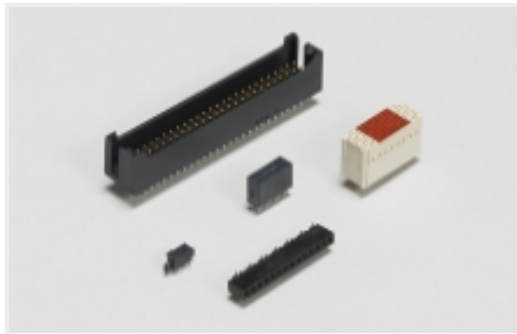


TE Part # 5-147381-2  
20 50/50 HDR SMT.250 W/HD SN



TE Part # 5-104693-2  
20 50/50 HDR DRST SFMNT.390 SN

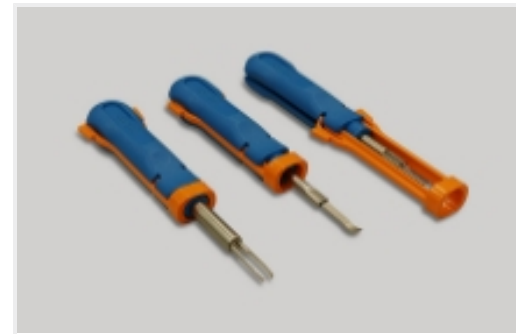
## Also in the Series | AMPMODU 50/50 Grid



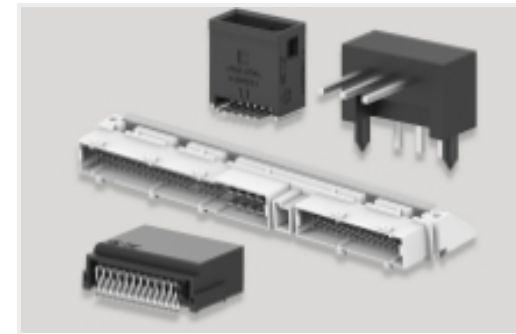
Board-to-Board Headers & Receptacles(193)



Connector Caps & Covers(7)



Insertion & Extraction Tools(1)



PCB Headers & Receptacles(193)



Rectangular Power Connectors(12)



Ribbon Cable Connectors(21)

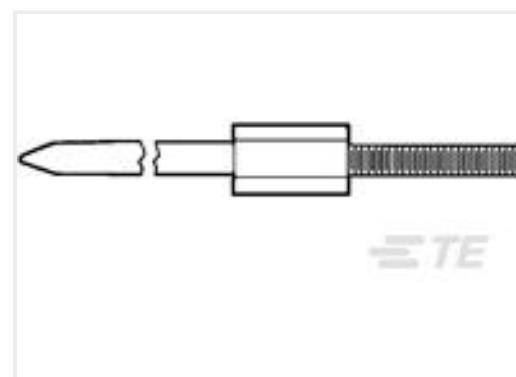
## Customers Also Bought



TE Part #5-1437514-9  
8134-HC-12P2=HOLTITE CONTACT 3



TE Part #5-1437648-7  
4PCV-02-006=4PCV ASSEMBLY



TE Part #533082-4  
HDI KEYING POWER PIN PLTD



TE Part #224408-E  
STVC 96 F ABC VVW 7-00 EE 5,5 \* 247 E007





TE Part #6609032-4  
2VR3=F7197 S0



TE Part #5-5177986-1  
0.8FH,P05H.5,040,30/Sn,TR,SC



TE Part #5650918-5  
ASSY,PIN,EUROCARD,TYPE R/2,LEA



TE Part #106276-4  
32P.IEC-C/2 M.CONN.



TE Part #8-215079-4  
MICRO-MATCH FOB.14P



TE Part #364899-E  
STVE 48 M.ACE GGG 4-00 1006 \* 8392  
247 E

## Documents

### Product Drawings

[20 50/50 GRID DRST SFMNT RCPT](#)

English

### CAD Files

[3D PDF](#)

3D

Customer View Model

[ENG\\_CVM\\_CVM\\_5-104652-2\\_L.2d\\_dxf.zip](#)

English

Customer View Model

[ENG\\_CVM\\_CVM\\_5-104652-2\\_L.3d\\_igs.zip](#)

English

Customer View Model

[ENG\\_CVM\\_CVM\\_5-104652-2\\_L.3d\\_stp.zip](#)

English

By downloading the CAD file I accept and agree to the [Terms and Conditions](#) of use.

### Datasheets & Catalog Pages

[AMPMODU\\_INTERCONNECTION\\_SYSTEM\\_SECTION1AND2](#)

English

[Ribbon Cable Interconnect Solutions](#)

English

[Fine Pitch Stacking Connectors - 1.27mm AMPMODU 50/50 Grid Connectors](#)

English

[Stacking Connectors Quick Reference Guide \(English\)](#)

English



---

**Product Specifications**

**Application Specification**

English

---

**Agency Approvals**

**UL Report**

English