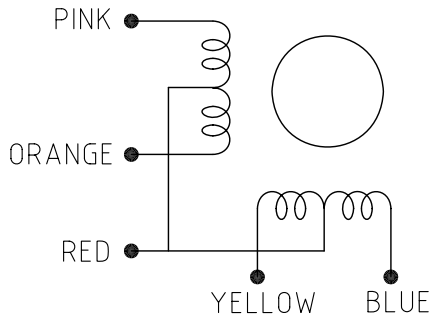
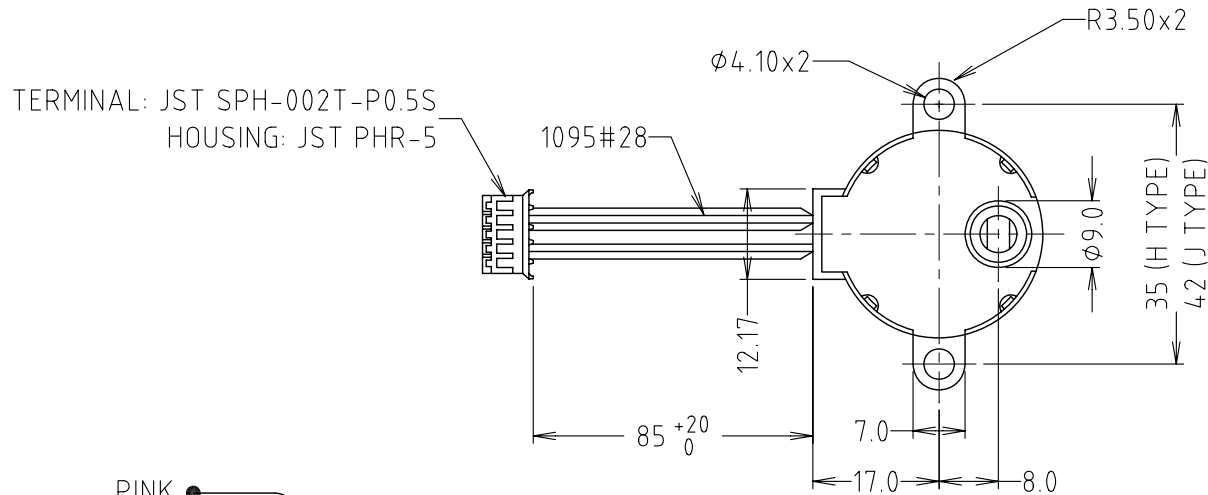


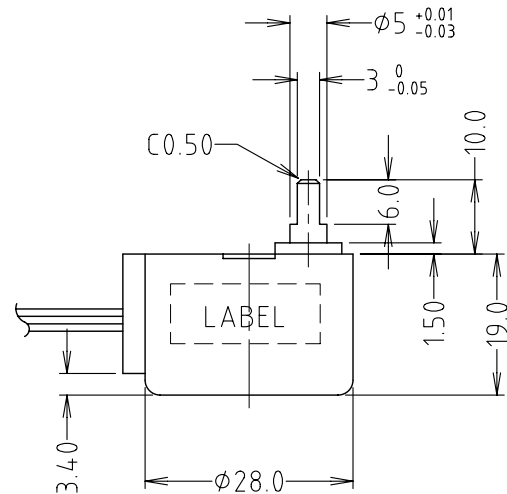
ISS.	AMEND	DATE
1	1st DRAWN	25/7/00
2	ERROR CORRECT	3/8/00
3	LEAD WAS 85	14/11/00
4	COLOUR SEQ CHNG	17/10/01



1-2 PHASE EXCITATION. UNIPOLAR DRIVE

WIRE SEQUENCE	WIRE COLOUR	1	2	3	4	5	6	7	8
1	RED	+	+	+	+	+	+	+	+
2	ORANGE	-	-						
3	YELLOW			-	-	-	-	-	-
4	PINK					-	-	-	-
5	BLUE	-	-	-					

OUTPUT SHAFT ROTATION CCW



VARIANTS 12V 4Ø

MODEL No.	IMPEDANCE Ω	PULL IN TORQUE gm-cm
FM7301A	200	500
FM7301B	250	450
FM7301C	280	380
FM7301D	300	350
FM7301E	380	300
FM7301F	550	280

ADD SUFFIX H OR J TO MODEL No.

COMMON DATA:

STEP ANGLE: 5.625/11.25

GEAR RATIO: 1:64

MIN DETENT TORQUE: 310gm-cm

MAX STARTING PULSE RATE: 700pps

MAX SLEWING PULSE RATE: 1400pps

TEMP RISE: 50° MAX.

NOISE: 34dB MAX.

CURRENT: 12V. 32mA OR 5V. 71mA

Tolerance

NO DEC. PLACE ± 0.30

1 DEC. PLACE ± 0.20

2 DEC. PLACE ± 0.10

DIA. HOLES ± 0.10

ANGLES ± 1/2°

UNLESS OTHERWISE STATED



WHERE USED F.R.

DIMENSIONS IN MILLIMETERS UNLESS OTHERWISE STATED. WORK TO DIMENSIONS. DO NOT SCALE DRAWING. 3rd ANGLE PROJECTION. REMOVE BURRS. IF IN DOUBT ASK.

SCALE N.T.S.

Cliff Electronic Components Limited
76 Holmethorpe Ave., Holmethorpe Ind. Estate,
Redhill, Surrey. RH1 2PF. England.
Tel: 01737-771375 Fax: 01737-766012

MATERIAL COMPOSITE

FINISH CLEAN

DRAWN C.A.M.J.

APPD. RWT

TITLE STEPPING MOTOR

DRWG. No. FMJ7301CH

FORM: A4DRWGH