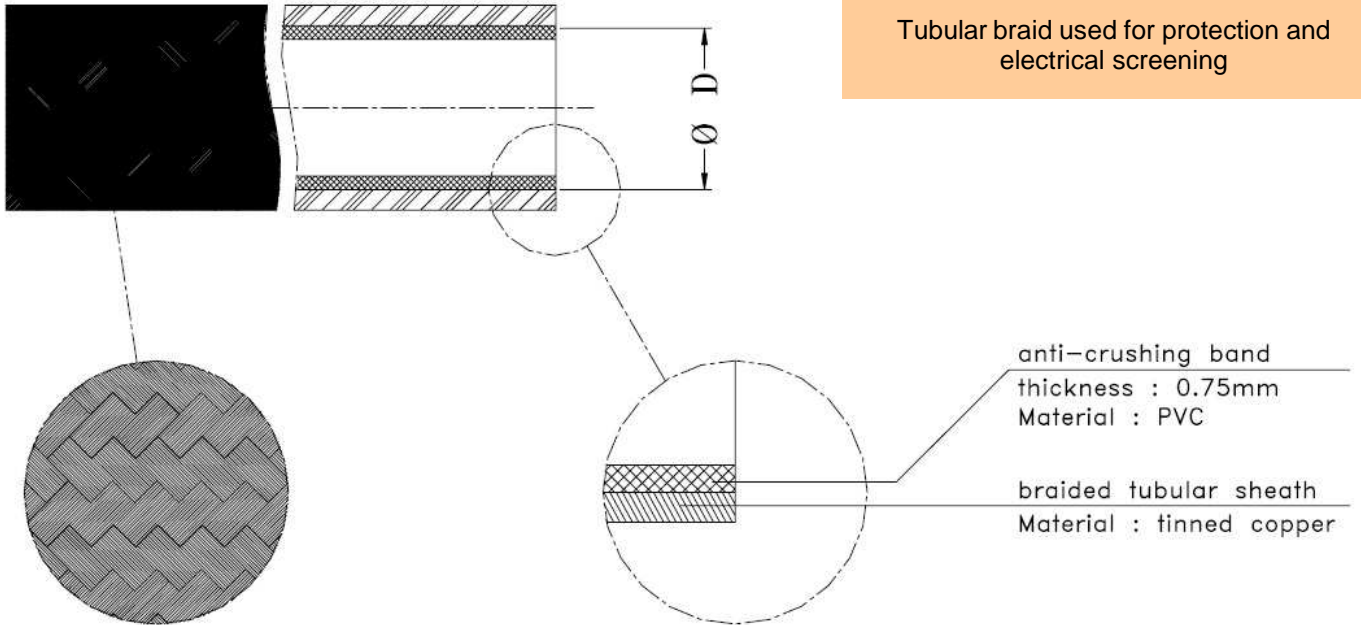




TECHNICAL DATASHEET

HEGTB5 - Electrical and thermal insulating sleeving



CHARACTERISTICS

Construction

- Main products: refer to table

Physical-chemical

- Continuous working temperatures :
-40°C to +155°C
- Good resistance to usual automotive chemical atmospheres.

PRODUCTS

The sheath is braided on an easy removable polyolefin or PVC tube

PACKAGING

Roll of 10m

HANDLING

No special conditions

EMI REQUIREMENTS

- Optical covering : > 95%
- Shielding effectiveness from 50 to 95dB according diameter and frequencies.



TECHNICAL DATASHEET

APPLICATIONS

- Interference suppression, earth, ground wire, sheathing of cable bundles.
- Mechanical protection of cable bundles.

STANDARDS or SPECIFICATION

Construction according to VG 96936-10/type A

UNS	Designation	Nominal diameter (mm)	Maximal diameter in use (mm)	Resistance at 20°C as supplied (mΩ/m)	Individual strand size (mm)	Nb of ends per carrier	Nb of carriers	Minimum coverage (%)	Approx Weight without tube (g/m)
912-26233	HEGTB530	3	5	17	0.10	10	16	98.9	13
912-26234	HEGTB540	4	7.5	10.3	0.13	6	28	98.7	22
912-26235	HEGTB560	6	9.5	8.15	0.13	9	24	96.3	30
912-26236	HEGTB575	7.5	14	5.20	0.13	12	28	99.5	44.5
912-26237	HEGTB5100	10	22	3.96	0.13	9	48	99.0	57.5
912-26238	HEGTB5125	12.5	24	3.23	0.13	12	48	99.0	71.5
912-26239	HEGTB5200	20	38	2.32	0.13	12	64	98.0	105

All dimensions in mm. Subject to technical changes.