

2-160977-2 ✓ ACTIVE

AMP-TY

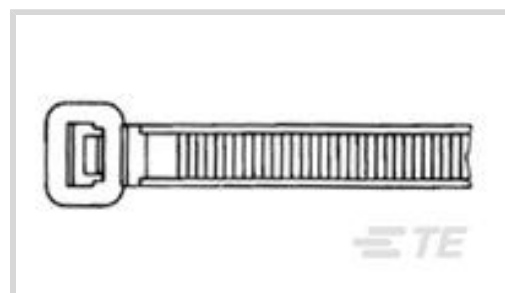
TE Internal #: 2-160977-2

Standard Cable Tie, Bag, 49.5 lbf Tensile Strength, 220 Newton Tensile Strength, 290 mm [11.4 in] Length, 4.8 mm [.189 in] Width, Black

[View on TE.com >](#)



Wire & Cable > Wire & Cable Accessories > Cable Ties



Cable Tie Style: **Standard**

Packaging Method: **Bag**

Tensile Strength: **220 Newton**

Product Length: **290 mm [11.4 in]**

Features

Product Type Features

Cable Tie Style	Standard
Tensile Strength	220 Newton

Body Features

Primary Product Color	Black
Primary Product Material	Polyamide 6.6 GF

Dimensions

Compatible Cable Bundle Diameter Range	79 mm[3.11 in]
Product Length	290 mm[11.4 in]
Product Width	4.8 mm[.189 in]
Product Thickness	1.3 mm[.051 in]

Packaging Features

Packaging Method	Bag
Packaging Quantity	100

Product Compliance

[For compliance documentation, visit the product page on TE.com>](#)

EU RoHS Directive 2011/65/EU	Compliant
EU ELV Directive 2000/53/EC	Compliant
China RoHS 2 Directive MIIT Order No 32, 2016	No Restricted Materials Above Threshold



EU REACH Regulation (EC) No. 1907/2006

Current ECHA Candidate List: JAN 2025 (247)

Candidate List Declared Against: JUNE 2024 (241)

Does not contain REACH SVHC

Halogen Content

Not Low Halogen - contains Br or Cl > 900 ppm.

Solder Process Capability

Not applicable for solder process capability


Product Compliance Disclaimer

This information is provided based on reasonable inquiry of our suppliers and represents our current actual knowledge based on the information they provided. This information is subject to change. The part numbers that TE has identified as EU RoHS compliant have a maximum concentration of 0.1% by weight in homogenous materials for lead, hexavalent chromium, mercury, PBB, PBDE, DBP, BBP, DEHP, DIBP, and 0.01% for cadmium, or qualify for an exemption to these limits as defined in the Annexes of Directive 2011/65/EU (RoHS2). Finished electrical and electronic equipment products will be CE marked as required by Directive 2011/65/EU. Components may not be CE marked. Additionally, the part numbers that TE has identified as EU ELV compliant have a maximum concentration of 0.1% by weight in homogenous materials for lead, hexavalent chromium, and mercury, and 0.01% for cadmium, or qualify for an exemption to these limits as defined in the Annexes of Directive 2000/53/EC (ELV). Regarding the REACH Regulation, the information TE provides on SVHC in articles for this part number is based on the latest European Chemicals Agency (ECHA) 'Guidance on requirements for substances in articles' posted at this URL: <https://echa.europa.eu/guidance-documents/guidance-on-reach>


Compatible Parts



TE Part # 1-2186586-3
K65-CARRIER-21



TE Part # 044474-000
CM-SCE-2.5K-1/4-6H-9



TE Part # 3136910001
CM-SCE-2.5K-1/4-4H-9



TE Part # EC6461-000
13611407



TE Part # CAT-T3437-C6298
CM-SCE-TP Military Grade Markers



TE Part # CAT-T3437-H85999
High Temperature Markers, HTCMSCE-TP



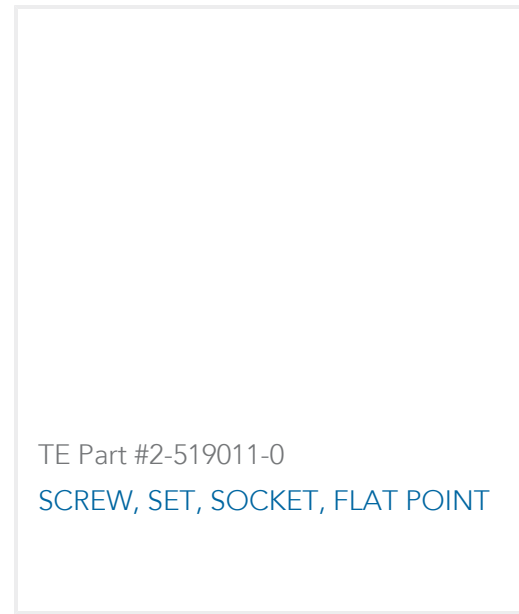
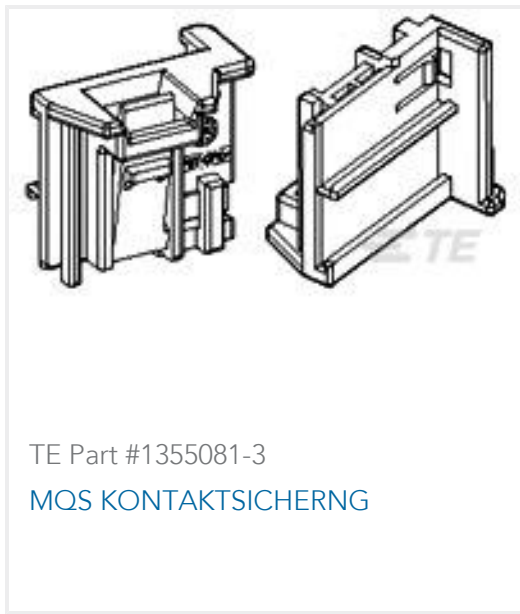
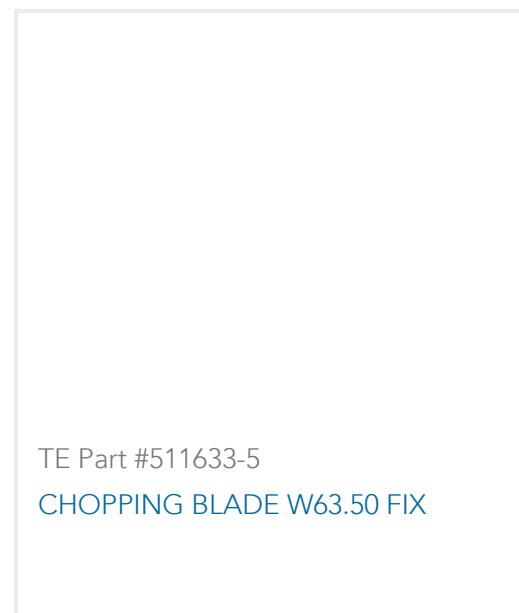
TE Part # EC6553-000
13611934



TE Part # EC6549-000
13611930



Customers Also Bought





Documents

Product Drawings

[CABLE TY 290X4.8 BLA](#)

English

Datasheets & Catalog Pages

[Connectivity Solutions for Industrial Applications](#)

English

[CABLE TIES](#)

English