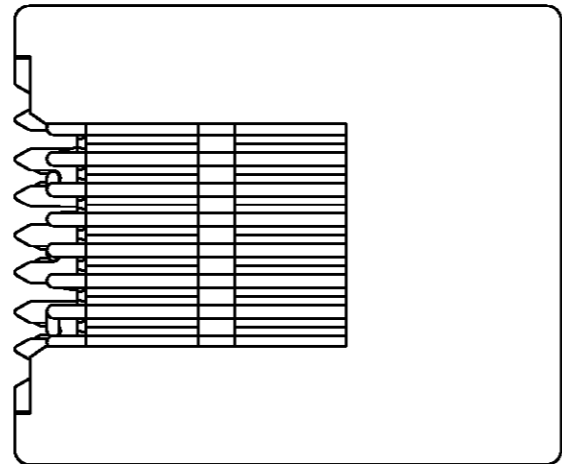
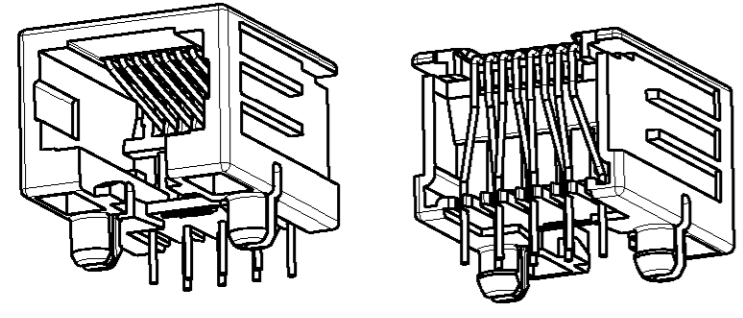
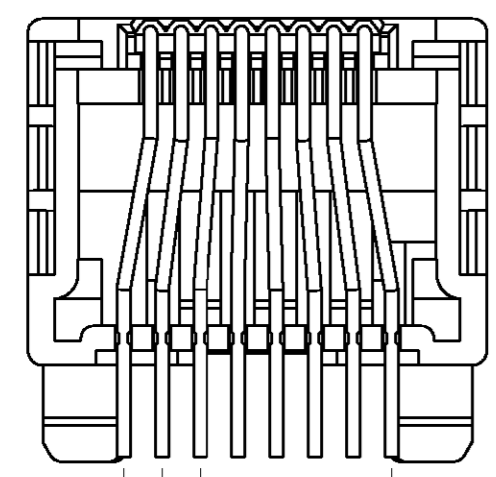


THIS DRAWING IS UNPUBLISHED. RELEASED FOR PUBLICATION DATE: -
 © COPYRIGHT 97 By Tyco Electronics Nederland B.V. ALL RIGHTS RESERVED.

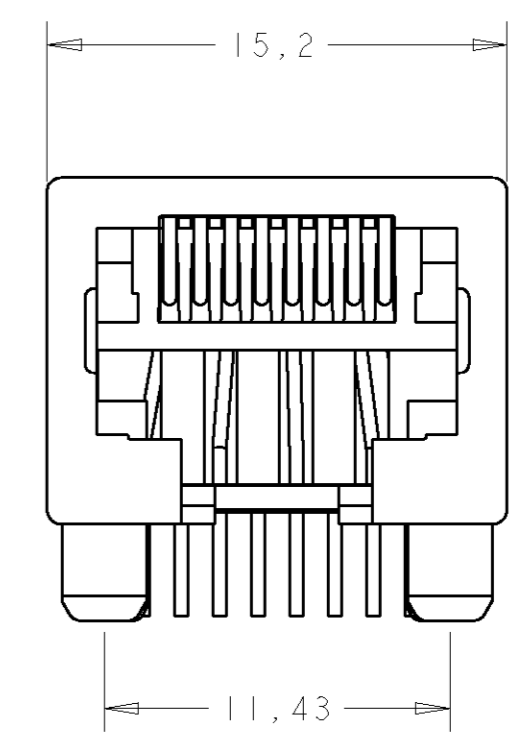
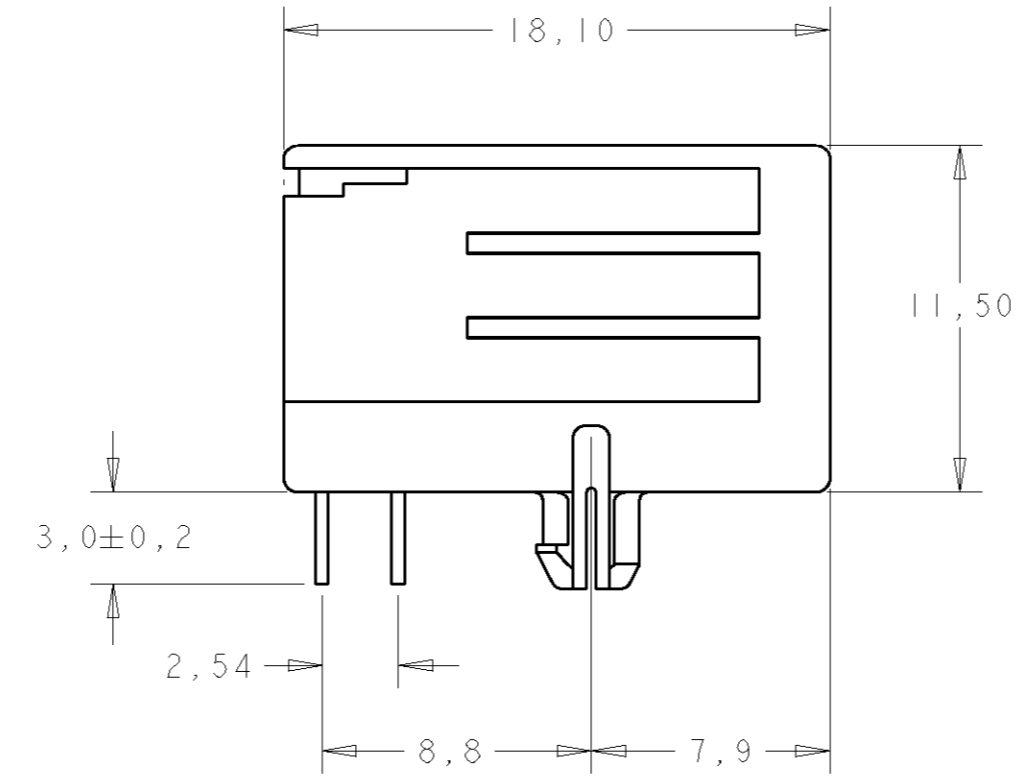
| LOC | DIST | REVISIONS | | | |
|-----|------|-----------|--------------|-----------|------|
| | | LTR | DESCRIPTION | DATE | APVD |
| H | - | A | EH10-0183-05 | 10 FEB 05 | JB |
| | | - | - | - | - |
| | | - | - | - | - |
| | | - | - | - | - |



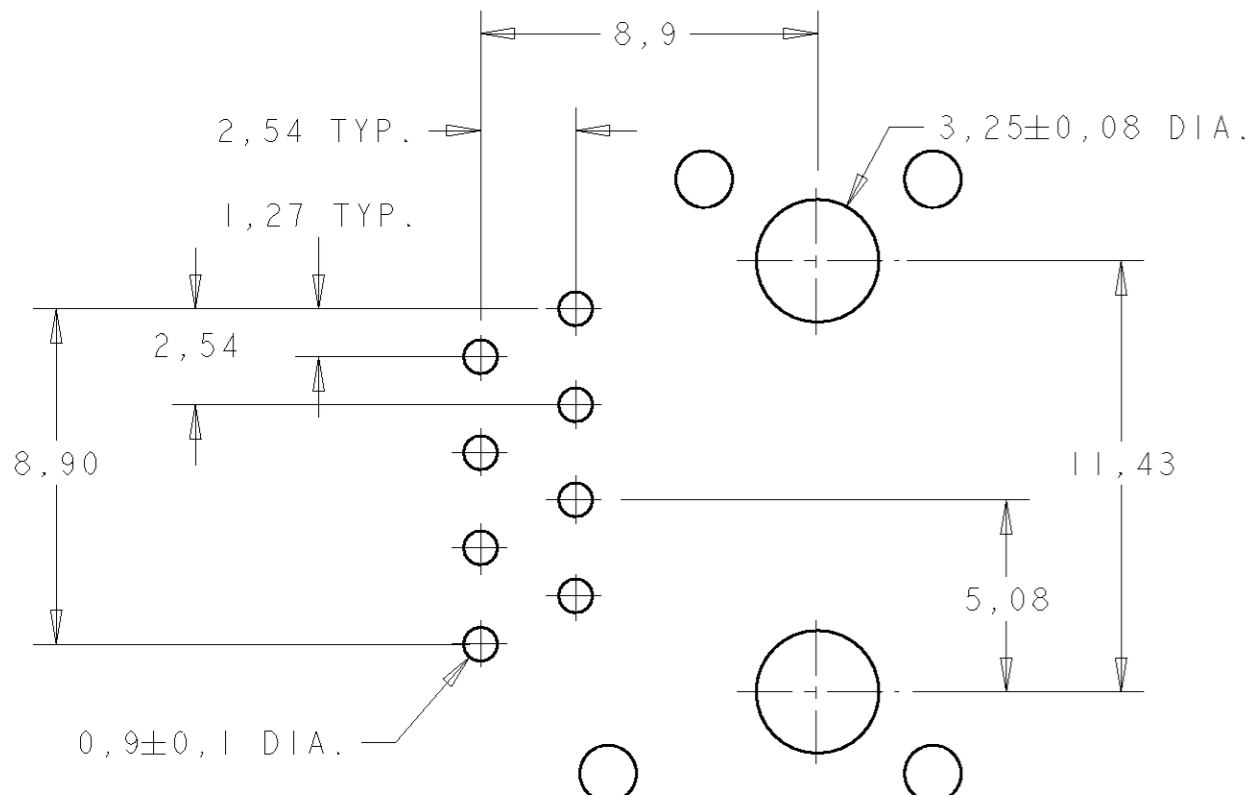
NOTE:
 1 TOLERANCE UNLESS OTHERWISE SPECIFIED: ±0,15.



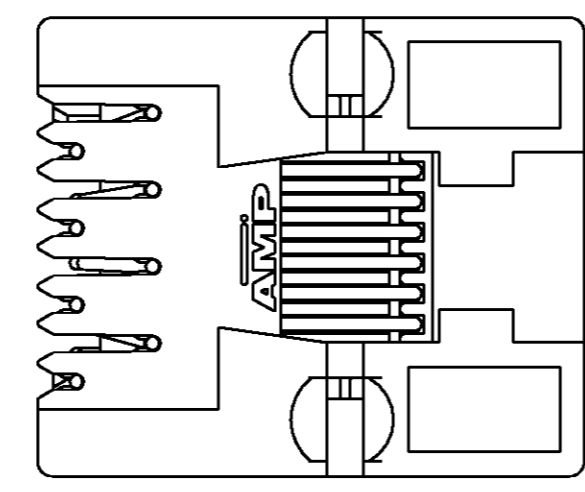
2,54
 1,27 TYP.
 8,9



15,2
 11,43



PRINTED CIRCUIT BOARD LAYOUT
 [VIEW SHOWN IS CIRCUIT (NONCOMPONENT) SIDE OF BOARD.]
 PRINTED CIRCUIT BOARD THICKNESS: 1,6 mm NOMINAL.
 TOLERANCE UNLESS OTHERWISE SPECIFIED: ±0,05



| | | | | |
|-------------------------------|---------------------|--|---|--------------|
| 200 PIECES IN A TRAY | | IN CONTACT AREA: 0,15µm MIN. SEL: GOLD OVER 1,2µm MIN. NICKEL. | HOUSING COLOR: BLACK PBT: UL 94V-0 | 1-1705951-1 |
| TAPE MOUNTED 700 PCS./REEL | 8 POS. / 8 CONTACTS | SOLDER FINISH: 2,5µm MIN. TIN OVER 1,2µm MIN. NICKEL. | CONTACT INSERT: PBT: UL 94V-0 CONTACTS: PH BRONZE | 1705951-1 |
| PACKAGING | REMARKS | FINISH | MATERIAL | ORDER NUMBER |

THIS DRAWING IS A CONTROLLED DOCUMENT FOR Tyco Electronics Nederland B.V.
 IT IS SUBJECT TO CHANGE AND THE CONTROLLING ENGINEERING ORGANIZATION SHOULD BE CONTACTED FOR THE LATEST REVISION.

| | |
|-------------|--|
| DIMENSIONS: | TOLERANCES UNLESS OTHERWISE SPECIFIED: |
| mm | |
| 0 PLC | ± - |
| 1 PLC | ± - |
| 2 PLC | ± - |
| 3 PLC | ± - |
| 4 PLC | ± - |
| ANGLES | ± 0,2° |
| MATERIAL | FINISH |

| | | | | |
|------------------|---------------|---|-----------|--------------------|
| DWN | J.V.D.HEIJDEN | Tyco Electronics Nederland B.V. 's-HERTOGENBOSCH, THE NETHERLANDS | | |
| CHK | P.WILLEMS. | | | |
| APVD | J.BROEKSTEEG. | | | |
| PRODUCT SPEC | - | | | |
| APPLICATION SPEC | 114-19019 | NAME | | |
| WEIGHT | - | MODULAR JACK SIDE ENTRY, 8 POS., FOR PRINTED CIRCUIT BOARD. | | |
| | | SIZE | CAGE CODE | DRAWING NO |
| | | A2 | 00779 | 1705951 |
| | | SCALE | 4:1 | SHEET 1 OF 1 REV A |