

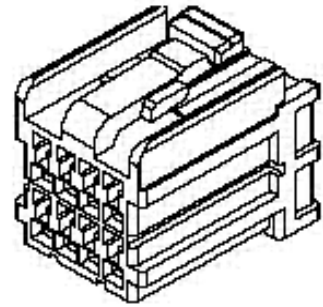
Part Number : [640021215](#)

Product Description : 2.50mm Pitch, Wire-to-Board Housing, Female, 12 Circuits, UL94HB, Gray with White TPA

Series Number : 64002

Status : Obsolete

Product Category : Connector Housings



Documents & Resources

Specifications

[PK-64002-001-001.pdf](#)

[PS-104000-001-013.pdf](#)

Product Environment Compliance

Compliance

GADSL/IMDS	Compliant
China RoHS	Not Relevant
EU ELV	Compliant per 2000/53/EC
Low-Halogen Status	Low-Halogen per IEC 61249-2-21
REACH SVHC	Not Contained per D(2025)4165-DC (25 June 2025)
EU RoHS	Compliant per EU 2015/863

Compliance Statements

- EU RoHS
- REACH SVHC
- Low-Halogen

Industry Documents

- IPC 1752A Class C
- IPC 1752A Class D
- Molex Product Compliance Declaration
- IEC-62474
- chemSHERPA (xml)

Substances of Interest

- PFAS

EU RoHS Certificate of Compliance

Additional Product Compliance Information

Part Details

General

Status	Obsolete
Category	Connector Housings
Series	64002
Description	2.50mm Pitch, Wire-to-Board Housing, Female, 12 Circuits, UL94HB, Gray with White TPA
Application	Power, Wire-to-Board
Product Name	N/A
UPC	756054579169

Physical

Circuits (maximum)	12
Color - Resin	Gray, Natural
Gender	Receptacle
Glow-Wire Capable	No
Keying to Mating Part	N/A
Lock to Mating Part	None
Material - Resin	Polyester
Net Weight	2.960/g
Number of Rows	2
Packaging Type	Bag
Panel Mount	No
Pitch - Mating Interface	2.50mm
Pitch - Termination Interface	2.50mm
Polarized to Mating Part	Yes
Ports	1
Stackable	No
Temperature Range - Operating	-30° to +85°C

Mates With / Use With

Mates with Part(s)

Description	Part Number
2.50mm Pitch Wire-to-Board Headers	<u>68145</u>
2.50mm Pitch Wire-to-Board Headers	<u>68151</u>

Use with Part(s)

Description	Part Number
1.01mm Tab-Type Female Crimp Terminals	<u>50654</u>

This document was generated on Aug 11, 2025

Obsolete