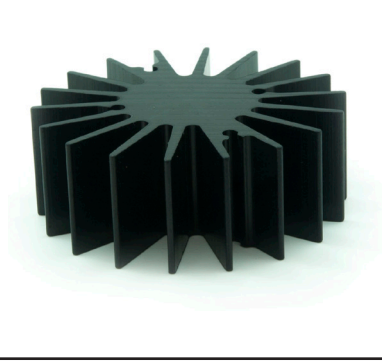
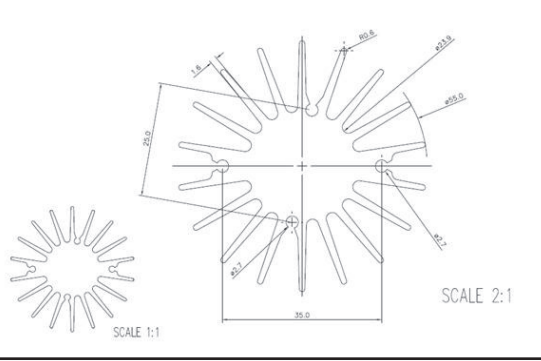
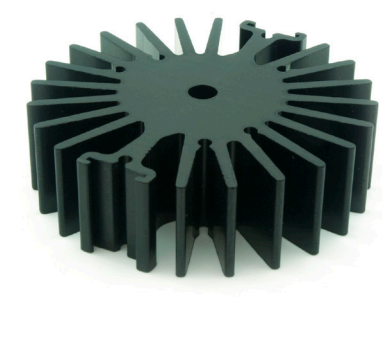
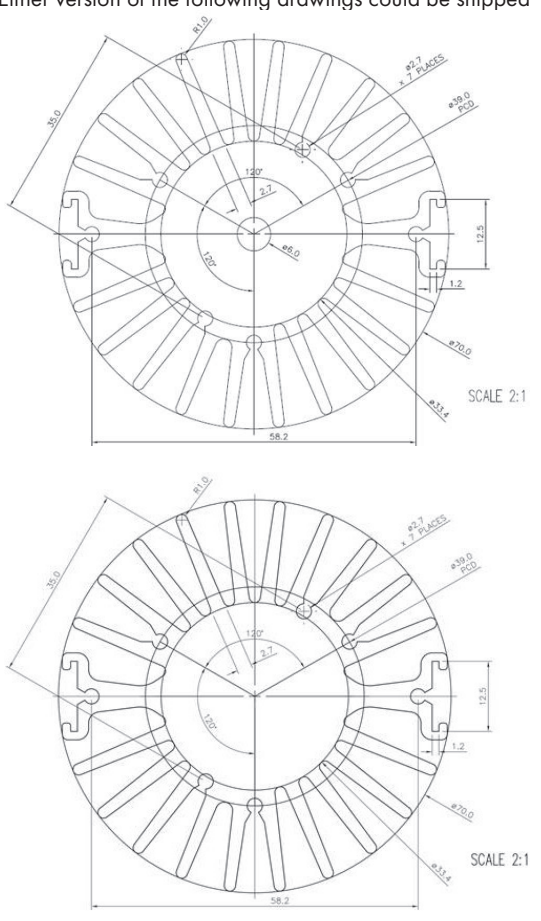


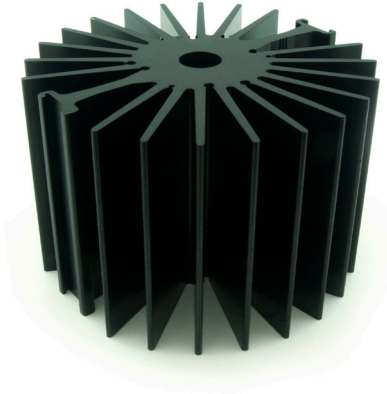
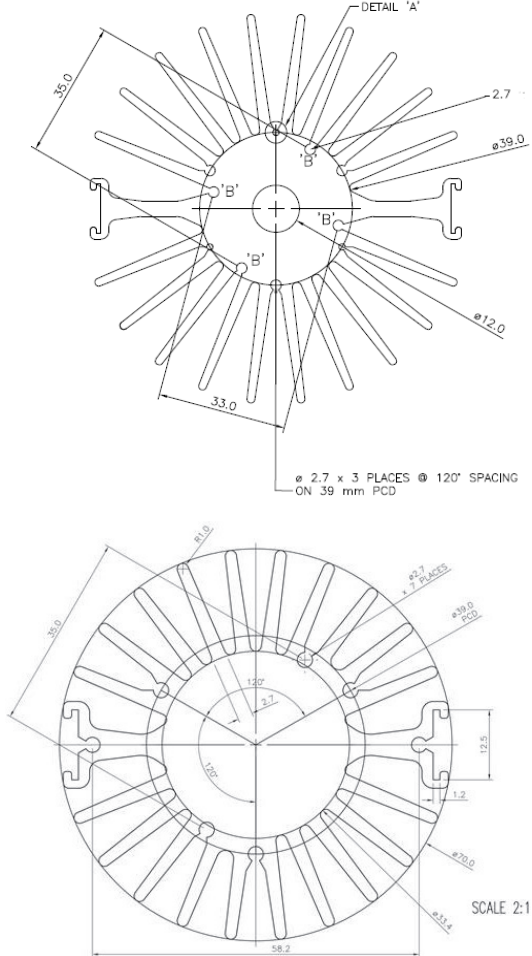

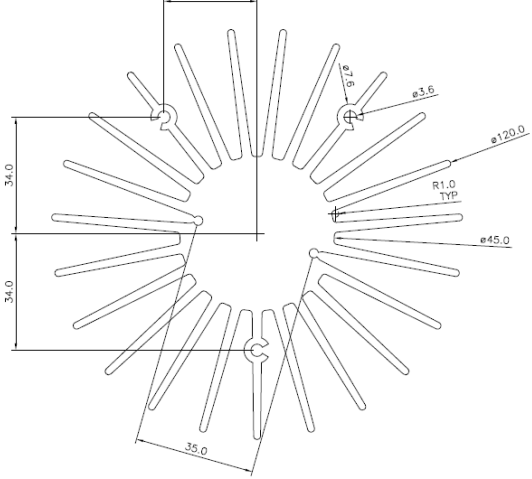
Radial SCOB Heat Sinks

ILA-HSINK-RADL-XXXXXXXMM-BLK

Product Overview

ILS has a series of Aluminium Alloy Heat Sinks to be used with our standard range of SCOB (Surface Mount Chip on Board) and are Zhaga compliant. As a standard these Heat Sinks are available in black. More versions will be introduced in the coming months and we are also happy to manufacture custom Heat Sinks to your request.

| Radial Heat Sink | Photo | Drawing |
|----------------------------|---|---|
| ILA-HSINK-RADL-55X##MM-BLK |  |  |
| ILA-HSINK-RADL-70X##MM-BLK |  | Either version of the following drawings could be shipped  |

| Radial Heat Sink | Photo | Drawing |
|------------------------------|---|--|
| ILA-HSINK-RADL-100X##MM-BLK |  | <p>Either version of the following drawings could be shipped</p>  |
| ILA-HSINK-RADL-120X###MM-BLK |  |  |

Product Options S8, S10 SCOBs

| ILS Product | ILA-HSINK-RADL-55X20MM-BLK | ILA-HSINK-RADL-70X20MM-BLK | ILA-HSINK-RADL-70X70MM-BLK | ILA-HSINK-RADL-100X65MM-BLK | ILA-HSINK-RADL-100X80MM-BLK | ILA-HSINK-RADL-120X150MM-BLK |
|-----------------------|----------------------------|----------------------------|----------------------------|-----------------------------|-----------------------------|------------------------------|
| ILO-01TTx-09xx-xC211. | Red | Green | Green | Green | Green | Green |
| ILO-01FFx-13xx-xC211. | Green | Green | Green | Green | Green | Green |
| ILO-04FFx-13xx-xP211. | Red | Red | Green | Green | Green | Green |
| ILO-05FFx-13x-xP211. | Red | Red | Green | Green | Green | Green |
| ILO-01TTx-13xx-xC211. | Red | Green | Green | Green | Green | Green |
| ILO-03FFx-19xx-xC211. | Red | Green | Green | Green | Green | Green |
| ILO-04FFx-19xx-xC211. | Red | Red | Green | Green | Green | Green |
| ILO-04TTx-23xx-xP211. | Red | Red | Red | Green | Green | Green |
| ILO-09FFx-23xx-xC211. | Red | Red | Red | Green | Green | Green |
| ILO-05FFx-23xx-xC211. | Red | Red | Green | Green | Green | Green |
| ILO-12FFx-23xx-xP211. | Red | Red | Red | Red | Green | Green |
| ILO-16FFx-33xx-xP211 | Red | Red | Red | Red | Green | Green |
| ILO-26FFx-33xx-xP211. | Red | Red | Red | Red | Red | Green |

| | |
|--------|---|
| Green | Operates under the recommended ILS junction temperature |
| Yellow | Operates under the recommended LED maximum junction temperature |
| Red | Not suitable for use |
| N/A | Heat Sink not designed for use with this product |

For further information please contact ILS.

The values contained in this data sheet can change due to technical innovations. Any such changes will be made without separate notification.