



Brand of NTN Group

Technical data

MUCPPL206

Bearing units

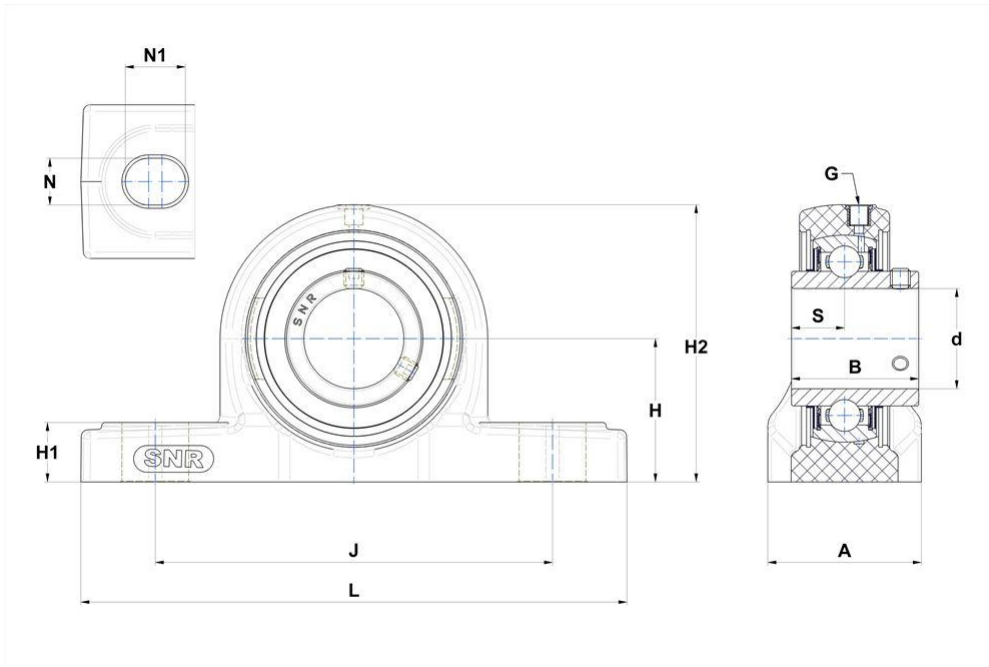


Thermoplastic housing, stainless steel insert ball bearing with socket set screws, seal with slinger, food grease

KIT CONTENT

MUC206FD, PPL206

VISUAL (S)



PRODUCT DEFINITION

Brand	SNR
A - Housing width	46 mm
A1 - Housing top width	27 mm
B - Width of Inner Ring	38,1 mm
d - Shaft diameter	30 mm



NTN Europe

1 rue des Usines · BP 2017 · 74010 Annecy Cedex · France · Tel. +33 (0)4 50 65 30 00
S.A. au capital de 322 639 919 € · RCS ANNECY B 325 821 072 · Id. Fiscale : FR 48 325 821 072
SIRET 325 821 072 00015 · Code APE 2815 Z · Code NACE 28.15

PRODUCT DEFINITION

G - Grease fitting	1/4-28 UNF
H - Distance mounting base to centerline spheric. seating diam.	42,9 mm
H1 - Housing foot height	17,8 mm
H2 - Housing height	83 mm
J - Mounting holes distance	119 mm
L - Housing length	162 mm
N - Mounting hole dimension	14 mm
N1 - Mounting hole length	18 mm
S - Distance front side/bearing centre	15,9 mm

PRODUCT PERFORMANCE

C - Dynamic load rating	16700000 mN
C0 - Static load rating	9000000 mN
Operating temperature min.	253,15 °K
Operating temperature max.	373,15 °K

OTHER FEATURES

Mass	0,54 kg
Recommended tightening torque for set screw	3.9 N-m

