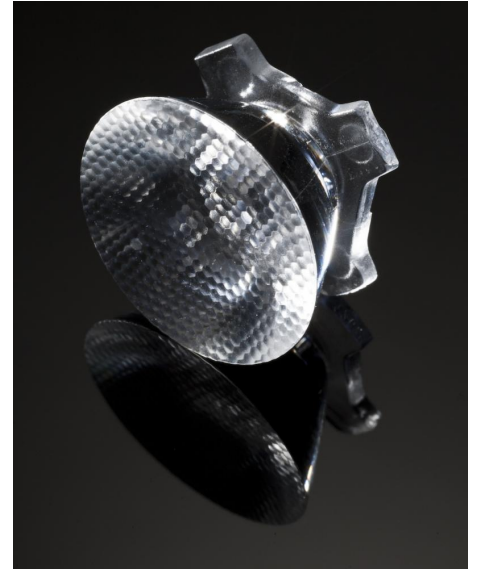


DETAILS

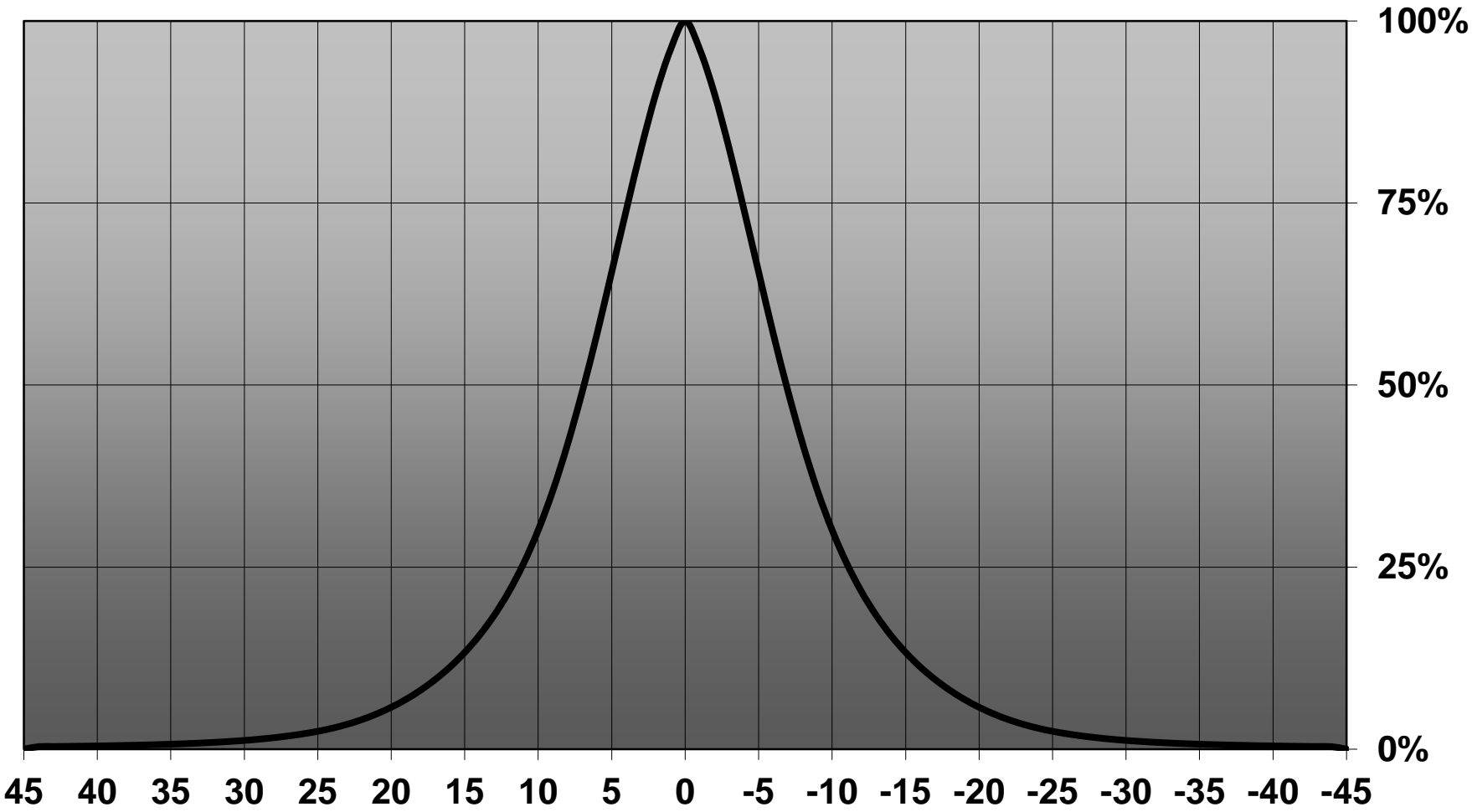
| | |
|------------------------|------------------|
| Product Number | CA12443_HEIDI-SS |
| Family | Heidi |
| Type | Assembly |
| Color | clear |
| Diameter | 21,6 mm |
| Height | 11,7 mm |
| Style | round |
| Optic Material | PMMA |
| Holder Material | |
| Fastening | pin, tape |
| Status | ready |
| ROHS Compliant | Yes |
| Date Updated | 7/08/2015 |



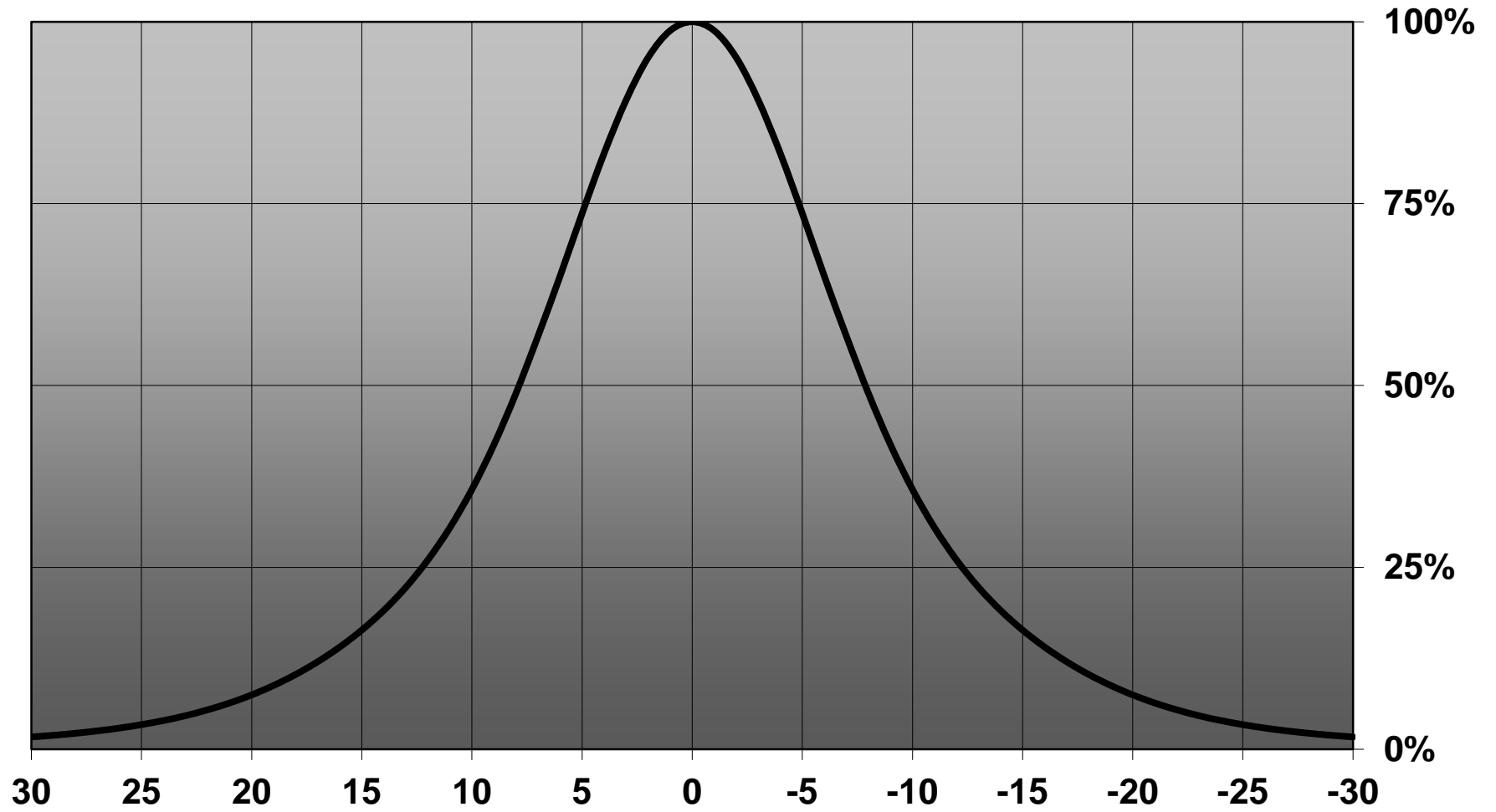
OPTICAL PROPERTIES

| LED | Viewing | Light | Effi- | cd/lm | Connector |
|-----------------|---------|---------------|--------|--------|-----------|
| | Angle | Beam | ciency | | |
| Oslon SSL 150 | 12 deg | Smooth spo... | .91 % | 11.700 | - |
| LUXEON Rebel ES | 14 deg | Smooth spo... | .91 % | 6.300 | - |
| LUXEON Rebel | 14 deg | Smooth spo... | .89 % | 8.700 | - |
| LUXEON R | 16 deg | Smooth spo... | .91 % | 6.260 | - |

Relative intensity of CA12443_HEIDI-SS-RE-ES



Relative intensity of CA12443_HEIDI-SS_(Luxeon_R)



D

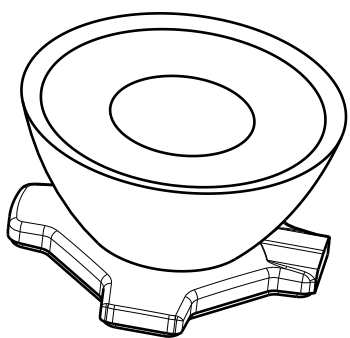
C

B

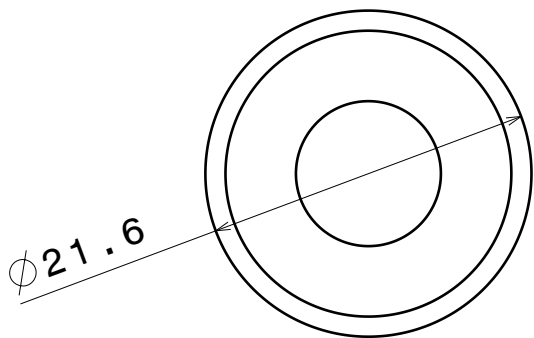
A

4

4



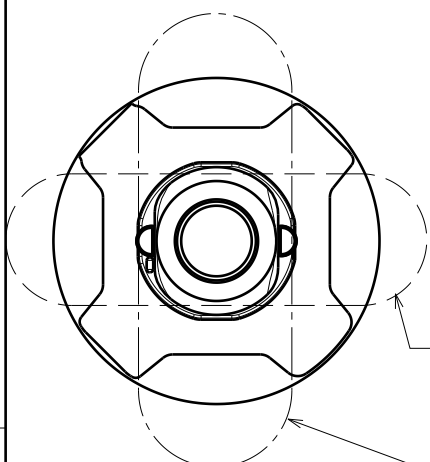
Isometric view



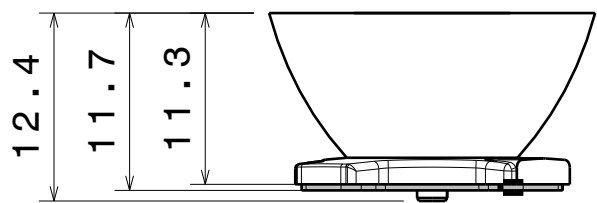
Top view

3

3



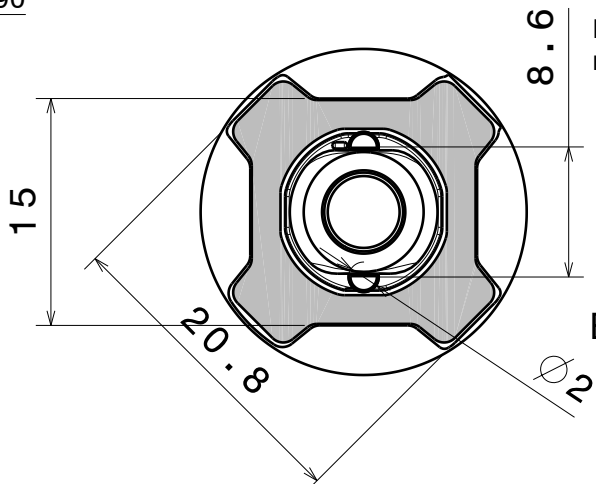
Bottom view
OVAL BEAM direction



Front view

2

2



Bottom view

Material:
 Lens PMMA
 Tape PU Foam

This drawing is our property.
 It can't be reproduced
 or communicated without
 our written agreement.



Ledil Oy
 Salorankatu 10
 FIN-24100 SALO
 Finland

DRAWING TITLE
Datasheet Heidi-Series Assy

DRAWN BY
 ah

DATE
 1.2.2012

CHECKED BY

DATE

SIZE
 A4

DRAWING NUMBER

REV
 2

DESIGNED BY

DATE

SCALE 2:1

WEIGHT (g)

SHEET

1/1

D

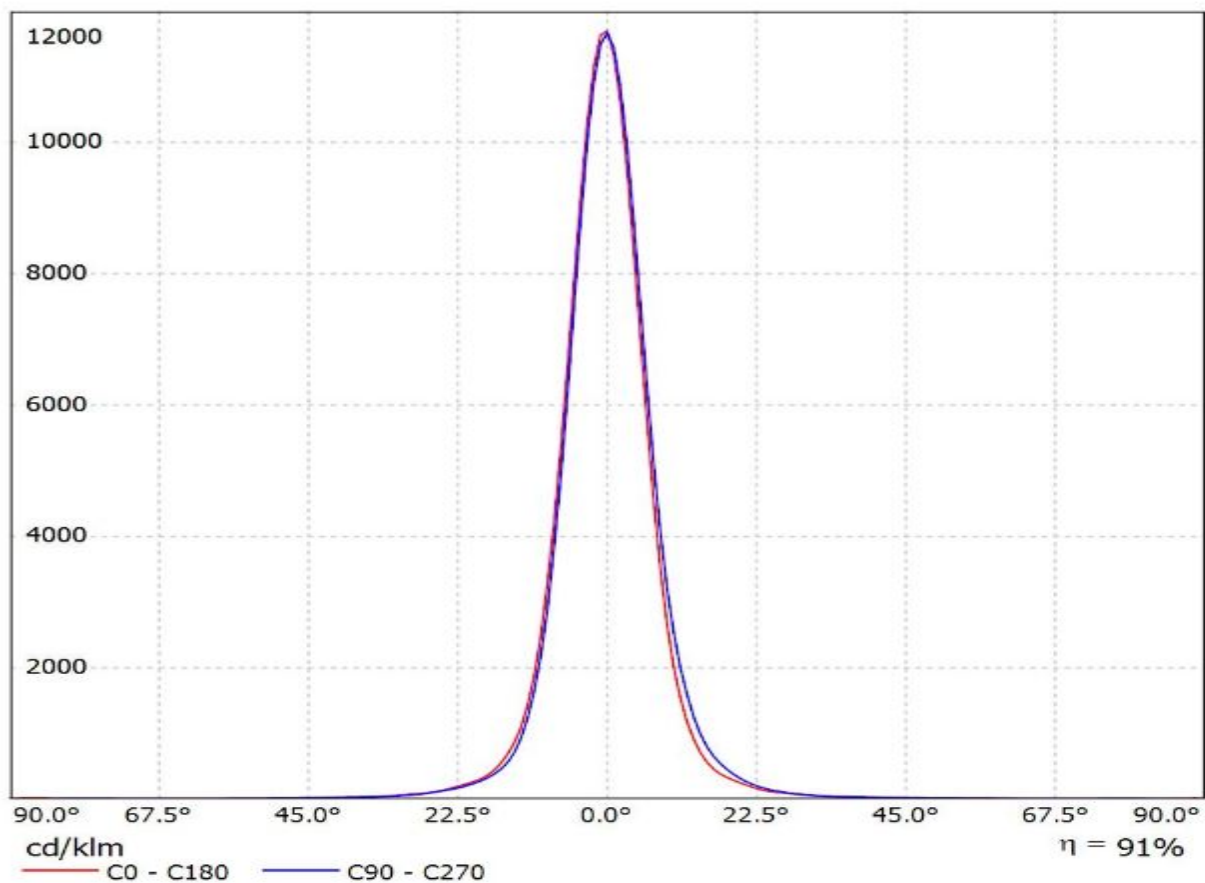
A

1

1

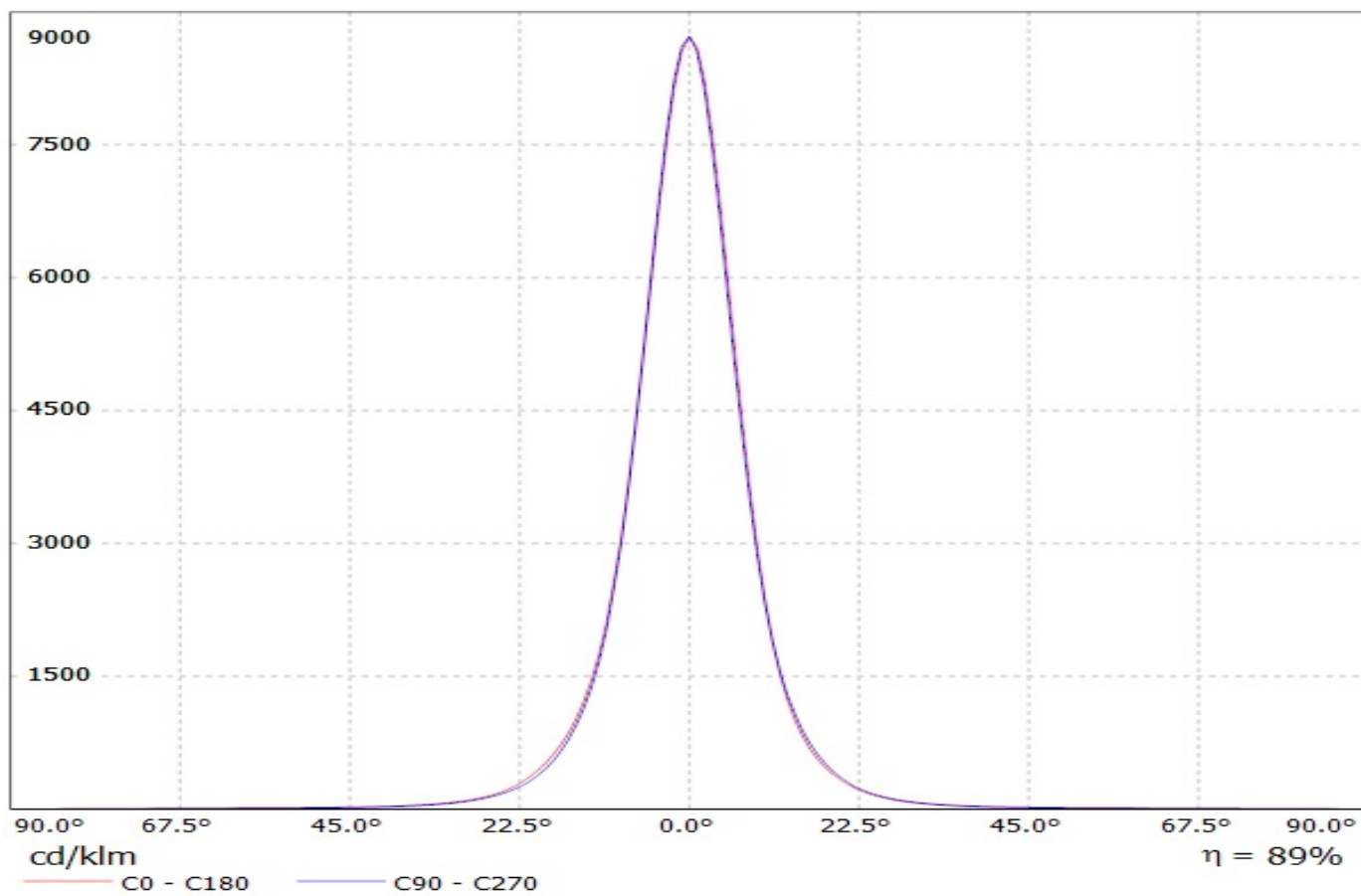
Luminaire: Ledil CA12443_HEIDI-SS_(SS_150)

Lamps: 1 x Oslon_SSL_150_(LCW_CRDP_EC-LPLR-5H7I-1)_90.8691lm@250mA_CCT=3747K_P=0.7484W_I=0.250mA



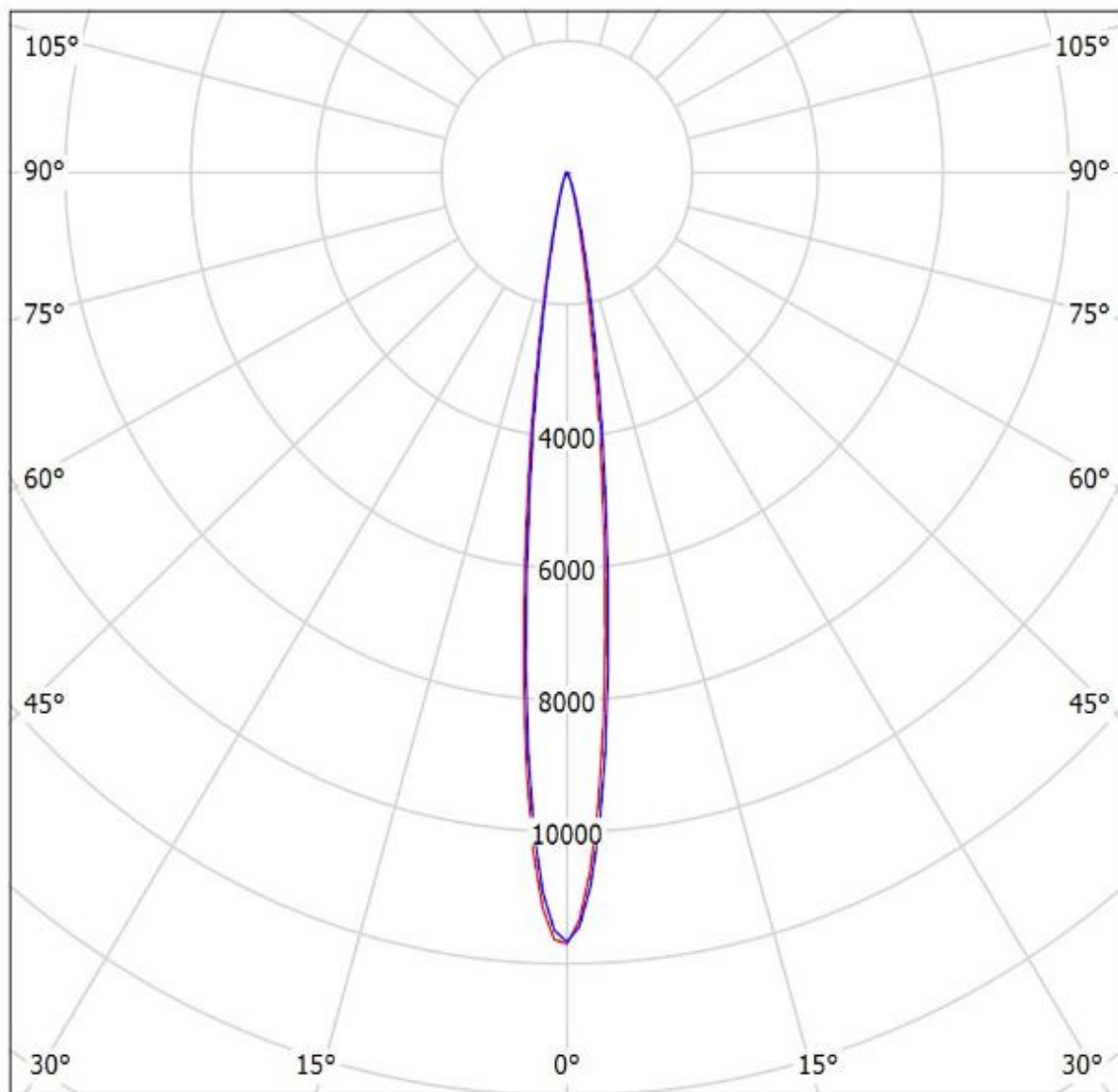
Luminaire: LEDiL Oy CA12443_HEIDI-SS_(Luxeon_Rebel)

Lamps: 1 x Luxeon_Rebel_(LXM8-PW30)_61.6509lm@250mA_P=0.728_I=250mA



Luminaire: Ledil CA12443_HEIDI-SS_(SS_150)

Lamps: 1 x Oslon_SSL_150_(LCW_CRDP_EC-LPLR-5H7I-1)_90.8691lm@250mA_CCT=3747K_P=0.7484W_I=0.250mA



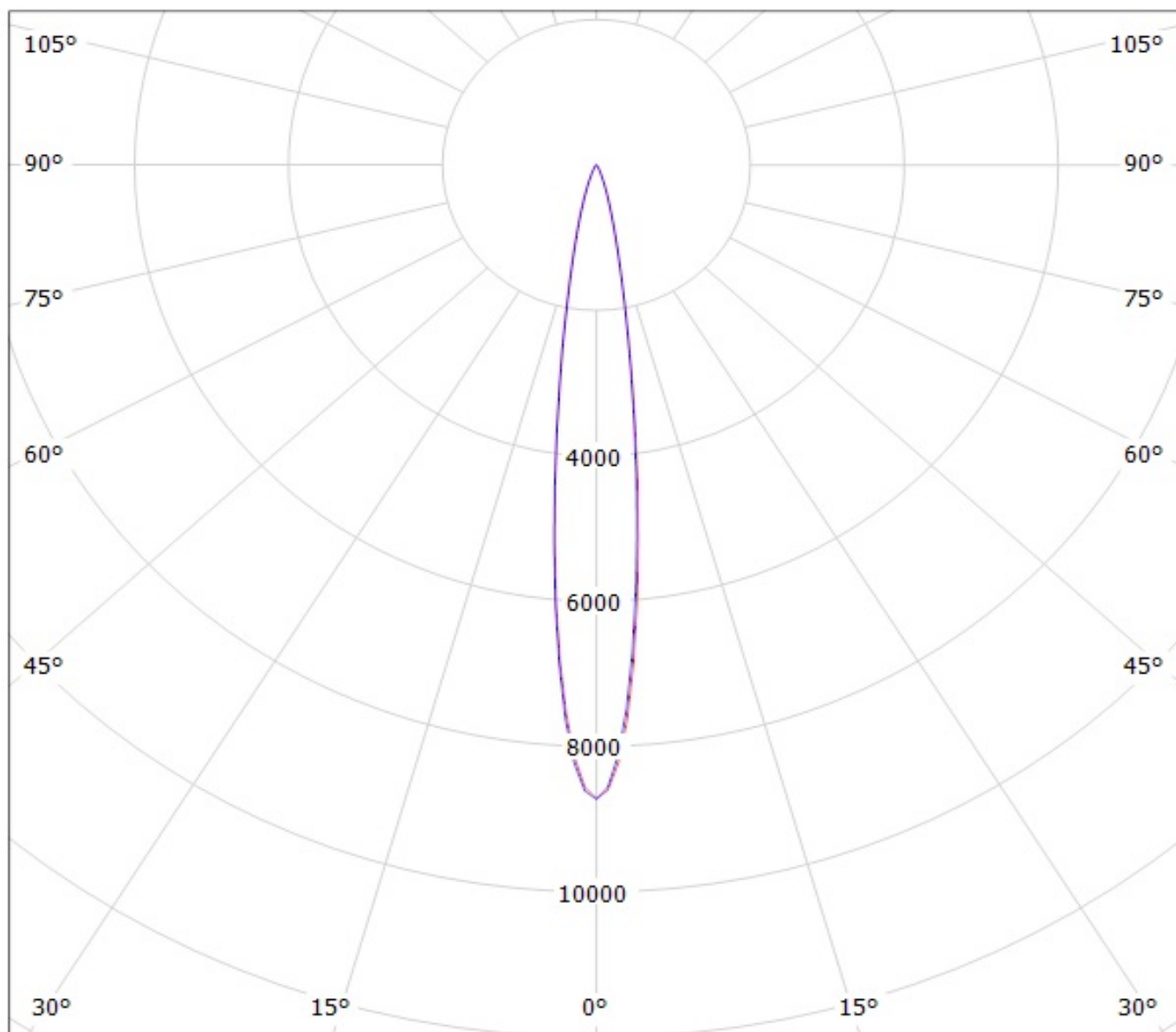
cd/klm

— C0 - C180 — C90 - C270

$\eta = 91\%$

Luminaire: LEDiL Oy CA12443_HEIDI-SS_(Luxeon_Rebel)

Lamps: 1 x Luxeon_Rebel_(LXM8-PW30)_61.6509lm@250mA_P=0.728_I=250mA



cd/klm

— C0 - C180

— C90 - C270

$\eta = 89\%$

NOTE: The typical divergence will be changed by different color, chip size and chip position tolerance. The typical total divergence is the full angle measured where the luminous intensity is half of the peak value.