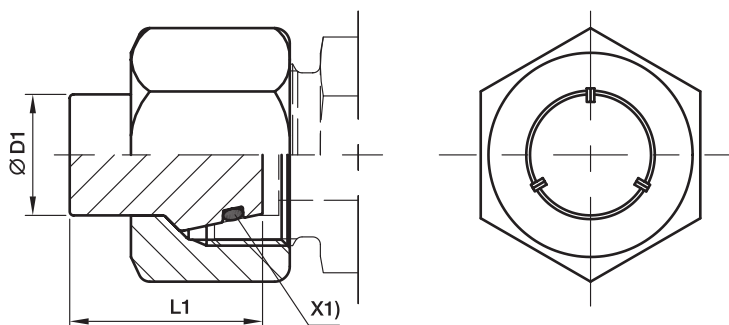


## VKAM Blanking plug with nut for cone

EO 24° DKO swivel



X1) O-ring OR

Series	D1 	L1	Weight g/1 piece	Order code*	PN (bar) <sup>1)</sup>		
					CF	A3C	71
L <sup>3)</sup>	06	18.5	15	<b>VKAM06L</b>	500	315	315
	08	18.5	24	<b>VKAM08L</b>	500	315	315
	10	20.0	33	<b>VKAM10L</b>	500	315	315
	12	20.5	46	<b>VKAM12L</b>	400	315	315
	15	20.5	73	<b>VKAM15L</b>	400	315	315
	18	22.5	111	<b>VKAM18L</b>	400	315	315
	22	25.0	162	<b>VKAM22L</b>	250	160	160
	28	25.5	220	<b>VKAM28L</b>	250	160	160
	35	30.0	376	<b>VKAM35L</b>	250	160	160
	42	30.0	558	<b>VKAM42L</b>	250	160	160
S <sup>4)</sup>	06	18.5	23	<b>VKAM06S</b>	800	630	630
	08	18.5	29	<b>VKAM08S</b>	800	630	630
	10	20.0	46	<b>VKAM10S</b>	800	630	630
	12	20.5	55	<b>VKAM12S</b>	630	630	630
	14	22.5	83	<b>VKAM14S</b>	630	630	630
	16	23.5	106	<b>VKAM16S</b>	630	400	400
	20	28.5	180	<b>VKAM20S</b>	420	400	400
	25	29.0	322	<b>VKAM25S</b>	420	400	400
	30	30.5	398	<b>VKAM30S</b>	420	400	400
	38	33.0	647	<b>VKAM38S</b>	420	315	315

1) Pressure shown = item deliverable

3) L = light series; 4) S = heavy series

$$\frac{\text{PN (bar)}}{10} = \text{PN (MPa)}$$

Information on ordering alternative sealing materials see page 17.

 \*Please add the **suffixes** below according to the material/surface required.

Order code suffixes			
Material	Suffix surface and material	Example	Standard sealing material (no additional suffix needed)
Steel, zinc plated, chrome <sup>6</sup> -free	CF	VKAM16SCF	NBR
Steel, zinc yellow plated	A3C	VKAM16SA3C	NBR
Stainless Steel	71	VKAM16S71	VIT